

Multi model application Air Conditioning Technical Data 5MWXM-A9



TABLE OF CONTENTS

5MWXM-A9

1	Features	4
	5MWXM-A9	4
2	Specifications	5
3	Combination table	7
4	Capacity tables	21
	Cooling Capacity Tables	21
	Heating Capacity Tables	39
	Cooling/Heating Capacity Tables	57
5	Dimensional drawings	58
6	Centre of gravity	59
7	Piping diagrams	60
8	Wiring diagrams	61
	Wiring Diagrams - Three Phase	61
9	Sound data	62
	Sound Power Spectrum	62
	Sound Pressure Spectrum	63
10	Operation range	64

1 Features

1 - 1 5MWXM-A9

1

- › Up to 4 indoor units and 1 domestic hot water tank can be connected to 1 multi outdoor unit
- › New design outlook for outdoor unit
- › Seasonal efficiency values up to A+++ in cooling and A++ in heating thanks to its up-to-date technology and built-in intelligence
- › Up to 3 indoor units can be connected to 1 multi outdoor unit; all indoor units are individually controllable and do not need to be installed in the same room or at the same time. They operate simultaneously within the same heating or cooling mode.
- › Different types of indoor units can be connected: e.g. wall mounted, ceiling mounted cassette corner, concealed ceiling unit
- › Outdoor units are fitted with a swing compressor, renowned for its low noise and high energy efficiency



INVERTER

Inverter

2 Specifications

2 - 1 Specifications

Technical specifications				5MWXM68A9		5MWXM90A9	
Refrigerant	Charge	tCO ₂ Eq		1.35		1.62	
Casing	Colour			Ivory white			
Dimensions	Unit	Height	mm	734			
		Width	mm	1,044			
		Depth	mm	408			
	Packed unit	Height	mm	920			
		Width	mm	1,127			
		Depth	mm	480			
Weight	Unit	kg	69		73		
	Packed unit	kg	77		81		
Heat exchanger	Length	mm	920				
	Rows	Quantity	2				
	Fin pitch	mm	1.4				
	Stages	Quantity	32				
	Passes	Quantity	6				
	Tube type		Hi-XD				
	Tube diameter	mm	7.0				
	Fin	Type	WHS8 FIN-HYDROPHILIC				
		Treatment	Anti-corrosion treatment				
	Heat exchanger 2	Quantity		-		1	
Length		mm	-		650		
Rows		Quantity	-		1		
Fin pitch		mm	-		2		
Stages		Quantity	-		12		
Fan	Type		Propeller fan				
	Discharge direction		Horizontal				
	Quantity		1				
	Air flow rate	Cooling	High	m ³ /min	57.0	58.8	
				cfm	2,013	2,079	
			Medium	m ³ /min	52.2	58.8	
			cfm	1,844	2,079		
		Low	m ³ /min	29.5	28.9		
			cfm	1,044	1,021		
	Heating		High	m ³ /min	53.8	60.4	
cfm		1,900		2,134			
Medium		m ³ /min	53.8	60.4			
Fan	Air flow rate	Heating	Medium	cfm	1,900	2,134	
			Low	m ³ /min	29.5	28.9	
			cfm	1,044	1,021		
Fan motor	Quantity		1				
	Model		DFC07A1VA		EHY94EDK		
	Output	W	70		150		
	Speed	Cooling	High	rpm	760	800	
				rpm	700	800	
			Low	rpm		420	
		Heating	High	rpm	720	820	
				rpm		420	
Medium			rpm	720	820		
Compressor	Quantity		1				
	Model		2Y260BPAX1P#C				
	Oil Amount	cm ³	900				
	Type		Hermetically sealed swing compressor				
	Output	W	2,400				
	Oil Type		FW68DA				
Operation range	Cooling	Ambient	Min.	°CDB	-10		
			Max.	°CDB	46		
	Heating	Ambient	Min.	°CDB	-15 (1)		
			Max.	°CDB	24 (1)		
		Cooling	Nom.	dBA	61	64	
				dBA	62	65	
Heating	Nom.	dBA	48	52			
		dBA	49	53			
Refrigerant	Type		R-32				
	Charge	kg	2		2.4		
	Charge	tCO ₂ Eq	1.35		1.62		
	Control		Expansion valve				
	GWP		675				

2 Specifications

2 - 1 Specifications

2

Technical specifications				5MWXM68A9	5MWXM90A9	
Piping connections	Liquid	Quantity		5		
		OD	mm	6.35		
	Gas	Quantity		2	1	
		OD	mm	9.5		
Drain	Quantity		1			
	OD	mm	16 (inner diameter of connecting hose)			
Piping connections	Gas 2	Quantity		2	1	
		OD	mm	12.7		
	Gas 3	Quantity		1	3	
		OD	mm	15.9		
	Piping length	OU - IU	Min.		3 (2)	
			Max.		25 (2)	25 (3)
		System	Chargeless	m	30	
	Additional refrigerant charge				0.02 (for piping length exceeding 30m)	
	Level difference	IU - IU	Max.		15 (3)	15
			Max.		7.5 (3)	
Heat insulation				Both liquid and gas pipes		
Total piping length	System	Actual	m	60	75	
Capacity control	Method			Variable (inverter)		

Standard accessories: Installation manual;Quantity: 1;

Standard accessories: Drain cap;Quantity: 3;

Standard accessories: Drain plug;Quantity: 1;

Standard accessories: Reducer assembly;Quantity: 1;

Standard accessories: Screw bag;Quantity: 2;

Electrical specifications				5MWXM68A9	5MWXM90A9
Power supply	Phase			1~	
	Frequency		Hz	50	
	Voltage		V	220-440	220-240
Wiring connections	For power supply	Quantity		3	
		Remark		Earth wire included	
	For connection with indoor	Quantity		4	
		Remark		Earth wire included	

(1)See separate drawing for operation range |

(2)For one room |

 (3)For one room (for combination with FBA71/100/125 and EKHWT and CKHWS refer to installation manual) |
 Contains fluorinated greenhouse gases

3 Combination table

3 - 1 Combination Table

5MWXM-A9

Notes

- 1) The total capacity of each connected indoor unit is up to 12.5kW.
- 2) The values mentioned in this document are for connecting with the following indoor unit types:
7.1, 10.0, 12.5 kW class
Ceiling-mounted FBA71A9, FBA100A, FBA125A series
- 3) Cooling capacity conditions
Indoor temperature 27°C DB / 19°C WB
Outdoor temperature 35°C DB
- 4) Heating capacity conditions
Indoor temperature 20°C DB
Outdoor temperature 7°C DB / 6°C WB
- 5) It is not allowed to install one indoor unit connection.
Exception is one indoor unit connection of FBA71A9 or FBA100A or FBA125A.

4D157594

5MWXM-A9

Cooling 230V 50Hz

Outdoor unit	Indoor unit	Cooling capacity [kW]				Total capacity [kW]			Power input [kW]			Total current [A]			Power factor [%]
		Room A	Room B	Room C	Room D	Minimum	Nominal	Maximum	Minimum	Nominal	Maximum	Minimum	Nominal	Maximum	
5MWXM68A2V1B9	7.1	6,60	-	-	-	3,05	6,60	6,70	0,51	2,14	2,21	2,40	9,50	9,80	99
	10.0	6,80	-	-	-	3,20	6,80	8,20	0,51	1,79	2,55	2,40	8,20	11,20	99
5MWXM90A2V1B9	7.1	6,80	-	-	-	3,20	6,80	7,40	0,56	1,85	2,16	2,70	8,50	9,90	95
	10.0	8,70	-	-	-	3,43	8,70	10,00	0,59	2,38	3,26	2,90	11,00	15,00	95
	12.5	9,00	-	-	-	3,46	9,00	10,20	0,62	2,48	3,23	3,00	11,40	14,80	95

Heating 230V 50Hz

Outdoor unit	Indoor unit	Heating capacity [kW]				Total capacity [kW]			Power input [kW]			Total current [A]			Power factor [%]
		Room A	Room B	Room C	Room D	Minimum	Nominal	Maximum	Minimum	Nominal	Maximum	Minimum	Nominal	Maximum	
5MWXM68A2V1B9	7.1	7,50	-	-	-	2,19	7,50	10,00	0,43	2,08	3,32	2,00	9,30	14,60	99
	10.0	8,60	-	-	-	2,23	8,60	10,50	0,45	2,16	2,81	2,10	9,60	12,40	99
5MWXM90A2V1B9	7.1	7,50	-	-	-	2,36	7,50	10,70	0,49	1,93	3,58	2,40	8,90	16,40	95
	10.0	9,00	-	-	-	2,38	9,00	11,00	0,47	2,14	2,92	2,30	9,80	13,40	95
	12.5	10,00	-	-	-	2,38	10,00	11,30	0,50	2,49	2,94	2,40	11,40	13,50	95

4D157594

3 Combination table

3 - 1 Combination Table

3
5MWXM68A9
Notes

- 1) The total capacity of each connected indoor unit is up to ·11.0·kW.
- 2) The values mentioned in this document are for connecting with the following indoor unit types:
 - 1.5, 2.0, 2.5, 3.5, 4.2, 5.0, 6.0· kW class
 - Wall-mounted ·CTXA-AW, CTXA-BB, CTXA-BS, CTXA-BT, CTXA-CW, CTXA-CB, CTXA-CS, CTXM-R, CTXM-A, FTXA-AW, FTXA-BB, FTXA-BS, FTXA-BT, FTXA-CW, FTXA-CB, FTXA-CS, FTXM-R, FTXM-A, FTXJ-AB, FTXJ-AS, FTXJ-AW, FTXJ-AB9, FTXJ-AS9, FTXJ-AW9· series
- 3) Cooling capacity conditions
 - Indoor temperature ·27·°C DB / ·19·°C WB
 - Outdoor temperature ·35·°C DB

4D155753

3 Combination table

3 - 1 Combination Table

5MWXM68A9

Cooling · 230V 50Hz-

Outdoor unit	Indoor unit	Cooling capacity [kW]				Total capacity [kW]			Power input [kW]			Total current [A]			Power factor [%]
		Room -A-	Room -B-	Room -C-	Room -D-	Minimum	Nominal	Maximum	Minimum	Nominal	Maximum	Minimum	Nominal	Maximum	
5MWXM68A2V1B9	1.5+2.5+6.0	1.02	1.70	4.08	-	2.75	6.80	8.42	1.86	3.33	3.33	2.20	8.20	14.60	99
	1.5+3.5+3.5	1.20	2.80	2.80	-	2.72	6.80	7.94	0.49	1.92	2.78	2.30	8.70	12.50	97
	1.5+3.5+4.2	1.11	2.59	3.10	-	2.73	6.80	8.13	0.49	1.91	3.27	2.20	8.40	14.40	99
	1.5+3.5+5.0	1.02	2.39	3.40	-	2.73	6.80	8.46	0.49	1.90	3.39	2.20	8.40	14.80	99
	1.5+3.5+6.0	0.93	2.16	3.71	-	2.75	6.80	8.56	0.49	1.86	3.38	2.20	8.20	14.80	99
	1.5+4.2+4.2	1.03	2.88	2.88	-	2.73	6.80	8.26	0.49	1.90	3.32	2.20	8.40	14.60	99
	1.5+4.2+5.0	0.95	2.67	3.18	-	2.73	6.80	8.53	0.49	1.87	3.41	2.20	8.30	15.00	99
	2.0+2.0+2.0	2.00	2.00	2.00	-	2.72	6.00	6.45	0.50	1.56	1.76	2.40	7.50	8.50	91
	2.0+2.0+2.5	2.00	2.00	2.50	-	2.72	6.50	7.03	0.50	1.80	2.15	2.40	8.40	10.00	93
	2.0+2.0+3.5	1.81	1.81	3.17	-	2.72	6.80	7.40	0.49	1.95	2.60	2.30	8.80	11.70	97
	2.0+2.0+4.2	1.66	1.66	3.48	-	2.72	6.80	7.61	0.49	1.92	2.67	2.30	8.70	12.00	97
	2.0+2.0+5.0	1.51	1.51	3.78	-	2.73	6.80	8.01	0.49	1.91	3.22	2.20	8.40	14.20	99
	2.0+2.0+6.0	1.36	1.36	4.08	-	2.74	6.80	8.27	0.49	1.86	3.28	2.20	8.20	14.40	99
	2.0+2.5+2.5	1.94	2.43	2.43	-	2.72	6.80	7.24	0.50	1.95	2.22	2.40	9.10	10.30	93
	2.0+2.5+3.5	1.70	2.13	2.98	-	2.72	6.80	7.74	0.49	1.92	2.72	2.30	8.70	12.20	97
	2.0+2.5+4.2	1.56	1.95	3.28	-	2.72	6.80	7.94	0.49	1.92	3.20	2.20	8.50	14.10	99
	2.0+2.5+5.0	1.43	1.79	3.58	-	2.73	6.80	8.08	0.49	1.91	3.25	2.20	8.40	14.30	99
	2.0+2.5+6.0	1.30	1.62	3.89	-	2.75	6.80	8.55	0.49	1.86	3.38	2.20	8.20	14.90	99
	2.0+3.5+3.5	1.51	2.64	2.64	-	2.72	6.80	8.07	0.49	1.92	3.26	2.20	8.50	14.30	99
	2.0+3.5+4.2	1.40	2.45	2.94	-	2.73	6.80	8.25	0.49	1.91	3.32	2.20	8.40	14.60	99
	2.0+3.5+5.0	1.30	2.27	3.24	-	2.73	6.80	8.58	0.49	1.90	3.44	2.20	8.40	15.10	99
	2.0+4.2+4.2	1.31	2.75	2.75	-	2.73	6.80	8.37	0.49	1.90	3.36	2.20	8.40	14.80	99
	2.5+2.5+2.5	2.27	2.27	2.27	-	2.72	6.80	7.53	0.49	1.95	2.65	2.30	8.80	11.90	97
	2.5+2.5+3.5	2.00	2.00	2.80	-	2.72	6.80	7.94	0.49	1.92	2.78	2.30	8.70	12.50	97
	2.5+2.5+4.2	1.85	1.85	3.10	-	2.73	6.80	8.12	0.49	1.92	3.27	2.20	8.50	14.40	99
	2.5+2.5+5.0	1.70	1.70	3.40	-	2.73	6.80	8.45	0.49	1.90	3.39	2.20	8.40	14.90	99
	2.5+2.5+6.0	1.55	1.55	3.71	-	2.75	6.80	8.74	0.49	1.86	3.45	2.20	8.20	15.20	99
	2.5+3.5+3.5	1.79	2.51	2.51	-	2.73	6.80	8.30	0.49	1.91	3.34	2.20	8.40	14.70	99
	2.5+3.5+4.2	1.67	2.33	2.80	-	2.73	6.80	8.43	0.49	1.91	3.39	2.20	8.40	14.90	99
	2.5+3.5+5.0	1.55	2.16	3.09	-	2.73	6.80	8.74	0.49	1.90	3.50	2.20	8.40	15.40	99
	2.5+4.2+4.2	1.56	2.62	2.62	-	2.73	6.80	8.49	0.49	1.90	3.42	2.20	8.40	14.90	99
	3.5+3.5+3.5	2.27	2.27	2.27	-	2.73	6.80	8.59	0.49	1.90	3.45	2.20	8.40	15.10	99
	1.5+1.5+1.5+1.5	1.65	1.65	1.65	1.65	2.84	6.60	6.86	0.50	1.68	1.79	2.40	8.10	8.60	91
	1.5+1.5+1.5+2.0	1.52	1.52	1.52	2.03	2.84	6.60	7.22	0.50	1.68	2.11	2.40	7.90	9.80	93
	1.5+1.5+1.5+2.5	1.41	1.41	1.41	2.36	2.84	6.60	7.45	0.50	1.68	2.17	2.40	7.90	10.10	93
	1.5+1.5+1.5+3.5	1.28	1.28	1.28	2.98	2.85	6.80	7.87	0.50	1.77	2.63	2.30	8.00	11.80	97
	1.5+1.5+1.5+4.2	1.17	1.17	1.17	3.28	2.86	6.80	8.04	0.50	1.77	3.06	2.30	7.80	13.40	99
	1.5+1.5+1.5+5.0	1.07	1.07	1.07	3.58	2.87	6.80	8.29	0.50	1.77	3.14	2.30	7.80	13.80	99
	1.5+1.5+1.5+6.0	0.97	0.97	0.97	3.89	2.94	6.80	8.38	0.51	1.74	3.14	2.30	7.70	13.80	99
	1.5+1.5+2.0+2.0	1.46	1.46	1.94	1.94	2.84	6.80	7.45	0.50	1.78	2.18	2.40	8.30	10.10	93
	1.5+1.5+2.0+2.5	1.36	1.36	1.81	2.27	2.84	6.80	7.62	0.50	1.78	2.55	2.30	8.00	11.40	97
	1.5+1.5+2.0+3.5	1.20	1.20	1.60	2.80	2.85	6.80	8.03	0.50	1.77	2.68	2.30	8.00	12.00	97
	1.5+1.5+2.0+4.2	1.11	1.11	1.48	3.10	2.86	6.80	8.19	0.50	1.77	3.11	2.30	7.80	13.70	99
	1.5+1.5+2.0+5.0	1.02	1.02	1.36	3.40	2.87	6.80	8.43	0.50	1.77	3.19	2.30	7.80	14.00	99
	1.5+1.5+2.0+6.0	0.93	0.93	1.24	3.71	2.94	6.80	8.56	0.51	1.74	3.20	2.30	7.70	14.10	99
	1.5+1.5+2.5+2.5	1.28	1.28	2.13	2.13	2.85	6.80	7.70	0.50	1.77	2.57	2.30	8.00	11.60	97
	1.5+1.5+2.5+3.5	1.13	1.13	1.89	2.64	2.86	6.80	8.11	0.50	1.77	3.09	2.30	7.80	13.60	99
	1.5+1.5+2.5+4.2	1.05	1.05	1.75	2.94	2.86	6.80	8.27	0.50	1.77	3.14	2.30	7.80	13.80	99
	1.5+1.5+2.5+5.0	0.97	0.97	1.62	3.24	2.88	6.80	8.70	0.50	1.77	3.29	2.30	7.80	14.50	99
	1.5+1.5+3.5+3.5	1.02	1.02	2.38	2.38	2.87	6.80	8.57	0.50	1.77	3.25	2.30	7.80	14.30	99
	1.5+1.5+3.5+4.2	0.95	0.95	2.22	2.67	2.88	6.80	8.65	0.50	1.77	3.28	2.30	7.80	14.40	99

4D155753

5MWXM68A9

Cooling · 230V 50Hz-

Outdoor unit	Indoor unit	Cooling capacity [kW]				Total capacity [kW]			Power input [kW]			Total current [A]			Power factor [%]
		Room -A-	Room -B-	Room -C-	Room -D-	Minimum	Nominal	Maximum	Minimum	Nominal	Maximum	Minimum	Nominal	Maximum	
5MWXM68A2V1B9	1.5+2.0+2.0+2.0	1.36	1.81	1.81	1.81	2.84	6.80	7.61	0.50	1.78	2.54	2.30	8.00	11.40	97
	1.5+2.0+2.0+2.5	1.28	1.70	1.70	2.13	2.84	6.80	7.78	0.50	1.78	2.60	2.30	8.00	11.70	97
	1.5+2.0+2.0+3.5	1.13	1.51	1.51	2.64	2.85	6.80	8.18	0.50	1.77	3.12	2.30	7.80	13.70	99
	1.5+2.0+2.0+4.2	1.05	1.40	1.40	2.94	2.86	6.80	8.34	0.50	1.77	3.17	2.30	7.80	13.90	99
	1.5+2.0+2.0+5.0	0.97	1.30	1.30	3.24	2.87	6.80	8.77	0.50	1.77	3.32	2.30	7.80	14.60	99
	1.5+2.0+2.5+2.5	1.20	1.60	2.00	2.00	2.85	6.80	7.86	0.50	1.77	2.63	2.30	8.00	11.80	97
	1.5+2.0+2.5+3.5	1.07	1.43	1.79	2.51	2.86	6.80	8.26	0.50	1.77	3.14	2.30	7.80	13.80	99
	1.5+2.0+2.5+4.2	1.00	1.33	1.67	2.80	2.86	6.80	8.43	0.50	1.77	3.20	2.30	7.80	14.10	99
	1.5+2.0+2.5+5.0	0.93	1.24	1.55	3.09	2.88	6.80	8.85	0.50	1.77	3.35	2.30	7.80	14.70	99
	1.5+2.0+3.5+3.5	0.97	1.30	2.27	2.27	2.87	6.80	8.64	0.50	1.77	3.28	2.30	7.80	14.40	99
	1.5+2.5+2.5+2.5	1.13	1.89	1.89	1.89	2.85	6.80	8.18	0.50	1.77	3.12	2.30	7.80	13.70	99
	1.5+2.5+2.5+3.5	1.02	1.70	1.70	2.38	2.86	6.80	8.49	0.50	1.77	3.23	2.30	7.80	14.20	99
	1.5+2.5+2.5+4.2	0.95	1.59	1.59	2.67	2.87	6.80	8.50	0.50	1.77	3.22	2.30	7.80	14.20	99
	1.5+2.5+3.5+3.5	0.93	1.55	2.16	2.16	2.87	6.80	8.71	0.50	1.77	3.30	2.30	7.80	14.50	99
	2.0+2.0+2.0+2.0	1.70	1.70	1.70	1.70	2.84	6.80	7.78	0.50	1.78	2.60	2.30	8.00	11.70	97
	2.0+2.0+2.0+2.5	1.60	1.60	1.60	2.00	2.84	6.80	7.95	0.50	1.78	2.65	2.30	8.00	11.90	97
	2.0+2.0+2.0+3.5	1.43	1.43	1.43	2.51	2.85	6.80	8.33	0.50	1.77	3.18	2.30	7.80	13.90	99
	2.0+2.0+2.0+4.2	1.33	1.33	1.33	2.80	2.86	6.80	8.49	0.50	1.77	3.23	2.30	7.80	14.20	99
	2.0+2.0+2.0+5.0	1.24	1.24	1.24	3.09	2.87	6.80	8.91	0.50	1.77	3.38	2.30	7.80	14.80	99
	2.0+2.0+2.5+2.5	1.51	1.51	1.89	1.89	2.85	6.80	8.10	0.50	1.77	3.09	2.30	7.80	13.60	99
	2.0+2.0+2.5+3.5	1.36	1.36	1.70	2.38	2.86	6.80	8.49	0.50	1.77	3.23	2.30	7.80	14.20	99
	2.0+2.0+2.5+4.2	1.27	1.27	1.59	2.67	2.86	6.80	8.64	0.50	1.77	3.28	2.30	7.80	14.40	99
	2.0+2.0+3.5+3.5	1.24	1.24	2.16	2.16	2.87	6.80	8.78	0.50	1.77	3.33	2.30	7.80	14.60	99
	2.0+2.5+2.5+2.5	1.43	1.79	1.79	1.79	2.85	6.80	8.33	0.50	1.77	3.18	2.30	7.80	13.90	99
	2.0+2.5+2.5+3.5	1.30	1.62	1.62	2.27	2.86	6.80	8.63	0.50	1.77	3.28	2.30	7.80	14.40	99
	2.5+2.5+2.5+2.5	1.70	1.70	1.70	1.70	2.86	6.80	8.56	0.50	1.77	3.26	2.30	7.80	14.30	99
	2.5+2.5+2.5+3.5	1.55	1.55	1.55	2.16	2.87	6.80	8.90	0.50	1.77	3.38	2.30	7.80	14.80	99

3 Combination table

3 - 1 Combination Table

3

5MWXM68A9

Notes

- 1) The total capacity of each connected indoor unit is up to ·11.0·kW.
- 2) The values mentioned in this document are for connecting with the following indoor unit types:

·1.5, 2.0, 2.5, 3.5, 4.2, 5.0, 6.0· kW class

Wall-mounted ·CTXA-AW, CXTA-BB, CXTA-BS, CXTA-BT, CXTA-CW, CXTA-CB, CXTA-CS, CXTM-R, CXTM-A, FTXA-AW, FTXA-BB, FTXA-BS, FTXA-BT, FTXA-CW, FTXA-CB, FTXA-CS, FTXM-R, FTXM-A, FTXJ-AB, FTXJ-AS, FTXJ-AW, FTXJ-AB9, FTXJ-AS9, FTXJ-AW9· series

- 3) Heating capacity conditions

Indoor temperature ·20·°C DB

Outdoor temperature ·7·°C DB / ·6·°C WB

4D155754

5MWXM68A9

Heating ·230V 50Hz·

Outdoor unit	Indoor unit	Heating capacity [kW]				Total capacity [kW]			Power input [kW]			Total current [A]			Power factor [%]
		Room -A-	Room -B-	Room -C-	Room -D-	Minimum	Nominal	Maximum	Minimum	Nominal	Maximum	Minimum	Nominal	Maximum	
5MWXM68A2V1B9	1.5	2.70	-	-	-	2.34	2.70	4.08	0.49	0.60	1.19	2.60	3.10	6.10	98
	2.0	3.00	-	-	-	2.34	3.00	4.09	0.49	0.69	1.19	2.60	3.50	6.10	98
	2.5	3.40	-	-	-	2.34	3.40	4.30	0.49	0.80	1.24	2.50	4.10	6.30	98
	3.5	4.30	-	-	-	2.34	4.30	4.90	0.49	1.11	1.66	2.40	5.50	8.10	98
	4.2	5.00	-	-	-	2.34	5.00	5.70	0.48	1.35	2.61	2.20	6.00	11.70	98
	5.0	6.00	-	-	-	2.35	6.00	6.90	0.47	1.76	3.06	2.20	7.90	13.60	98
	6.0	7.20	-	-	-	2.35	7.20	8.91	0.46	2.29	3.78	2.10	10.20	16.60	98
	1.5+1.5	1.85	1.85	-	-	2.34	3.70	6.96	0.45	0.82	2.00	2.20	4.00	9.80	98
	1.5+2.0	1.80	2.40	-	-	2.34	4.20	6.96	0.45	0.98	2.00	2.20	4.80	9.80	98
	1.5+2.5	1.80	3.00	-	-	2.34	4.80	7.95	0.44	1.16	3.02	2.10	5.20	13.50	98
	1.5+3.5	1.80	4.20	-	-	2.34	6.00	8.50	0.44	1.61	3.23	2.10	7.20	14.40	98
	1.5+4.2	1.82	5.08	-	-	2.34	6.90	8.85	0.44	1.94	3.26	2.00	8.70	14.50	98
	1.5+5.0	1.82	6.08	-	-	2.34	7.90	10.38	0.43	2.36	3.75	2.00	10.50	16.60	98
	1.5+6.0	1.72	6.88	-	-	2.48	8.60	10.53	0.46	2.59	3.63	2.10	11.50	16.10	98
	2.0+2.0	2.40	2.40	-	-	2.34	4.80	7.95	0.45	1.17	3.07	2.10	5.30	13.70	98
	2.0+2.5	2.40	3.00	-	-	2.34	5.40	8.12	0.44	1.39	3.09	2.10	6.20	13.60	98
	2.0+3.5	2.40	4.20	-	-	2.34	6.60	8.67	0.44	1.88	3.30	2.10	8.40	14.70	98
	2.0+4.2	2.42	5.08	-	-	2.34	7.50	9.03	0.44	2.22	3.33	2.00	9.90	14.80	98
	2.0+5.0	2.40	6.00	-	-	2.34	8.40	10.44	0.43	2.61	3.77	2.00	11.60	16.70	98
	2.0+6.0	2.15	6.45	-	-	2.48	8.60	10.53	0.46	2.59	3.63	2.10	11.50	16.10	98
	2.5+2.5	3.00	3.00	-	-	2.34	6.00	8.49	0.44	1.59	3.18	2.10	7.10	14.20	98
	2.5+3.5	3.00	4.20	-	-	2.34	7.20	9.03	0.44	2.12	3.42	2.00	9.40	15.20	98
	2.5+4.2	3.02	5.08	-	-	2.34	8.10	9.29	0.43	2.50	3.41	2.00	11.10	15.10	98
	2.5+5.0	2.87	5.73	-	-	2.34	8.60	10.47	0.43	2.69	3.73	2.00	11.90	16.50	98
	2.5+6.0	2.53	6.07	-	-	2.63	8.60	10.56	0.49	2.56	3.59	2.20	11.40	15.90	98
	3.5+3.5	4.20	4.20	-	-	2.34	8.40	9.38	0.44	2.74	3.58	2.00	12.20	15.90	98
	3.5+4.2	3.91	4.69	-	-	2.34	8.60	9.47	0.43	2.76	3.48	2.00	12.20	15.40	98
	3.5+5.0	3.54	5.06	-	-	2.64	8.60	10.47	0.50	2.69	3.73	2.30	11.90	16.50	98
	3.5+6.0	3.17	5.43	-	-	2.78	8.60	10.56	0.52	2.56	3.59	2.40	11.40	15.90	98
	4.2+4.2	4.30	4.30	-	-	2.33	8.60	9.56	0.43	2.67	3.37	1.90	11.80	14.90	98
	4.2+5.0	3.93	4.67	-	-	2.63	8.60	10.54	0.49	2.58	3.61	2.30	11.50	16.00	98
	4.2+6.0	3.54	5.06	-	-	2.77	8.60	10.62	0.52	2.48	3.48	2.30	11.00	15.40	98
	5.0+5.0	4.30	4.30	-	-	3.08	8.60	10.59	0.59	2.51	3.53	2.70	11.20	15.70	98
	5.0+6.0	3.91	4.69	-	-	3.21	8.60	10.66	0.61	2.42	3.41	2.70	10.80	15.10	98
	1.5+1.5+1.5	1.83	1.83	1.83	-	2.31	5.50	9.92	0.42	1.24	3.14	1.90	5.60	14.00	98
	1.5+1.5+2.0	1.83	1.83	2.44	-	2.31	6.10	10.10	0.42	1.45	3.19	1.90	6.50	14.20	98
	1.5+1.5+2.5	1.83	1.83	3.05	-	2.31	6.70	10.18	0.42	1.64	3.18	1.90	7.30	14.20	98
	1.5+1.5+3.5	1.85	1.85	4.31	-	2.31	8.00	10.29	0.42	2.14	3.27	1.90	9.50	14.60	98
	1.5+1.5+4.2	1.79	1.79	5.02	-	2.45	8.60	10.29	0.44	2.33	3.16	2.00	10.40	14.00	98
	1.5+1.5+5.0	1.61	1.61	5.38	-	2.75	8.60	10.46	0.50	2.29	3.14	2.30	10.10	13.90	98
1.5+1.5+6.0	1.43	1.43	5.73	-	3.03	8.60	10.59	0.55	2.22	3.07	2.50	9.80	13.90	98	
1.5+2.0+2.0	1.83	2.44	2.44	-	2.31	6.70	10.26	0.42	1.65	3.24	1.90	7.40	14.50	98	
1.5+2.0+2.5	1.83	2.43	3.04	-	2.31	7.30	10.36	0.42	1.87	3.26	1.90	8.30	14.50	98	
1.5+2.0+3.5	1.82	2.43	4.25	-	2.31	8.50	10.45	0.42	2.36	3.32	1.90	10.50	14.70	98	
1.5+2.0+4.2	1.68	2.23	4.69	-	2.45	8.60	10.46	0.44	2.33	3.22	2.00	10.40	14.30	98	
1.5+2.0+5.0	1.52	2.02	5.06	-	2.75	8.60	10.76	0.50	2.29	3.23	2.30	10.10	14.30	98	
1.5+2.0+6.0	1.36	1.81	5.43	-	3.03	8.60	10.80	0.55	2.22	3.13	2.50	9.80	13.90	98	
1.5+2.5+2.5	1.85	3.08	3.08	-	2.31	8.00	10.47	0.41	2.12	3.29	1.90	9.40	14.60	98	
1.5+2.5+3.5	1.72	2.67	4.01	-	2.46	8.60	10.58	0.44	2.38	3.32	2.00	10.60	14.70	98	
1.5+2.5+4.2	1.57	2.62	4.40	-	2.45	8.60	10.58	0.44	2.32	3.21	2.00	10.30	14.30	98	
1.5+2.5+5.0	1.43	2.39	4.78	-	2.89	8.60	10.77	0.53	2.27	3.20	2.40	10.10	14.20	98	

4D155754

3 Combination table

3-1 Combination Table

5MWXM68A9

Heating · 230V 50Hz·

Outdoor unit	Indoor unit	Heating capacity [kW]				Total capacity [kW]			Power input [kW]			Total current [A]			Power factor [%]
		Room-A	Room-B	Room-C	Room-D	Minimum	Nominal	Maximum	Minimum	Nominal	Maximum	Minimum	Nominal	Maximum	
5MWXM68A2V1B9	1.5+2.5+6.0	1.29	2.15	5.16	-	3.03	8.60	10.82	0.55	2.19	3.11	2.50	9.70	13.80	98
	1.5+3.5+3.5	1.52	3.54	3.54	-	2.76	8.60	10.59	0.51	2.38	3.32	2.30	10.60	14.70	98
	1.5+3.5+4.2	1.40	3.27	3.93	-	2.75	8.60	10.59	0.50	2.32	3.22	2.30	10.30	14.30	98
	1.5+3.5+5.0	1.29	3.01	4.30	-	3.04	8.60	10.77	0.56	2.27	3.20	2.50	10.10	14.20	98
	1.5+3.5+6.0	1.17	2.74	4.69	-	3.03	8.60	10.82	0.55	2.19	3.11	2.50	9.70	13.80	98
	1.5+4.2+4.2	1.30	3.65	3.65	-	2.74	8.60	10.68	0.50	2.25	3.15	2.30	10.00	14.00	98
	1.5+4.2+5.0	1.21	3.38	4.02	-	3.03	8.60	10.81	0.55	2.20	3.12	2.50	9.80	13.80	98
	2.0+2.0+2.0	2.50	2.50	2.50	-	2.31	7.50	10.44	0.42	1.95	3.33	1.90	8.70	14.80	98
	2.0+2.0+2.5	2.46	2.46	3.08	-	2.31	8.00	10.52	0.42	2.14	3.34	1.90	9.50	14.80	98
	2.0+2.0+3.5	2.29	2.29	4.01	-	2.31	8.60	10.63	0.42	2.40	3.38	1.90	10.70	15.00	98
	2.0+2.0+4.2	2.10	2.10	4.40	-	2.45	8.60	10.63	0.44	2.33	3.27	2.00	10.40	14.50	98
	2.0+2.0+5.0	1.91	1.91	4.78	-	2.75	8.60	10.76	0.50	2.29	3.23	2.30	10.10	14.30	98
	2.0+2.0+6.0	1.72	1.72	5.16	-	3.03	8.60	10.80	0.55	2.22	3.13	2.50	9.80	13.90	98
	2.0+2.5+2.5	2.43	3.04	3.04	-	2.31	8.50	10.54	0.41	2.33	3.31	1.90	10.40	14.70	98
	2.0+2.5+3.5	2.15	2.69	3.76	-	2.46	8.60	10.63	0.44	2.38	3.34	2.00	10.60	14.80	98
	2.0+2.5+4.2	1.98	2.47	4.15	-	2.45	8.60	10.64	0.44	2.32	3.23	2.00	10.30	14.30	98
	2.0+2.5+5.0	1.81	2.26	4.53	-	2.89	8.60	10.77	0.53	2.27	3.20	2.40	10.10	14.20	98
	2.0+2.5+6.0	1.64	2.05	4.91	-	3.03	8.60	10.82	0.55	2.19	3.11	2.50	9.70	13.80	98
	2.0+3.5+3.5	1.91	3.34	3.34	-	2.76	8.60	10.69	0.51	2.38	3.36	2.30	10.60	14.90	98
	2.0+3.5+4.2	1.77	3.10	3.72	-	2.75	8.60	10.74	0.50	2.32	3.26	2.30	10.30	14.50	98
	2.0+3.5+5.0	1.64	2.87	4.10	-	3.04	8.60	10.77	0.56	2.27	3.20	2.50	10.10	14.20	98
	2.0+4.2+4.2	1.65	3.47	3.47	-	2.74	8.60	10.77	0.50	2.25	3.18	2.30	10.00	14.10	98
	2.5+2.5+2.5	2.87	2.87	2.87	-	2.46	8.60	10.65	0.44	2.36	3.30	2.00	10.50	14.60	98
	2.5+2.5+3.5	2.53	2.53	3.54	-	2.61	8.60	10.71	0.47	2.36	3.32	2.20	10.50	14.70	98
	2.5+2.5+4.2	2.34	2.34	3.93	-	2.59	8.60	10.76	0.47	2.29	3.23	2.10	10.20	14.30	98
	2.5+2.5+5.0	2.15	2.15	4.30	-	3.04	8.60	10.79	0.55	2.24	3.17	2.50	10.00	14.10	98
	2.5+2.5+6.0	1.95	1.95	4.69	-	3.17	8.60	10.83	0.58	2.18	3.08	2.60	9.70	13.70	98
	2.5+3.5+3.5	2.26	3.17	3.17	-	2.91	8.60	10.71	0.54	2.36	3.32	2.40	10.50	14.70	98
	2.5+3.5+4.2	2.11	2.95	3.54	-	2.90	8.60	10.76	0.53	2.29	3.23	2.40	10.20	14.30	98
	2.5+3.5+5.0	1.95	2.74	3.91	-	3.33	8.60	10.79	0.62	2.24	3.17	2.80	10.00	14.10	98
	2.5+4.2+4.2	1.97	3.31	3.31	-	2.88	8.60	10.79	0.52	2.23	3.15	2.40	9.90	14.00	98
	3.5+3.5+3.5	2.87	2.87	2.87	-	3.06	8.60	10.71	0.57	2.36	3.32	2.60	10.50	14.70	98
	1.5+1.5+1.5+1.5	1.83	1.83	1.83	1.83	2.25	7.30	10.07	0.41	1.65	2.76	1.90	7.40	12.30	98
	1.5+1.5+1.5+2.0	1.85	1.85	1.85	2.46	2.40	8.00	10.25	0.43	1.89	2.83	2.00	8.40	12.60	98
	1.5+1.5+1.5+2.5	1.82	1.82	1.82	3.04	2.70	8.50	10.36	0.48	2.06	2.84	2.20	9.10	12.60	98
	1.5+1.5+1.5+3.5	1.61	1.61	1.61	3.76	2.85	8.60	10.46	0.51	2.08	2.86	2.30	9.20	12.70	98
	1.5+1.5+1.5+4.2	1.48	1.48	1.48	4.15	2.83	8.60	10.46	0.51	2.04	2.81	2.30	9.00	12.40	98
	1.5+1.5+1.5+5.0	1.36	1.36	1.36	4.53	3.13	8.60	10.52	0.56	2.01	2.78	2.50	8.90	12.30	98
	1.5+1.5+1.5+6.0	1.23	1.23	1.23	4.91	3.11	8.60	10.88	0.58	1.97	2.82	2.50	8.80	12.50	98
	1.5+1.5+2.0+2.0	1.82	1.82	2.43	2.43	2.55	8.50	10.44	0.46	2.07	2.88	2.10	9.20	12.80	98
	1.5+1.5+2.0+2.5	1.72	1.72	2.29	2.87	2.70	8.60	10.54	0.48	2.08	2.88	2.20	9.20	12.80	98
	1.5+1.5+2.0+3.5	1.52	1.52	2.02	3.54	2.85	8.60	10.64	0.51	2.08	2.91	2.30	9.20	12.90	98
	1.5+1.5+2.0+4.2	1.40	1.40	1.87	3.93	2.83	8.60	10.65	0.51	2.04	2.86	2.30	9.00	12.70	98
	1.5+1.5+2.0+5.0	1.29	1.29	1.72	4.30	3.13	8.60	10.71	0.56	2.01	2.83	2.50	8.90	12.60	98
	1.5+1.5+2.0+6.0	1.17	1.17	1.56	4.69	3.11	8.60	10.89	0.56	1.97	2.82	2.50	8.80	12.50	98
1.5+1.5+2.5+2.5	1.61	1.61	2.69	2.69	2.69	8.60	10.55	0.48	2.06	2.86	2.20	9.20	12.70	98	
1.5+1.5+2.5+3.5	1.43	1.43	2.39	3.34	2.99	8.60	10.65	0.54	2.06	2.89	2.40	9.20	12.80	98	
1.5+1.5+2.5+4.2	1.33	1.33	2.22	3.72	2.98	8.60	10.65	0.53	2.02	2.84	2.40	9.00	12.60	98	
1.5+1.5+2.5+5.0	1.23	1.23	2.05	4.10	3.12	8.60	10.89	0.56	2.00	2.86	2.50	8.90	12.70	98	
1.5+1.5+3.5+3.5	1.29	1.29	3.01	3.01	3.30	8.60	10.75	0.59	2.06	2.92	2.70	9.20	13.00	98	
1.5+1.5+3.5+4.2	1.21	1.21	2.81	3.38	3.13	8.60	10.85	0.56	2.02	2.89	2.60	9.00	12.80	98	

4D155754

5MWXM68A9

Heating · 230V 50Hz·

Outdoor unit	Indoor unit	Heating capacity [kW]				Total capacity [kW]			Power input [kW]			Total current [A]			Power factor [%]
		Room-A	Room-B	Room-C	Room-D	Minimum	Nominal	Maximum	Minimum	Nominal	Maximum	Minimum	Nominal	Maximum	
5MWXM68A2V1B9	1.5+2.0+2.0+2.0	1.72	2.29	2.29	2.29	2.55	8.60	10.63	0.46	2.09	2.93	2.10	9.30	13.00	98
	1.5+2.0+2.0+2.5	1.61	2.15	2.15	2.69	2.70	8.60	10.72	0.48	2.08	2.94	2.20	9.20	13.00	98
	1.5+2.0+2.0+3.5	1.43	1.91	1.91	3.34	2.85	8.60	10.83	0.51	2.08	2.96	2.30	9.20	13.10	98
	1.5+2.0+2.0+4.2	1.33	1.77	1.77	3.72	2.83	8.60	10.84	0.51	2.04	2.91	2.30	9.00	12.90	98
	1.5+2.0+2.0+5.0	1.23	1.64	1.64	4.10	3.13	8.60	10.88	0.56	2.01	2.88	2.50	8.90	12.80	98
	1.5+2.0+2.5+2.5	1.52	2.02	2.53	2.53	2.69	8.60	10.72	0.48	2.06	2.91	2.20	9.20	12.90	98
	1.5+2.0+2.5+3.5	1.36	1.81	2.26	3.17	2.99	8.60	10.83	0.54	2.06	2.94	2.40	9.20	13.00	98
	1.5+2.0+2.5+4.2	1.26	1.69	2.11	3.54	2.98	8.60	10.84	0.53	2.02	2.89	2.40	9.00	12.80	98
	1.5+2.0+2.5+5.0	1.17	1.56	1.95	3.91	3.12	8.60	10.89	0.56	2.00	2.86	2.50	8.90	12.70	98
	1.5+2.0+3.5+3.5	1.23	1.64	2.87	2.87	3.30	8.60	10.87	0.59	2.06	2.95	2.70	9.20	13.10	98
	1.5+2.5+2.5+2.5	1.43	2.39	2.39	2.39	2.84	8.60	10.73	0.51	2.05	2.89	2.30	9.10	12.80	98
	1.5+2.5+2.5+3.5	1.29	2.15	2.15	3.01	3.14	8.60	10.87	0.56	2.05	2.93	2.60	9.10	13.00	98
	1.5+2.5+2.5+4.2	1.21	2.01	2.01	3.38	3.13	8.60	10.88	0.56	2.01	2.88	2.50	8.90	12.80	98
	1.5+2.5+3.5+3.5	1.17	1.95	2.74	2.74	3.29	8.60	10.87	0.59	2.05	2.93	2.70	9.10	13.00	98
	2.0+2.0+2.0+2.0	2.15	2.15	2.15	2.15	2.55	8.60	10.81	0.46	2.09	2.98	2.10	9.30	13.20	98
	2.0+2.0+2.0+2.5	2.02	2.02	2.02	2.53	2.70	8.60	10.86	0.48	2.08	2.97	2.20	9.20	13.20	98
	2.0+2.0+2.0+3.5	1.81	1.81	1.81	3.17	2.85	8.60	10.86	0.51	2.08	2.97	2.30	9.20	13.20	98
	2.0+2.0+2.0+4.2	1.69	1.69	1.69	3.54	2.83	8.60	10.88	0.51	2.04	2.92	2.30	9.00	12.90	98
	2.0+2.0+2.0+5.0	1.56	1.56	1.56	3.91	3.13	8.60	10.88	0.56	2.01	2.88	2.50	8.90	12.80	98
	2.0+2.0+2.5+2.5	1.91	1.91	2.39	2.39	2.69	8.60	10.87	0.48	2.06	2.95	2.20	9.20	13.10	98
	2.0+2.0+2.5+3.5	1.72	1.72	2.15	3.01	2.99	8.60	10.87	0.54	2.06	2.95	2.40	9.20	13.10	98
	2.0+2.0+2.5+4.2	1.61	1.61	2.01	3.38	2.98	8.60	10.88	0.53	2.02	2.90	2.40	9.00	12.90	98
2.0+2.0+3.5+3.5	1.56	1.56	2.74	2.74	3.30	8.60	10.87	0.59	2.06	2.95	2.70	9.20	13.10	98	
2.0+2.5+2.5+2.5	1.81	2.26	2.26	2.26	2.84	8.60	10.87	0.51	2.05	2.93	2.30	9.10	13.00	98	
2.0+2.5+2.5+3.5	1.64	2.05	2.05	2.87	3.14	8.60	10.87	0.56	2.05	2.93	2.60	9.10	13.00	98	
2.5+2.5+2.5+2.5	2.15	2.15	2.15	2.15	2.98	8.60	10.88	0.53	2.04	2.91	2.40	9.00	12.90	98	
2.5+2.5+2.5+3.5	1.95	1.95													

3 Combination table

3 - 1 Combination Table

5MWXM90A9

3

Notes

- 1) The total capacity of each connected indoor unit is up to ·15.6·kW.
- 2) The values mentioned in this document are for connecting with the following indoor unit types:
·1.5, 2.0, 2.5, 3.5, 4.2, 5.0, 6.0, 7.1· kW class
Wall-mounted ·CTXA-AW, CTXA-BB, CTXA-BS, CTXA-BT, CTXA-CW, CTXA-CB, CTXA-CS,
CTXM-R, CTXM-A, FTXA-AW, FTXA-BB, FTXA-BS, FTXA-BT, FTXA-CW, FTXA-CB, FTXA-CS,
FTXM-R, FTXM-A, FTXJ-AB, FTXJ-AS, FTXJ-AW, FTXJ-AB9, FTXJ-AS9, FTXJ-AW9· series
- 3) Cooling capacity conditions
Indoor temperature ·27·°C DB / ·19·°C WB
Outdoor temperature ·35·°C DB

4D155755A

3 Combination table

3 - 1 Combination Table

5MWXM90A9

Cooling - 230V 50Hz-

Outdoor unit	Indoor unit	Cooling capacity [kW]				Total capacity [kW]			Power input [kW]			Total current [A]			Power factor [%]
		Room ·A·	Room ·B·	Room ·C·	Room ·D·	Minimum	Nominal	Maximum	Minimum	Nominal	Maximum	Minimum	Nominal	Maximum	
5MWXM90A2V1B9	1.5	1,80	-	-	-	1,78	1,80	2,99	0,37	0,37	0,70	2,00	2,00	3,60	84
	2.0	2,00	-	-	-	1,86	2,00	3,11	0,39	0,41	0,72	2,00	2,20	3,80	84
	2.5	2,50	-	-	-	1,98	2,50	3,58	0,41	0,52	0,83	2,20	2,70	4,30	84
	3.5	3,50	-	-	-	2,03	3,50	4,55	0,42	0,81	1,21	2,10	4,10	6,10	87
	4.2	4,20	-	-	-	2,06	4,20	5,08	0,42	1,07	1,46	2,10	5,20	7,20	89
	5.0	5,00	-	-	-	2,20	5,00	5,12	0,45	1,41	1,46	2,20	6,90	7,20	89
	6.0	6,00	-	-	-	2,31	6,00	6,00	0,46	1,89	1,70	2,30	9,10	8,20	91
	7.1	7,10	-	-	-	2,43	7,10	7,10	0,49	2,86	2,13	2,30	13,40	10,00	93
	1.5+1.5	1,50	1,50	-	-	2,82	3,00	4,79	0,56	0,60	1,18	2,80	3,00	5,90	87
	1.5+2.0	1,50	2,00	-	-	2,82	3,50	4,96	0,59	0,73	1,22	3,00	3,70	6,10	87
	1.5+2.5	1,50	2,50	-	-	2,83	4,00	5,28	0,62	0,88	1,40	3,10	4,30	6,90	89
	1.5+3.5	1,50	3,50	-	-	2,83	5,00	5,68	0,64	1,22	1,50	3,20	6,00	7,40	89
	1.5+4.2	1,50	4,20	-	-	2,89	5,70	6,18	0,64	1,52	1,74	3,10	7,30	8,40	91
	1.5+5.0	1,50	5,00	-	-	2,80	6,50	7,02	0,64	1,88	2,20	3,00	8,80	10,30	93
	1.5+6.0	1,50	6,00	-	-	2,91	7,50	7,81	0,64	2,43	2,76	2,90	11,00	12,40	97
	1.5+7.1	1,40	6,60	-	-	3,12	8,00	8,07	0,64	2,79	2,85	2,90	12,60	12,90	97
	2.0+2.0	2,00	2,00	-	-	2,82	4,00	5,45	0,64	0,88	1,45	3,20	4,40	7,10	89
	2.0+2.5	2,00	2,50	-	-	2,83	4,50	5,65	0,64	1,05	1,50	3,20	5,20	7,30	89
	2.0+3.5	2,00	3,50	-	-	2,83	5,50	6,16	0,64	1,43	1,73	3,10	6,90	8,40	91
	2.0+4.2	2,00	4,20	-	-	2,89	6,20	6,98	0,64	1,76	2,23	3,00	8,20	10,40	94
	2.0+5.0	2,00	5,00	-	-	2,90	7,00	7,02	0,64	2,19	2,20	3,00	10,30	10,30	93
	2.0+6.0	1,88	5,63	-	-	2,91	7,50	8,06	0,64	2,43	2,85	2,90	11,00	12,90	97
	2.0+7.1	1,76	6,24	-	-	3,12	8,00	8,67	0,64	2,79	3,51	2,80	12,30	15,50	99
	2.5+2.5	2,50	2,50	-	-	2,83	5,00	5,66	0,64	1,22	1,50	3,20	6,00	7,30	89
	2.5+3.5	2,50	3,50	-	-	2,83	6,00	6,18	0,64	1,66	1,74	3,10	8,00	8,40	91
	2.5+4.2	2,50	4,20	-	-	2,91	6,70	6,99	0,64	2,02	2,20	3,00	9,50	10,30	93
	2.5+5.0	2,50	5,00	-	-	2,92	7,50	7,85	0,64	2,53	2,82	2,90	11,40	12,70	97
	2.5+6.0	2,35	5,65	-	-	2,93	8,00	8,08	0,64	2,79	2,85	2,90	12,60	12,90	97
	2.5+7.1	2,21	6,29	-	-	3,12	8,50	8,69	0,64	3,27	3,51	2,80	14,40	15,50	99
	3.5+3.5	3,50	3,50	-	-	2,84	7,00	7,49	0,64	2,22	2,57	3,00	10,20	11,80	96
	3.5+4.2	3,50	4,20	-	-	2,92	7,70	7,83	0,64	2,74	2,82	2,90	12,40	12,70	97
	3.5+5.0	3,29	4,71	-	-	2,93	8,00	8,02	0,64	2,94	2,94	2,90	13,20	13,20	97
	3.5+6.0	2,95	5,05	-	-	2,94	8,00	8,65	0,64	2,78	3,49	2,80	12,20	15,40	99
	3.5+7.1	2,97	6,03	-	-	3,15	9,00	9,00	0,67	3,56	3,56	3,00	15,70	15,70	99
	4.2+4.2	4,00	4,00	-	-	2,94	8,00	8,00	0,64	2,99	2,99	2,90	13,30	13,40	98
	4.2+5.0	3,65	4,35	-	-	3,10	8,00	8,21	0,64	2,89	3,37	2,80	12,70	14,80	99
	4.2+6.0	3,50	5,00	-	-	3,12	8,50	8,67	0,67	3,21	3,49	3,00	14,10	15,40	99
	4.2+7.1	3,35	5,65	-	-	3,18	9,00	9,00	0,70	3,54	3,54	3,10	15,60	15,60	99
	5.0+5.0	4,25	4,25	-	-	3,11	8,50	8,37	0,64	3,37	3,41	2,80	14,90	15,00	99
	5.0+6.0	4,09	4,91	-	-	3,14	9,00	9,00	0,67	3,69	3,69	3,00	16,20	16,30	99
	5.0+7.1	3,72	5,28	-	-	3,31	9,00	9,12	0,74	3,69	3,83	3,30	16,20	16,90	99
	6.0+6.0	4,50	4,50	-	-	3,35	9,00	9,24	0,74	3,45	3,68	3,30	15,20	16,20	99
	6.0+7.1	4,12	4,88	-	-	3,49	9,00	9,25	0,77	3,41	3,68	3,40	15,00	16,20	99
	7.1+7.1	4,50	4,50	-	-	3,64	9,00	9,26	0,81	3,40	3,68	3,60	15,00	16,20	99
	1.5+1.5+1.5	1,50	1,50	1,50	-	2,92	4,50	6,15	0,63	0,95	1,52	3,10	4,70	7,50	89
	1.5+1.5+2.0	1,50	1,50	2,00	-	2,92	5,00	6,15	0,63	1,11	1,52	3,10	5,40	7,50	89
	1.5+1.5+2.5	1,50	1,50	2,50	-	2,92	5,50	6,72	0,63	1,28	1,77	3,10	6,20	8,50	91
	1.5+1.5+3.5	1,50	1,50	3,50	-	2,93	6,50	7,20	0,63	1,67	2,12	3,00	7,80	9,90	93
	1.5+1.5+4.2	1,50	1,50	4,20	-	2,93	7,20	7,67	0,63	2,01	2,25	3,00	9,40	10,50	93
	1.5+1.5+5.0	1,41	1,41	4,69	-	2,94	7,50	8,18	0,63	2,14	2,74	2,90	9,70	12,40	97
	1.5+1.5+6.0	1,33	1,33	5,33	-	2,96	8,00	8,75	0,63	2,37	3,31	2,80	10,40	14,60	99
	1.5+1.5+7.1	1,26	1,26	5,98	-	3,16	8,50	9,26	0,63	2,67	3,50	2,80	11,80	15,40	99
	1.5+2.0+2.0	1,50	2,00	2,00	-	2,92	5,50	6,58	0,63	1,28	1,74	3,10	6,20	8,40	91
	1.5+2.0+2.5	1,50	2,00	2,50	-	2,92	6,00	6,72	0,63	1,47	1,77	3,10	7,10	8,60	91
	1.5+2.0+3.5	1,50	2,00	3,50	-	2,93	7,00	7,55	0,63	1,91	2,22	3,00	9,00	10,40	93
	1.5+2.0+4.2	1,50	2,00	4,20	-	2,93	7,70	8,00	0,63	2,29	2,69	2,90	10,40	12,20	97
	1.5+2.0+5.0	1,41	1,88	4,71	-	2,94	8,00	8,50	0,63	2,43	2,85	2,90	11,00	12,90	97
	1.5+2.0+6.0	1,26	1,68	5,05	-	2,96	8,00	9,05	0,63	2,37	3,43	2,80	10,40	15,10	99
	1.5+2.0+7.1	1,27	1,70	6,03	-	3,16	9,00	9,36	0,63	3,05	3,54	2,80	13,40	15,60	99
	1.5+2.5+2.5	1,50	2,50	2,50	-	2,93	6,50	7,18	0,63	1,67	2,12	3,00	7,80	9,90	93
	1.5+2.5+3.5	1,50	2,50	3,50	-	2,93	7,50	7,90	0,63	2,18	2,66	2,90	9,90	12,00	97
	1.5+2.5+4.2	1,46	2,44	4,10	-	2,93	8,00	8,33	0,63	2,47	2,80	2,90	11,20	12,60	97
	1.5+2.5+5.0	1,33	2,22	4,44	-	2,94	8,00	8,73	0,63	2,42	3,34	2,80	10,70	14,70	99
	1.5+2.5+6.0	1,28	2,13	5,10	-	2,96	8,50	9,26	0,63	2,67	3,50	2,80	11,80	15,40	99
	1.5+2.5+7.1	1,22	2,03	5,76	-	3,17	9,00	9,56	0,66	3,01	3,66	3,00	13,30	16,10	99
	1.5+3.5+3.5	1,41	3,29	3,29	-	2,93	8,00	8,47	0,63	2,43	2,84	2,90	11,00	12,80	97
	1.5+3.5+4.2	1,30	3,04	3,65	-	2,94	8,00	8,68	0,63	2,43	3,33	2,80	10,70	14,70	99
	1.5+3.5+5.0	1,28	2,98	4,25	-	2,94	8,50	8,87	0,63	2,73	3,39	2,80	12,10	14,90	99
	1.5+3.5+6.0	1,23	2,86	4,91	-	3,12	9,00	9,31	0,66	3,00	3,51	3,00	13,20	15,50	99
	1.5+3.5+7.1	1,12	2,60	5,28	-	3,44	9,00	9,51	0,73	3,00	3,63	3,30	13,20	16,00	99
	1.5+4.2+4.2	1,36	3,82	3,82	-	2,96	9,00	8,69	0,63	3,16	3,33	2,80	13,90	14,70	99
	1.5+4.2+5.0	1,26	3,53	4,21	-	3,12	9,00	8,88	0,66	3,11	3,39	3,00	13,70	14,90	99
	1.5+4.2+6.0	1,15	3,23	4,62	-	3,14	9,00	9,51	0,66	3,00	3,62	3,00	13,20	16,00	99
1.5+4.2+7.1	1,05	2,95	4,99	-	3,44	9,00	9,53	0,73	3,00	3,63	3,30	13,20	16,00	99	
1.5+5.0+5.0	1,17	3,91	3,91	-	3,16	9,00	9,27	0,66	3,06	3,56	3,00	13,50	15,70	99	
1.5+5.0+6.0	1,08	3,60	4,32	-	3,45	9,00	9,70	0,73	2,95	3,68	3,30	13,00	16,20	99	
1.5+5.0+7.1	0,99	3,31	4,70	-	3,60	9,00	9,72	0,77	2,95	3,69	3,40	13,00	16,20	99	
1.5+6.0+6.0	1,00	4,00	4,00	-	3,63	9,00	10,14	0,77	2,88	3,80	3,40	12,70	16,70	99	

4D15755A

3 Combination table

3 - 1 Combination Table

5MWXM90A9

Cooling · 230V 50Hz·

Outdoor unit	Indoor unit	Cooling capacity [kW]				Total capacity [kW]			Power input [kW]			Total current [A]			Power factor [%]
		Room ·A·	Room ·B·	Room ·C·	Room ·D·	Minimum	Nominal	Maximum	Minimum	Nominal	Maximum	Minimum	Nominal	Maximum	
5MWXM90A9	1.5+6.0+7.1	1,19	3,58	4,23	-	3,63	9,00	10,14	0,77	2,85	3,80	3,40	12,60	16,80	99
	2.0+2.0+2.0	2,00	2,00	2,00	-	2,92	6,00	6,71	0,63	1,47	1,77	3,10	7,10	8,60	91
	2.0+2.0+2.5	2,00	2,00	2,50	-	2,92	6,50	7,17	0,63	1,67	2,12	3,00	7,80	9,90	93
	2.0+2.0+3.5	2,00	2,00	3,50	-	2,93	7,50	7,88	0,63	2,18	2,66	2,90	9,90	12,00	97
	2.0+2.0+4.2	2,00	2,00	4,20	-	2,93	8,20	8,31	0,63	2,59	2,80	2,90	11,70	12,60	97
	2.0+2.0+5.0	1,78	1,78	4,44	-	2,94	8,00	8,71	0,63	2,43	3,34	2,80	10,70	14,70	99
	2.0+2.0+6.0	1,70	1,70	5,10	-	2,96	8,50	9,24	0,63	2,67	3,50	2,80	11,80	15,40	99
	2.0+2.0+7.1	1,62	1,62	5,76	-	3,16	9,00	9,54	0,66	3,05	3,65	3,00	13,40	16,10	99
	2.0+2.5+2.5	2,00	2,50	2,50	-	2,93	7,00	7,52	0,63	1,91	2,22	3,00	9,00	10,40	93
	2.0+2.5+3.5	1,88	2,34	3,28	-	2,93	7,50	8,22	0,63	2,18	2,77	2,90	9,90	12,50	97
	2.0+2.5+4.2	1,84	2,30	3,86	-	2,93	8,00	8,53	0,63	2,47	3,28	2,80	10,90	14,50	99
	2.0+2.5+5.0	1,68	2,11	4,21	-	2,94	8,00	8,83	0,63	2,42	3,38	2,80	10,70	14,90	99
	2.0+2.5+6.0	1,66	2,07	4,97	-	2,96	8,70	9,36	0,63	2,81	3,54	2,80	12,40	15,60	99
	2.0+2.5+7.1	1,55	1,94	5,51	-	3,17	9,00	9,56	0,66	3,01	3,66	3,00	13,30	16,10	99
	2.0+3.5+3.5	1,78	3,11	3,11	-	2,93	8,00	8,67	0,63	2,43	3,33	2,80	10,70	14,70	99
	2.0+3.5+4.2	1,75	3,07	3,68	-	2,94	8,50	8,88	0,63	2,78	3,33	2,80	12,20	14,70	99
	2.0+3.5+5.0	1,66	2,90	4,14	-	2,94	8,70	8,87	0,63	2,91	3,39	2,80	12,80	14,90	99
2.0+3.5+6.0	1,57	2,74	4,70	-	3,12	9,00	9,50	0,66	3,00	3,62	3,00	13,20	16,00	99	
2.0+3.5+7.1	1,43	2,50	5,07	-	3,44	9,00	9,51	0,73	3,00	3,63	3,30	13,20	16,00	99	
2.0+4.2+4.2	1,67	3,51	3,51	-	2,96	8,70	8,69	0,63	2,91	3,33	2,80	12,80	14,70	99	
2.0+4.2+5.0	1,61	3,38	4,02	-	3,12	9,00	9,09	0,66	3,11	3,51	3,00	13,70	15,50	99	
2.0+4.2+6.0	1,48	3,10	4,43	-	3,44	9,00	9,51	0,73	3,00	3,62	3,30	13,20	16,00	99	
2.0+4.2+7.1	1,35	2,84	4,80	-	3,60	9,00	9,53	0,77	3,00	3,63	3,40	13,20	16,00	99	
2.0+5.0+5.0	1,50	3,75	3,75	-	3,26	9,00	9,27	0,70	3,06	3,56	3,10	13,50	15,70	99	
2.0+5.0+6.0	1,38	3,46	4,15	-	3,45	9,00	9,70	0,73	2,95	3,68	3,30	13,00	16,20	99	
2.0+5.0+7.1	1,28	3,19	4,53	-	3,60	9,00	9,72	0,77	2,95	3,69	3,40	13,00	16,20	99	
2.0+6.0+6.0	1,29	3,86	3,86	-	3,63	9,00	10,14	0,77	2,88	3,80	3,40	12,70	16,70	99	
2.0+6.0+7.1	1,19	3,58	4,23	-	3,79	9,00	10,14	0,81	2,85	3,80	3,60	12,60	16,80	99	
2.5+2.5+2.5	2,50	2,50	2,50	-	2,93	7,50	7,87	0,63	2,18	2,65	2,90	9,90	12,00	97	
2.5+2.5+3.5	2,35	2,35	3,29	-	2,93	8,00	8,44	0,63	2,47	2,84	2,90	11,20	12,80	97	
2.5+2.5+4.2	2,17	2,17	3,65	-	2,94	8,00	8,65	0,63	2,43	3,32	2,80	10,70	14,60	99	
2.5+2.5+5.0	2,13	2,13	4,25	-	2,94	8,50	8,84	0,63	2,74	3,39	2,80	12,10	14,90	99	
2.5+2.5+6.0	2,05	2,05	4,91	-	3,12	9,00	9,37	0,66	3,01	3,54	3,00	13,30	15,60	99	
2.5+2.5+7.1	1,86	1,86	5,28	-	3,43	9,00	9,58	0,73	3,01	3,66	3,30	13,30	16,10	99	
2.5+3.5+3.5	2,11	2,95	2,95	-	2,94	8,00	8,68	0,63	2,43	3,33	2,80	10,70	14,70	99	
2.5+3.5+4.2	2,08	2,92	3,50	-	2,94	8,50	8,69	0,63	2,78	3,33	2,80	12,20	14,70	99	
2.5+3.5+5.0	2,05	2,86	4,09	-	3,10	9,00	8,89	0,66	3,11	3,39	3,00	13,70	14,90	99	
2.5+3.5+6.0	1,88	2,63	4,50	-	3,28	9,00	9,51	0,70	3,00	3,63	3,10	13,20	16,00	99	
2.5+3.5+7.1	1,72	2,40	4,88	-	3,44	9,00	9,53	0,73	3,00	3,63	3,30	13,20	16,00	99	
2.5+4.2+4.2	2,06	3,47	3,47	-	3,10	9,00	9,00	0,66	3,13	3,44	3,00	13,80	15,20	99	
2.5+4.2+5.0	1,92	3,23	3,85	-	3,14	9,00	9,10	0,66	3,10	3,51	3,00	13,70	15,50	99	
2.5+4.2+6.0	1,77	2,98	4,25	-	3,44	9,00	9,52	0,73	2,99	3,62	3,30	13,20	16,00	99	
2.5+4.2+7.1	1,63	2,74	4,63	-	3,60	9,00	9,54	0,77	2,99	3,63	3,40	13,20	16,00	99	
2.5+5.0+5.0	1,80	3,60	3,60	-	3,42	9,00	9,28	0,73	3,06	3,57	3,30	13,50	15,70	99	
2.5+5.0+6.0	1,67	3,33	4,00	-	3,61	9,00	9,72	0,77	2,95	3,68	3,40	13,00	16,20	99	
2.5+5.0+7.1	1,54	3,08	4,38	-	3,61	9,00	9,73	0,77	2,94	3,69	3,40	13,00	16,20	99	
2.5+6.0+6.0	1,55	3,72	3,72	-	3,64	9,00	10,15	0,77	2,84	3,80	3,40	12,50	16,80	99	
2.5+6.0+7.1	1,44	3,46	4,10	-	3,79	9,00	10,16	0,81	2,84	3,81	3,60	12,50	16,80	99	
3.5+3.5+3.5	2,90	2,90	2,90	-	2,94	8,70	8,83	0,63	2,91	3,38	2,80	12,80	14,90	99	
3.5+3.5+4.2	2,81	2,81	3,38	-	3,10	9,00	9,00	0,66	3,11	3,48	3,00	13,70	15,30	99	
3.5+3.5+5.0	2,63	2,63	3,75	-	3,26	9,00	9,03	0,70	3,10	3,48	3,10	13,70	15,30	99	
3.5+3.5+6.0	2,42	2,42	4,15	-	3,44	9,00	9,56	0,73	2,95	3,63	3,30	13,00	16,00	99	
3.5+3.5+7.1	2,23	2,23	4,53	-	3,60	9,00	9,58	0,77	2,95	3,64	3,40	13,00	16,00	99	
3.5+4.2+4.2	2,65	3,18	3,18	-	3,26	9,00	9,05	0,70	3,11	3,49	3,10	13,70	15,40	99	
3.5+4.2+5.0	2,48	2,98	3,54	-	3,42	9,00	9,25	0,73	3,06	3,55	3,30	13,50	15,70	99	
3.5+4.2+6.0	2,30	2,76	3,94	-	3,60	9,00	9,57	0,77	2,95	3,63	3,40	13,00	16,00	99	
3.5+4.2+7.1	2,13	2,55	4,32	-	3,76	9,00	9,96	0,81	2,95	3,78	3,60	13,00	16,60	99	
3.5+5.0+5.0	2,33	3,33	3,33	-	3,58	9,00	9,22	0,77	3,05	3,53	3,40	13,40	15,60	99	
3.5+5.0+6.0	2,17	3,10	3,72	-	3,61	9,00	9,76	0,77	2,94	3,69	3,40	13,00	16,30	99	
3.5+5.0+7.1	2,02	2,88	4,10	-	3,77	9,00	10,02	0,81	2,94	3,79	3,60	13,00	16,70	99	
3.5+6.0+6.0	2,03	3,48	3,48	-	3,80	9,00	10,19	0,81	2,84	3,81	3,60	12,50	16,80	99	
4.2+4.2+4.2	3,00	3,00	3,00	-	3,41	9,00	9,25	0,73	3,10	3,56	3,30	13,70	15,70	99	
4.2+4.2+5.0	2,82	2,82	3,36	-	3,58	9,00	9,35	0,77	3,05	3,59	3,40	13,40	15,80	99	
4.2+4.2+6.0	2,63	2,63	3,75	-	3,61	9,00	9,58	0,77	2,94	3,63	3,40	13,00	16,00	99	
4.2+4.2+7.1	2,44	2,44	4,12	-	3,76	9,00	9,99	0,81	2,94	3,78	3,60	13,00	16,70	99	
4.2+5.0+5.0	2,66	3,17	3,17	-	3,59	9,00	9,23	0,77	3,01	3,53	3,40	13,30	15,50	99	
4.2+5.0+6.0	2,49	2,96	3,55	-	3,77	9,00	10,03	0,81	2,90	3,79	3,60	12,80	16,70	99	
5.0+5.0+5.0	3,00	3,00	3,00	-	3,75	9,00	9,90	0,81	3,00	3,77	3,60	13,20	16,60	99	
1.5+1.5+1.5+1.5	1,65	1,65	1,65	1,65	3,01	6,60	7,10	0,63	1,58	1,78	3,00	7,60	8,60	91	
1.5+1.5+1.5+2.0	1,55	1,55	1,55	2,06	3,01	6,70	7,30	0,63	1,62	2,05	3,00	7,60	9,60	93	
1.5+1.5+1.5+2.5	1,50	1,50	1,50	2,50	3,01	7,00	7,50	0,63	1,73	2,10	3,00	8,10	9,80	93	
1.5+1.5+1.5+3.5	1,41	1,41	1,41	3,28	3,01	7,50	8,18	0,63	1,95	2,62	2,90	8,80	11,80	97	
1.5+1.5+1.5+4.2	1,38	1,38	1,38	3,86	3,01	8,00	8,55	0,63	2,18	3,13	2,80	9,60	13,80	99	
1.5+1.5+1.5+5.0	1,26	1,26	1,26	4,21	3,02	8,00	9,03	0,63	2,17	3,29	2,80	9,60	14,50	99	
1.5+1.5+1.5+6.0	1,24	1,24	1,24	4,97	3,04	8,70	9,50	0,63	2,49	3,44	2,80	11,00	15,10	99	
1.5+1.5+1.5+7.1	1,16	1,16	1,16	5,51	3,21	9,00	9,95	0,66	2,67	3,64	2,90	11,80	16,00	99	
1.5+1.5+2.0+2.0	1,50	1,50	2,00	2,00	3,01	7,00	7,50	0,63	1,73	2,10	3,00	8,10	9,80	93	
1.5+1.5+2.0+2.5	1,50	1,50	2,00	2,50	3,01	7,50	7,90	0,63	1,95	2,53	2,90	8,80	11,40	97	

4D155755A

3 Combination table

3 - 1 Combination Table

5MWXM90A9

Cooling -230V 50Hz-

Outdoor unit	Indoor unit	Cooling capacity [kW]				Total capacity [kW]			Power input [kW]			Total current [A]			Power factor [%]
		Room ·A·	Room ·B·	Room ·C·	Room ·D·	Minimum	Nominal	Maximum	Minimum	Nominal	Maximum	Minimum	Nominal	Maximum	
5MWXM90A9	1.5+1.5+2.0+3.5	1.41	1.41	1.88	3.29	3.01	8.00	8.42	0.63	2.19	2.70	2.90	9.90	12.20	97
	1.5+1.5+2.0+4.2	1.30	1.30	1.74	3.65	3.01	8.00	8.90	0.63	2.18	3.26	2.80	9.60	14.30	99
	1.5+1.5+2.0+5.0	1.28	1.28	1.70	4.25	3.02	8.50	9.26	0.63	2.46	3.38	2.80	10.80	14.90	99
	1.5+1.5+2.0+6.0	1.23	1.23	1.64	4.91	3.04	9.00	9.72	0.63	2.68	3.51	2.80	11.80	15.50	99
	1.5+1.5+2.0+7.1	1.12	1.12	1.49	5.28	3.21	9.00	10.05	0.66	2.67	3.68	2.90	11.80	16.20	99
	1.5+1.5+2.5+2.5	1.41	1.41	2.34	2.34	3.01	7.50	8.16	0.63	1.95	2.62	2.90	8.80	11.80	97
	1.5+1.5+2.5+3.5	1.33	1.33	2.22	3.11	3.01	8.00	8.79	0.63	2.18	3.22	2.80	9.60	14.20	99
	1.5+1.5+2.5+4.2	1.31	1.31	2.19	3.68	3.02	8.50	9.14	0.63	2.46	3.34	2.80	10.90	14.70	99
	1.5+1.5+2.5+5.0	1.24	1.24	2.07	4.14	3.02	8.70	9.49	0.63	2.54	3.46	2.80	11.20	15.20	99
	1.5+1.5+2.5+6.0	1.17	1.17	1.96	4.70	3.21	9.00	9.84	0.66	2.67	3.60	2.90	11.80	15.80	99
	1.5+1.5+2.5+7.1	1.07	1.07	1.79	5.07	3.38	9.00	10.16	0.69	2.67	3.71	3.10	11.80	16.40	99
	1.5+1.5+3.5+3.5	1.28	1.28	2.98	2.98	3.02	8.50	9.27	0.63	2.46	3.39	2.80	10.90	14.90	99
	1.5+1.5+3.5+4.2	1.26	1.26	2.94	3.53	3.02	9.00	9.39	0.63	2.74	3.42	2.80	12.10	15.10	99
	1.5+1.5+3.5+5.0	1.17	1.17	2.74	3.91	3.19	9.00	9.74	0.66	2.73	3.59	2.90	12.00	15.80	99
	1.5+1.5+3.5+6.0	1.08	1.08	2.52	4.32	3.21	9.00	10.18	0.66	2.67	3.72	2.90	11.80	16.40	99
	1.5+1.5+3.5+7.1	0.99	0.99	2.32	4.70	3.55	9.00	10.20	0.73	2.66	3.72	3.30	11.70	16.40	99
	1.5+1.5+4.2+4.2	1.18	1.18	3.32	3.32	3.19	9.00	9.61	0.66	2.73	3.54	2.90	12.00	15.60	99
1.5+1.5+4.2+5.0	1.11	1.11	3.10	3.69	3.19	9.00	9.75	0.66	2.72	3.58	2.90	12.00	15.80	99	
1.5+1.5+4.2+6.0	1.02	1.02	2.86	4.09	3.55	9.00	10.19	0.73	2.66	3.71	3.30	11.70	16.40	99	
1.5+1.5+4.2+7.1	0.94	0.94	2.64	4.47	3.71	9.00	10.20	0.77	2.66	3.72	3.40	11.70	16.40	99	
1.5+1.5+5.0+5.0	1.04	1.04	3.46	3.46	3.53	9.00	9.97	0.73	2.71	3.66	3.30	12.00	16.10	99	
1.5+1.5+5.0+6.0	0.96	0.96	3.21	3.86	3.55	9.00	10.42	0.73	2.65	3.79	3.30	11.70	16.70	99	
1.5+1.5+5.0+7.1	0.89	0.89	2.98	4.23	3.72	9.00	10.63	0.77	2.65	3.86	3.40	11.70	17.00	99	
1.5+1.5+6.0+6.0	0.90	0.90	3.60	3.60	3.74	9.00	10.74	0.77	2.60	3.87	3.40	11.50	17.10	99	
1.5+2.0+2.0+2.0	1.50	2.00	2.00	2.00	3.01	7.50	7.89	0.63	1.95	2.53	2.90	8.80	11.40	97	
1.5+2.0+2.0+2.5	1.41	1.88	1.88	2.34	3.01	7.50	8.15	0.63	1.95	2.62	2.90	8.80	11.80	97	
1.5+2.0+2.0+3.5	1.33	1.78	1.78	3.11	3.01	8.00	8.78	0.63	2.19	3.21	2.80	9.60	14.20	99	
1.5+2.0+2.0+4.2	1.31	1.75	1.75	3.68	3.01	8.50	9.12	0.63	2.46	3.34	2.80	10.90	14.70	99	
1.5+2.0+2.0+5.0	1.24	1.66	1.66	4.14	3.02	8.70	9.48	0.63	2.58	3.46	2.80	11.40	15.20	99	
1.5+2.0+2.0+6.0	1.17	1.57	1.57	4.70	3.21	9.00	9.94	0.66	2.68	3.64	2.90	11.80	16.00	99	
1.5+2.0+2.0+7.1	1.07	1.43	1.43	5.07	3.37	9.00	10.26	0.69	2.67	3.75	3.10	11.80	16.50	99	
1.5+2.0+2.5+2.5	1.41	1.88	2.35	2.35	3.01	8.00	8.52	0.63	2.21	2.73	2.90	10.00	12.30	97	
1.5+2.0+2.5+3.5	1.26	1.68	2.11	2.95	3.01	8.00	9.02	0.63	2.18	3.30	2.80	9.60	14.50	99	
1.5+2.0+2.5+4.2	1.25	1.67	2.08	3.50	3.02	8.50	9.36	0.63	2.46	3.42	2.80	10.90	15.10	99	
1.5+2.0+2.5+5.0	1.23	1.64	2.05	4.09	3.02	9.00	9.49	0.63	2.73	3.46	2.80	12.00	15.20	99	
1.5+2.0+2.5+6.0	1.13	1.50	1.88	4.50	3.21	9.00	10.05	0.66	2.67	3.67	2.90	11.80	16.20	99	
1.5+2.0+2.5+7.1	1.03	1.37	1.72	4.88	3.54	9.00	10.16	0.73	2.67	3.71	3.30	11.80	16.40	99	
1.5+2.0+3.5+3.5	1.24	1.66	2.90	2.90	3.02	8.70	9.38	0.63	2.58	3.43	2.80	11.40	15.10	99	
1.5+2.0+3.5+4.2	1.21	1.61	2.81	3.38	3.19	9.00	9.60	0.66	2.74	3.55	2.90	12.10	15.60	99	
1.5+2.0+3.5+5.0	1.13	1.50	2.63	3.75	3.19	9.00	9.74	0.66	2.73	3.59	2.90	12.00	15.80	99	
1.5+2.0+3.5+6.0	1.04	1.38	2.42	4.15	3.54	9.00	10.18	0.73	2.67	3.72	3.30	11.80	16.40	99	
1.5+2.0+3.5+7.1	0.96	1.28	2.23	4.53	3.71	9.00	10.20	0.77	2.66	3.72	3.40	11.70	16.40	99	
1.5+2.0+4.2+4.2	1.13	1.51	3.18	3.18	3.19	9.00	9.61	0.66	2.73	3.54	2.90	12.00	15.60	99	
1.5+2.0+4.2+5.0	1.06	1.42	2.98	3.54	3.52	9.00	9.75	0.73	2.72	3.58	3.30	12.00	15.80	99	
1.5+2.0+4.2+6.0	0.99	1.31	2.76	3.94	3.55	9.00	10.19	0.73	2.66	3.71	3.30	11.70	16.40	99	
1.5+2.0+4.2+7.1	0.91	1.22	2.55	4.32	3.71	9.00	10.59	0.77	2.66	3.86	3.40	11.70	17.00	99	
1.5+2.0+5.0+5.0	1.00	1.33	3.33	3.33	3.53	9.00	9.97	0.73	2.71	3.66	3.30	12.00	16.10	99	
1.5+2.0+5.0+6.0	0.93	1.24	3.10	3.72	3.72	9.00	10.42	0.77	2.65	3.79	3.40	11.70	16.70	99	
1.5+2.0+5.0+7.1	0.87	1.15	2.88	4.10	3.89	9.00	10.63	0.80	2.65	3.86	3.60	11.70	17.00	99	
1.5+2.0+6.0+6.0	0.87	1.16	3.48	3.48	3.91	9.00	10.74	0.80	2.60	3.87	3.60	11.50	17.10	99	
1.5+2.5+2.5+2.5	1.33	2.22	2.22	2.22	3.01	8.00	8.77	0.63	2.19	3.21	2.80	9.60	14.20	99	
1.5+2.5+2.5+3.5	1.28	2.13	2.13	2.98	3.01	8.50	9.25	0.63	2.46	3.38	2.80	10.90	14.90	99	
1.5+2.5+2.5+4.2	1.26	2.10	2.10	3.53	3.02	9.00	9.37	0.63	2.77	3.42	2.80	12.20	15.10	99	
1.5+2.5+2.5+5.0	1.17	1.96	1.96	3.91	3.19	9.00	9.72	0.66	2.73	3.58	2.90	12.00	15.80	99	
1.5+2.5+2.5+6.0	1.08	1.80	1.80	4.32	3.21	9.00	10.16	0.66	2.67	3.71	2.90	11.80	16.40	99	
1.5+2.5+2.5+7.1	0.99	1.65	1.65	4.70	3.54	9.00	10.18	0.73	2.67	3.72	3.30	11.80	16.40	99	
1.5+2.5+3.5+3.5	1.23	2.05	2.86	2.86	3.02	9.00	9.39	0.63	2.77	3.43	2.80	12.20	15.10	99	
1.5+2.5+3.5+4.2	1.15	1.92	2.69	3.23	3.19	9.00	9.51	0.66	2.73	3.51	2.90	12.00	15.50	99	
1.5+2.5+3.5+5.0	1.08	1.80	2.52	3.60	3.36	9.00	9.75	0.70	2.72	3.59	3.10	12.00	15.80	99	
1.5+2.5+3.5+6.0	1.00	1.67	2.33	4.00	3.55	9.00	10.19	0.73	2.66	3.72	3.30	11.70	16.40	99	
1.5+2.5+3.5+7.1	0.92	1.54	2.16	4.38	3.71	9.00	10.21	0.77	2.66	3.72	3.40	11.70	16.40	99	
1.5+2.5+4.2+4.2	1.09	1.81	3.05	3.05	3.36	9.00	9.62	0.70	2.73	3.54	3.10	12.00	15.60	99	
1.5+2.5+4.2+5.0	1.02	1.70	2.86	3.41	3.53	9.00	9.76	0.73	2.72	3.58	3.30	12.00	15.80	99	
1.5+2.5+4.2+6.0	0.95	1.58	2.66	3.80	3.72	9.00	10.20	0.77	2.66	3.72	3.40	11.70	16.40	99	
1.5+2.5+4.2+7.1	0.88	1.47	2.47	4.18	3.88	9.00	10.61	0.80	2.66	3.86	3.60	11.70	17.00	99	
1.5+2.5+5.0+5.0	0.96	1.61	3.21	3.21	3.20	9.00	9.53	0.66	2.71	3.49	2.90	12.00	15.40	99	
1.5+2.5+5.0+6.0	0.90	1.50	3.00	3.60	3.56	9.00	9.78	0.73	2.65	3.55	3.30	11.70	15.70	99	
1.5+3.5+3.5+3.5	1.13	2.63	2.63	2.63	3.19	9.00	9.53	0.66	2.73	3.51	2.90	12.00	15.50	99	
1.5+3.5+3.5+4.2	1.06	2.48	2.48	2.98	3.52	9.00	9.54	0.73	2.73	3.51	3.30	12.00	15.50	99	
1.5+3.5+3.5+5.0	1.00	2.33	2.33	3.33	3.53	9.00	9.78	0.73	2.72	3.59	3.30	12.00	15.80	99	
1.5+3.5+3.5+6.0	0.93	2.17	2.17	3.72	3.72	9.00	10.22	0.77	2.66	3.72	3.40	11.70	16.40	99	
1.5+3.5+3.5+7.1	0.87	2.02	2.02	4.10	3.88	9.00	10.61	0.80	2.66	3.86	3.60	11.70	17.00	99	
1.5+3.5+4.2+4.2	1.01	2.35	2.82	2.82	3.53	9.00	9.55	0.73	2.72	3.51	3.30	12.00	15.50	99	
1.5+3.5+4.2+5.0	0.95	2.22	2.66	3.17	3.70	9.00	9.79	0.77	2.71	3.59	3.40	12.00	15.80	99	
1.5+3.5+4.2+6.0	0.89	2.07	2.49	3.55	3.88	9.00	10.63	0.80	2.65	3.86	3.60	11.70	17.00	99	
1.5+3.5+5.0+5.0	0.90	2.10	3.00	3.00	3.70	9.00	10.53	0.77	2.67	3.85	3.40	11.80	17.00	99	
1.5+4.2+4.2+4.2	0.96	2.68	2.68	2.68	3.69	9.00	9.56	0.77	2.72	3.51	3.40	12.00	15.50	99	
1.5+4.2+4.2+5.0	0.91	2.54	2.54	3.02	3.70	9.00	10.32	0.77	2.68	3.78	3.40	11.80	16.60	99	

4D155755A

3 Combination table

3 - 1 Combination Table

5MWXM90A9

3

Cooling · 230V 50Hz ·

Outdoor unit	Indoor unit	Cooling capacity [kW]				Total capacity [kW]			Power input [kW]			Total current [A]			Power factor [%]
		Room -A-	Room -B-	Room -C-	Room -D-	Minimum	Nominal	Maximum	Minimum	Nominal	Maximum	Minimum	Nominal	Maximum	
5MWXM90A2V1B9	2.0+2.0+2.0+2.0	1,88	1,88	1,88	1,88	3,01	7,50	8,14	0,63	1,95	2,61	2,90	8,80	11,80	97
	2.0+2.0+2.0+2.5	1,88	1,88	1,88	2,35	3,01	8,00	8,51	0,63	2,22	2,73	2,90	10,00	12,30	97
	2.0+2.0+2.0+3.5	1,68	1,68	1,68	2,95	3,01	8,00	9,00	0,63	2,19	3,30	2,80	9,60	14,50	99
	2.0+2.0+2.0+4.2	1,67	1,67	1,67	3,50	3,01	8,50	9,34	0,63	2,46	3,42	2,80	10,90	15,10	99
	2.0+2.0+2.0+5.0	1,64	1,64	1,64	4,09	3,02	9,00	9,59	0,63	2,74	3,50	2,80	12,10	15,40	99
	2.0+2.0+2.0+6.0	1,50	1,50	1,50	4,50	3,21	9,00	10,04	0,66	2,68	3,67	2,90	11,80	16,20	99
	2.0+2.0+2.0+7.1	1,37	1,37	1,37	4,88	3,54	9,00	10,26	0,73	2,67	3,75	3,30	11,80	16,50	99
	2.0+2.0+2.5+2.5	1,73	1,73	2,17	2,17	3,01	7,80	8,75	0,63	2,10	3,21	2,80	9,30	14,20	99
	2.0+2.0+2.5+3.5	1,70	1,70	2,13	2,98	3,01	8,50	9,24	0,63	2,46	3,38	2,80	10,90	14,90	99
	2.0+2.0+2.5+4.2	1,68	1,68	2,10	3,53	3,02	9,00	9,36	0,63	2,77	3,42	2,80	12,20	15,10	99
	2.0+2.0+2.5+5.0	1,57	1,57	1,96	3,91	3,19	9,00	9,71	0,66	2,73	3,58	2,90	12,00	15,80	99
	2.0+2.0+2.5+6.0	1,44	1,44	1,80	4,32	3,37	9,00	10,15	0,69	2,67	3,71	3,10	11,80	16,40	99
	2.0+2.0+2.5+7.1	1,32	1,32	1,65	4,70	3,54	9,00	10,16	0,73	2,67	3,71	3,30	11,80	16,40	99
	2.0+2.0+3.5+3.5	1,64	1,64	2,86	2,86	3,02	9,00	9,38	0,63	2,77	3,43	2,80	12,20	15,10	99
	2.0+2.0+3.5+4.2	1,54	1,54	2,69	3,23	3,19	9,00	9,60	0,66	2,74	3,55	2,90	12,10	15,60	99
	2.0+2.0+3.5+5.0	1,44	1,44	2,52	3,60	3,36	9,00	9,74	0,70	2,73	3,59	3,10	12,00	15,80	99
	2.0+2.0+3.5+6.0	1,33	1,33	2,33	4,00	3,54	9,00	10,18	0,73	2,67	3,72	3,30	11,80	16,40	99
	2.0+2.0+3.5+7.1	1,23	1,23	2,16	4,38	3,71	9,00	10,20	0,77	2,66	3,72	3,40	11,70	16,40	99
	2.0+2.0+4.2+4.2	1,45	1,45	3,05	3,05	3,35	9,00	9,61	0,70	2,73	3,54	3,10	12,00	15,60	99
	2.0+2.0+4.2+5.0	1,36	1,36	2,86	3,41	3,52	9,00	9,75	0,73	2,72	3,58	3,30	12,00	15,80	99
	2.0+2.0+4.2+6.0	1,27	1,27	2,66	3,80	3,71	9,00	10,19	0,77	2,66	3,71	3,40	11,70	16,40	99
	2.0+2.0+4.2+7.1	1,18	1,18	2,47	4,18	3,88	9,00	10,59	0,80	2,66	3,86	3,60	11,70	17,00	99
	2.0+2.0+5.0+5.0	1,29	1,29	3,21	3,21	3,53	9,00	9,97	0,73	2,71	3,66	3,30	12,00	16,10	99
	2.0+2.0+5.0+6.0	1,20	1,20	3,00	3,60	3,72	9,00	10,63	0,77	2,65	3,86	3,40	11,70	17,00	99
	2.0+2.5+2.5+2.5	1,68	2,11	2,11	2,11	3,01	8,00	8,99	0,63	2,19	3,30	2,80	9,60	14,50	99
	2.0+2.5+2.5+3.5	1,66	2,07	2,07	2,90	3,01	8,70	9,36	0,63	2,58	3,42	2,80	11,40	15,10	99
	2.0+2.5+2.5+4.2	1,61	2,01	2,01	3,38	3,18	9,00	9,58	0,66	2,77	3,54	2,90	12,20	15,60	99
	2.0+2.5+2.5+5.0	1,50	1,88	1,88	3,75	3,19	9,00	9,72	0,66	2,73	3,58	2,90	12,00	15,80	99
	2.0+2.5+2.5+6.0	1,38	1,73	1,73	4,15	3,54	9,00	10,16	0,73	2,67	3,71	3,30	11,80	16,40	99
	2.0+2.5+2.5+7.1	1,28	1,60	1,60	4,53	3,71	9,00	10,18	0,77	2,67	3,72	3,40	11,80	16,40	99
	2.0+2.5+3.5+3.5	1,57	1,96	2,74	2,74	3,18	9,00	9,50	0,66	2,77	3,51	2,90	12,20	15,50	99
	2.0+2.5+3.5+4.2	1,48	1,84	2,58	3,10	3,19	9,00	9,51	0,66	2,73	3,51	2,90	12,00	15,50	99
	2.0+2.5+3.5+5.0	1,38	1,73	2,42	3,46	3,52	9,00	9,75	0,73	2,72	3,59	3,30	12,00	15,80	99
2.0+2.5+3.5+6.0	1,29	1,61	2,25	3,86	3,71	9,00	10,19	0,77	2,66	3,72	3,40	11,70	16,40	99	
2.0+2.5+3.5+7.1	1,19	1,49	2,09	4,23	3,71	9,00	10,59	0,77	2,66	3,86	3,40	11,70	17,00	99	
2.0+2.5+4.2+4.2	1,40	1,74	2,93	2,93	3,52	9,00	9,62	0,73	2,73	3,54	3,30	12,00	15,60	99	
2.0+2.5+4.2+5.0	1,31	1,64	2,76	3,28	3,53	9,00	9,76	0,73	2,72	3,58	3,30	12,00	15,80	99	
2.0+2.5+4.2+6.0	1,22	1,53	2,57	3,67	3,72	9,00	10,60	0,77	2,66	3,86	3,40	11,70	17,00	99	
2.0+2.5+5.0+5.0	1,24	1,55	3,10	3,10	3,70	9,00	9,98	0,77	2,71	3,66	3,40	12,00	16,10	99	
2.0+2.5+5.0+6.0	1,16	1,45	2,90	3,48	3,89	9,00	10,64	0,80	2,65	3,87	3,60	11,70	17,00	99	
2.0+3.5+3.5+3.5	1,44	2,52	2,52	2,52	3,35	9,00	9,53	0,70	2,73	3,51	3,10	12,00	15,50	99	
2.0+3.5+3.5+4.2	1,36	2,39	2,39	2,86	3,52	9,00	9,54	0,73	2,73	3,51	3,30	12,00	15,50	99	
2.0+3.5+3.5+5.0	1,29	2,25	2,25	3,21	3,69	9,00	9,78	0,77	2,72	3,59	3,40	12,00	15,80	99	
2.0+3.5+3.5+6.0	1,20	2,10	2,10	3,60	3,72	9,00	10,61	0,77	2,66	3,86	3,40	11,70	17,00	99	
2.0+3.5+4.2+4.2	1,29	2,27	2,72	2,72	3,69	9,00	9,55	0,77	2,72	3,51	3,40	12,00	15,50	99	
2.0+3.5+4.2+5.0	1,22	2,14	2,57	3,06	3,70	9,00	10,21	0,77	2,71	3,74	3,40	12,00	16,50	99	
2.0+3.5+5.0+5.0	1,16	2,03	2,90	2,90	3,87	9,00	10,53	0,80	2,67	3,85	3,60	11,80	17,00	99	
2.0+4.2+4.2+4.2	1,23	2,59	2,59	2,59	3,69	9,00	9,56	0,77	2,72	3,51	3,40	12,00	15,50	99	
2.0+4.2+4.2+5.0	1,17	2,45	2,45	2,92	3,86	9,00	10,22	0,80	2,68	3,74	3,60	11,80	16,50	99	
2.5+2.5+2.5+2.5	2,13	2,13	2,13	2,13	3,01	8,50	9,23	0,63	2,46	3,38	2,80	10,90	14,90	99	
2.5+2.5+2.5+3.5	2,05	2,05	2,05	2,86	3,02	9,00	9,37	0,63	2,77	3,42	2,80	12,20	15,10	99	
2.5+2.5+2.5+4.2	1,92	1,92	1,92	3,23	3,19	9,00	9,59	0,66	2,74	3,54	2,90	12,10	15,60	99	
2.5+2.5+2.5+5.0	1,80	1,80	1,80	3,60	3,36	9,00	9,73	0,70	2,73	3,58	3,10	12,00	15,80	99	
2.5+2.5+2.5+6.0	1,67	1,67	1,67	4,00	3,54	9,00	10,17	0,73	2,67	3,71	3,30	11,80	16,40	99	
2.5+2.5+2.5+7.1	1,54	1,54	1,54	4,38	3,71	9,00	10,19	0,77	2,67	3,72	3,40	11,80	16,40	99	
2.5+2.5+3.5+3.5	1,88	1,88	2,63	2,63	3,19	9,00	9,51	0,66	2,74	3,51	2,90	12,10	15,50	99	
2.5+2.5+3.5+4.2	1,77	1,77	2,48	2,98	3,52	9,00	9,52	0,73	2,73	3,51	3,30	12,00	15,50	99	
2.5+2.5+3.5+5.0	1,67	1,67	2,33	3,33	3,53	9,00	9,76	0,73	2,72	3,59	3,30	12,00	15,80	99	
2.5+2.5+3.5+6.0	1,55	1,55	2,17	3,72	3,71	9,00	10,20	0,77	2,66	3,72	3,40	11,70	16,40	99	
2.5+2.5+3.5+7.1	1,44	1,44	2,02	4,10	3,88	9,00	10,60	0,80	2,66	3,86	3,60	11,70	17,00	99	
2.5+2.5+4.2+4.2	1,68	1,68	2,82	2,82	3,52	9,00	9,53	0,73	2,73	3,51	3,30	12,00	15,40	99	
2.5+2.5+4.2+5.0	1,58	1,58	2,66	3,17	3,69	9,00	9,77	0,77	2,72	3,59	3,40	12,00	15,80	99	
2.5+2.5+4.2+6.0	1,48	1,48	2,49	3,55	3,88	9,00	10,61	0,80	2,66	3,86	3,60	11,70	17,00	99	
2.5+2.5+5.0+5.0	1,50	1,50	3,00	3,00	3,70	9,00	10,51	0,77	2,68	3,85	3,40	11,80	17,00	99	
2.5+3.5+3.5+3.5	1,73	2,42	2,42	2,42	3,52	9,00	9,54	0,73	2,73	3,52	3,30	12,00	15,50	99	
2.5+3.5+3.5+4.2	1,64	2,30	2,30	2,76	3,52	9,00	9,55	0,73	2,72	3,51	3,30	12,00	15,50	99	
2.5+3.5+3.5+5.0	1,55	2,17	2,17	3,10	3,69	9,00	9,79	0,77	2,72	3,59	3,40	12,00	15,80	99	
2.5+3.5+3.5+6.0	1,45	2,03	2,03	3,48	3,88	9,00	10,62	0,80	2,65	3,86	3,60	11,70	17,00	99	
2.5+3.5+4.2+4.2	1,56	2,19	2,63	2,63	3,69	9,00	9,56	0,77	2,72	3,51	3,40	12,00	15,50	99	
2.5+3.5+4.2+5.0	1,48	2,07	2,49	2,96	3,86	9,00	10,22	0,80	2,71	3,74	3,60	12,00	16,50	99	
2.5+4.2+4.2+4.2	1,49	2,50	2,50	2,50	3,86	9,00	10,09	0,80	2,72	3,70	3,60	12,00	16,30	99	
3.5+3.5+3.5+3.5	2,25	2,25	2,25	2,25	3,69	9,00	9,58	0,77	2,72	3,52	3,40	12,00	15,50	99	
3.5+3.5+3.5+4.2	2,14	2,14	2,14	2,57	3,69	9,00	10,11	0,77	2,72	3,71	3,40	12,00	16,30	99	
3.5+3.5+3.5+5.0	2,03	2,03	2,03	2,90	3,86	9,00	10,24	0,80	2,68	3,75	3,60	11,80	16,50	99	
3.5+3.5+4.2+4.2	2,05	2,05	2,45	2,45	3,86	9,00	10,12	0,80	2,71	3,71	3,60	12,00	16,30	99	

4D155755A

3 Combination table

3 - 1 Combination Table

5MWXM90A9

Notes

- 1) The total capacity of each connected indoor unit is up to ·15.6·kW.
- 2) The values mentioned in this document are for connecting with the following indoor unit types:
 ·1.5, 2.0, 2.5, 3.5, 4.2, 5.0, 6.0, 7.1· kW class
 Wall-mounted ·CTXA-AW, CTXA-BB, CTXA-BS, CTXA-BT, CTXA-CW, CTXA-CB, CTXA-CS, CTXM-R, CTXM-A, FTXA-AW, FTXA-BB, FTXA-BS, FTXA-BT, FTXA-CW, FTXA-CB, FTXA-CS, FTXM-R, FTXM-A, FTXJ-AB, FTXJ-AS, FTXJ-AW, FTXJ-AB9, FTXJ-AS9, FTXJ-AW9· series
- 3) Heating capacity conditions
 Indoor temperature ·20·°C DB
 Outdoor temperature ·7·°C DB / ·6·°C WB

4D155756

5MWXM90A9

Heating ·230V 50Hz·

Outdoor unit	Indoor unit	Heating capacity [kW]				Total capacity [kW]			Power input [kW]			Total current [A]			Power factor [%]	
		Room -A-	Room -B-	Room -C-	Room -D-	Minimum	Nominal	Maximum	Minimum	Nominal	Maximum	Minimum	Nominal	Maximum		
5MWXM90A2V1B9	1.5	2.70	-	-	-	2.20	2.70	4.16	0.45	0.57	1.11	2.40	2.90	5.70	86	
	2.0	3.00	-	-	-	2.20	3.00	4.46	0.45	0.65	1.19	2.40	3.30	6.10	86	
	2.5	3.40	-	-	-	2.20	3.40	4.91	0.45	0.76	1.29	2.30	3.90	6.60	86	
	3.5	4.36	-	-	-	2.20	4.36	5.35	0.45	1.05	1.65	2.20	5.20	8.10	89	
	4.2	5.23	-	-	-	2.21	5.23	6.20	0.44	1.33	2.59	2.10	6.00	11.50	98	
	5.0	6.21	-	-	-	2.21	6.21	7.85	0.44	1.67	3.18	2.00	7.50	14.20	98	
	6.0	7.46	-	-	-	2.29	7.46	9.12	0.47	2.18	3.57	2.10	9.70	15.90	98	
	7.1	8.82	-	-	-	2.56	8.82	9.49	0.50	2.88	4.01	2.30	12.70	17.70	99	
	1.5+1.5	1.85	1.85	-	-	-	2.23	3.70	7.18	0.42	0.78	1.92	2.10	3.90	9.40	89
	1.5+2.0	1.84	2.46	-	-	-	2.23	4.30	7.18	0.42	0.94	1.92	2.10	4.60	9.40	89
	1.5+2.5	1.84	3.06	-	-	-	2.23	4.90	8.03	0.42	1.11	2.86	1.90	5.00	12.80	98
	1.5+3.5	1.83	4.27	-	-	-	2.23	6.10	8.69	0.42	1.53	3.09	1.90	6.80	13.80	98
	1.5+4.2	1.84	5.16	-	-	-	2.40	7.00	8.98	0.45	1.82	3.12	2.00	8.10	13.90	98
	1.5+5.0	1.85	6.15	-	-	-	2.56	8.00	10.48	0.48	2.22	3.86	2.20	9.80	17.00	99
	1.5+6.0	1.80	7.20	-	-	-	2.89	9.00	10.74	0.54	2.59	4.03	2.40	11.40	17.80	99
	1.5+7.1	1.74	8.26	-	-	-	3.21	10.00	10.75	0.60	3.06	3.97	2.70	13.50	17.50	99
	2.0+2.0	2.45	2.45	-	-	-	2.23	4.90	8.03	0.42	1.12	2.89	2.00	5.00	12.90	98
	2.0+2.5	2.44	3.06	-	-	-	2.23	5.50	8.30	0.42	1.30	2.95	1.90	5.80	13.20	98
	2.0+3.5	2.44	4.26	-	-	-	2.23	6.70	8.83	0.42	1.75	3.14	1.90	7.80	14.00	98
	2.0+4.2	2.45	5.15	-	-	-	2.40	7.60	9.11	0.45	2.09	3.16	2.00	9.30	14.10	98
	2.0+5.0	2.43	6.07	-	-	-	2.73	8.50	10.74	0.51	2.44	3.96	2.30	10.70	17.40	99
	2.0+6.0	2.33	6.96	-	-	-	3.05	9.30	10.87	0.57	2.75	4.08	2.60	12.10	18.00	99
	2.0+7.1	2.20	7.80	-	-	-	3.37	10.00	11.01	0.63	3.06	4.39	2.90	13.50	19.30	99
	2.5+2.5	3.05	3.05	-	-	-	2.23	6.10	8.57	0.42	1.51	3.01	1.90	6.80	13.40	98
	2.5+3.5	3.04	4.26	-	-	-	2.40	7.30	9.22	0.45	1.98	3.27	2.10	8.80	14.60	98
	2.5+4.2	3.06	5.14	-	-	-	2.56	8.20	9.51	0.48	2.32	3.55	2.20	10.30	15.70	99
	2.5+5.0	3.00	6.00	-	-	-	2.89	9.00	10.74	0.54	2.65	4.17	2.50	11.70	18.30	99
	2.5+6.0	2.82	6.78	-	-	-	3.21	9.60	11.01	0.60	2.86	4.08	2.70	12.60	18.00	99
	2.5+7.1	2.60	7.40	-	-	-	3.52	10.00	11.27	0.67	3.03	4.43	3.00	13.30	19.50	99
	3.5+3.5	4.25	4.25	-	-	-	2.89	8.50	9.60	0.56	2.56	3.73	2.50	11.30	16.40	99
	3.5+4.2	4.09	4.91	-	-	-	3.05	9.00	10.26	0.58	2.74	4.10	2.60	12.10	18.00	99
	3.5+5.0	3.91	5.59	-	-	-	3.21	9.50	11.00	0.61	2.95	4.26	2.80	13.00	18.80	99
	3.5+6.0	3.68	6.32	-	-	-	3.37	10.00	11.25	0.64	3.07	4.51	2.90	13.50	19.80	99
	3.5+7.1	3.30	6.70	-	-	-	3.84	10.00	11.27	0.74	3.03	4.43	3.30	13.30	19.50	99
	4.2+4.2	4.75	4.75	-	-	-	3.21	9.50	10.05	0.61	2.89	3.86	2.70	12.80	17.00	99
	4.2+5.0	4.57	5.43	-	-	-	3.37	10.00	11.04	0.64	3.09	4.46	2.90	13.60	19.60	99
	4.2+6.0	4.12	5.88	-	-	-	3.68	10.00	11.30	0.69	2.97	4.36	3.10	13.10	19.20	99
	4.2+7.1	3.72	6.28	-	-	-	4.14	10.00	11.31	0.80	2.94	4.29	3.60	13.00	18.90	99
	5.0+5.0	5.00	5.00	-	-	-	3.68	10.00	11.13	0.70	3.02	4.37	3.20	13.30	19.20	99
	5.0+6.0	4.55	5.45	-	-	-	3.83	10.00	11.40	0.72	2.92	4.28	3.30	12.90	18.80	99
	5.0+7.1	4.13	5.87	-	-	-	4.14	10.00	11.41	0.79	2.87	4.21	3.50	12.70	18.50	99
	6.0+6.0	5.00	5.00	-	-	-	4.14	10.00	11.14	0.78	2.79	4.01	3.50	12.30	17.60	99
	6.0+7.1	4.58	5.42	-	-	-	4.60	10.00	11.28	0.88	2.76	3.99	3.90	12.20	17.60	99
	7.1+7.1	5.00	5.00	-	-	-	4.90	10.00	11.29	0.94	2.72	3.93	4.20	12.00	17.30	99
	1.5+1.5+1.5	1.83	1.83	1.83	-	-	2.25	5.50	10.04	0.40	1.18	3.04	1.80	5.30	13.60	98
	1.5+1.5+2.0	1.83	1.83	2.44	-	-	2.25	6.10	10.18	0.40	1.36	3.08	1.80	6.10	13.70	98
	1.5+1.5+2.5	1.83	1.83	3.05	-	-	2.25	6.70	10.31	0.40	1.54	3.09	1.80	6.90	13.80	98
	1.5+1.5+3.5	1.85	1.85	4.31	-	-	2.57	8.00	10.45	0.46	2.01	3.41	2.10	8.90	15.00	99
	1.5+1.5+4.2	1.81	1.81	5.08	-	-	2.89	8.70	10.47	0.51	2.22	3.31	2.30	9.80	14.60	99
	1.5+1.5+5.0	1.74	1.74	5.81	-	-	3.05	9.30	10.53	0.54	2.44	3.44	2.40	10.80	15.20	99
1.5+1.5+6.0	1.58	1.58	6.33	-	-	3.36	9.50	11.21	0.59	2.44	3.78	2.70	10.70	16.70	99	

4D155756

3 Combination table

3 - 1 Combination Table

5MWXM90A9

Heating 230V 50Hz

Outdoor unit	Indoor unit	Heating capacity [kW]				Total capacity [kW]			Power input [kW]			Total current [A]			Power factor [%]
		Room-A	Room-B	Room-C	Room-D	Minimum	Nominal	Maximum	Minimum	Nominal	Maximum	Minimum	Nominal	Maximum	
5MWXM90A2V1B9	1.5+1.5+7.1	1.49	1.49	7.03	-	3.67	10.00	11.21	0.65	2.62	3.73	2.99	11.60	16.40	99
	1.5+2.0+2.0	1.83	2.44	2.44	-	2.25	6.70	10.31	0.40	1.55	3.12	1.80	7.00	13.90	98
	1.5+2.0+2.5	1.83	2.43	3.04	-	2.41	7.30	10.45	0.43	1.74	3.16	2.00	7.80	14.00	98
	1.5+2.0+3.5	1.82	2.43	4.25	-	2.73	8.50	10.58	0.49	2.21	3.45	2.20	9.70	15.70	99
	1.5+2.0+4.2	1.75	2.34	4.91	-	3.05	9.00	10.61	0.54	2.37	3.55	2.50	10.40	15.70	99
	1.5+2.0+5.0	1.76	2.35	5.88	-	3.21	10.00	10.94	0.57	2.74	3.58	2.60	12.10	15.80	99
	1.5+2.0+6.0	1.58	2.11	6.32	-	3.52	10.00	11.21	0.62	2.65	3.78	2.80	11.70	16.70	99
	1.5+2.0+7.1	1.42	1.89	6.70	-	3.83	10.00	11.22	0.68	2.62	3.73	3.10	11.60	16.40	99
	1.5+2.5+2.5	1.85	3.08	3.08	-	2.57	8.00	10.59	0.46	1.99	3.42	2.10	8.80	15.10	99
	1.5+2.5+3.5	1.80	3.00	4.20	-	2.89	9.00	10.72	0.52	2.40	3.67	2.30	10.60	16.20	99
	1.5+2.5+4.2	1.83	3.05	5.12	-	3.05	10.00	10.75	0.54	2.77	3.56	2.50	12.20	15.70	99
	1.5+2.5+5.0	1.67	2.78	5.96	-	3.26	10.00	11.08	0.60	2.71	3.84	2.70	12.00	16.90	99
	1.5+2.5+6.0	1.50	2.50	6.00	-	3.67	10.00	11.22	0.65	2.63	3.74	2.90	11.60	16.50	99
	1.5+2.5+7.1	1.35	2.25	6.40	-	3.98	10.00	11.22	0.71	2.60	3.69	3.20	11.50	16.30	99
	1.5+3+3+5.5	1.76	4.12	4.12	-	3.21	10.00	10.72	0.58	2.87	3.67	2.60	12.60	16.20	99
	1.5+3+4+2	1.63	3.80	4.57	-	3.36	10.00	10.88	0.60	2.77	3.87	2.70	12.20	17.00	99
	1.5+3+5+5.0	1.50	3.50	5.00	-	3.67	10.00	11.08	0.66	2.71	3.84	3.00	12.00	16.90	99
	1.5+3+5+6.0	1.38	3.18	5.45	-	3.83	10.00	11.22	0.68	2.63	3.74	3.10	11.60	16.50	99
	1.5+3+5+7.1	1.24	2.89	5.87	-	4.13	10.00	11.22	0.74	2.60	3.69	3.30	11.50	16.30	99
	1.5+4+2+4.2	1.52	4.24	4.24	-	3.52	10.00	10.91	0.63	2.69	3.75	2.80	11.90	16.50	99
	1.5+4+2+5.0	1.40	3.93	4.67	-	3.83	10.00	11.09	0.68	2.64	3.73	3.10	11.70	16.40	99
	1.5+4+2+6.0	1.28	3.59	5.13	-	4.13	10.00	11.37	0.74	2.57	3.69	3.30	11.30	16.20	99
	1.5+4+2+7.1	1.17	3.28	5.55	-	4.44	10.00	11.37	0.80	2.54	3.64	3.60	11.20	16.00	99
	1.5+5+0+5.0	1.30	4.35	4.35	-	4.13	10.00	11.26	0.74	2.60	3.70	3.30	11.50	16.30	99
	1.5+5+0+6.0	1.20	4.00	4.80	-	4.29	10.00	11.54	0.76	2.53	3.67	3.40	11.10	16.20	99
	1.5+5+0+7.1	1.10	3.68	5.22	-	4.59	10.00	11.54	0.82	2.50	3.62	3.70	11.00	16.00	99
	1.5+6+0+6.0	1.11	4.44	4.44	-	4.59	10.00	11.68	0.81	2.46	3.60	3.70	10.80	15.80	99
	1.5+6+0+7.1	1.32	3.97	4.70	-	4.89	10.00	11.88	0.87	2.44	3.56	3.90	10.70	15.70	99
	2.0+2+0+2.0	2.50	2.50	2.50	-	2.41	7.50	10.58	0.43	1.94	3.23	2.00	8.20	14.40	98
	2.0+2+0+2.5	2.46	2.46	3.08	-	2.57	8.00	10.59	0.46	2.01	3.46	2.10	8.90	15.20	99
	2.0+2+0+3.5	2.40	2.40	4.20	-	2.89	9.00	10.72	0.52	2.43	3.71	2.30	10.70	16.30	99
	2.0+2+0+4.2	2.29	2.29	4.81	-	3.05	9.40	10.75	0.54	2.54	3.60	2.50	11.20	15.90	99
	2.0+2+0+5.0	2.22	2.22	5.66	-	3.36	10.00	10.94	0.60	2.74	3.84	2.70	12.10	16.90	99
	2.0+2+0+6.0	2.00	2.00	6.00	-	3.67	10.00	11.22	0.65	2.65	3.79	2.90	11.70	16.70	99
	2.0+2+0+7.1	1.80	1.80	6.40	-	3.98	10.00	11.22	0.71	2.62	3.73	3.20	11.60	16.40	99
	2.0+2+5+2.5	2.43	3.04	3.04	-	2.73	8.50	10.59	0.49	2.19	3.42	2.20	9.70	15.10	99
	2.0+2+5+3.5	2.33	2.91	4.07	-	3.05	9.30	10.73	0.55	2.53	3.67	2.50	11.20	16.20	99
	2.0+2+5+4.2	2.30	2.87	4.83	-	3.21	10.00	10.89	0.57	2.77	3.87	2.60	12.20	17.00	99
	2.0+2+5+5.0	2.11	2.63	5.26	-	3.52	10.00	11.21	0.63	2.71	3.89	2.80	12.00	17.10	99
	2.0+2+5+6.0	1.90	2.38	5.71	-	3.83	10.00	11.22	0.68	2.63	3.75	3.10	11.60	16.50	99
	2.0+2+5+7.1	1.72	2.16	6.12	-	4.13	10.00	11.22	0.74	2.60	3.70	3.30	11.50	16.30	99
	2.0+3+5+3.5	2.22	3.89	3.89	-	3.36	10.00	10.86	0.61	2.87	4.00	2.80	12.60	17.60	99
	2.0+3+5+4.2	2.06	3.61	4.33	-	3.52	10.00	11.02	0.64	2.77	3.92	2.90	12.20	17.30	99
	2.0+3+5+5.0	1.90	3.33	4.76	-	3.83	10.00	11.35	0.69	2.71	3.94	3.10	12.00	17.30	99
	2.0+3+5+6.0	1.74	3.04	5.22	-	4.09	10.00	11.35	0.74	2.63	3.79	3.20	11.70	16.90	99
	2.0+3+5+7.1	1.59	2.78	5.63	-	4.29	10.00	11.36	0.78	2.60	3.74	3.50	11.50	16.50	99
	2.0+4+2+4.2	1.92	4.04	4.04	-	3.67	10.00	11.04	0.66	2.89	3.80	2.90	11.90	16.70	99
	2.0+4+2+5.0	1.79	3.75	4.46	-	3.98	10.00	11.37	0.72	2.64	3.82	3.20	11.70	16.80	99
	2.0+4+2+6.0	1.64	3.44	4.92	-	4.29	10.00	11.37	0.77	2.57	3.69	3.40	11.30	16.20	99
	2.0+4+2+7.1	1.50	3.16	5.34	-	4.59	10.00	11.51	0.83	2.54	3.68	3.70	11.20	16.20	99
2.0+5+0+5.0	1.67	4.17	4.17	-	4.13	10.00	11.13	0.74	2.60	3.66	3.30	11.50	16.10	99	

4D155756

5MWXM90A9

Heating 230V 50Hz

Outdoor unit	Indoor unit	Heating capacity [kW]				Total capacity [kW]			Power input [kW]			Total current [A]			Power factor [%]
		Room-A	Room-B	Room-C	Room-D	Minimum	Nominal	Maximum	Minimum	Nominal	Maximum	Minimum	Nominal	Maximum	
5MWXM90A2V1B9	2.0+5+0+6.0	1.54	3.85	4.62	-	4.44	10.00	11.41	0.79	2.53	3.62	3.60	11.10	16.00	99
	2.0+5+0+7.1	1.42	3.55	5.04	-	4.74	10.00	11.41	0.86	2.50	3.58	3.80	11.00	15.80	99
	2.0+6+0+6.0	1.43	4.29	4.29	-	4.74	10.00	11.54	0.85	2.46	3.56	3.80	10.80	15.70	99
	2.0+6+0+7.1	1.32	3.97	4.70	-	5.04	10.00	11.68	0.91	2.44	3.56	4.00	10.70	15.70	99
	2.0+2+5+2.5	3.33	3.33	3.33	-	2.89	10.00	10.73	0.51	2.84	3.63	2.30	12.50	16.80	99
	2.5+2+5+3.5	2.94	2.94	4.12	-	3.21	10.00	11.00	0.58	2.84	3.72	2.60	12.50	16.40	99
	2.5+2+5+4.2	2.72	2.72	4.57	-	3.36	10.00	11.16	0.60	2.74	3.92	2.70	12.10	17.30	99
	2.5+2+5+5.0	2.50	2.50	5.00	-	3.67	10.00	11.35	0.66	2.69	3.89	2.90	11.80	17.10	99
	2.5+2+5+6.0	2.27	2.27	5.45	-	3.83	10.00	11.36	0.68	2.61	3.75	3.00	11.50	16.50	99
	2.5+2+5+7.1	2.07	2.07	5.87	-	4.13	10.00	11.50	0.74	2.58	3.75	3.30	11.40	16.50	99
	2.5+3+5+3.5	2.63	3.68	3.68	-	3.52	10.00	11.26	0.64	2.84	4.09	2.90	12.50	18.00	99
	2.5+3+5+4.2	2.45	3.43	4.12	-	3.67	10.00	11.29	0.67	2.74	3.96	3.00	12.10	17.50	99
	2.5+3+5+5.0	2.27	3.18	4.55	-	3.83	10.00	11.35	0.69	2.69	3.89	3.10	11.80	17.10	99
	2.5+3+5+6.0	2.08	2.92	5.00	-	4.13	10.00	11.36	0.74	2.61	3.75	3.30	11.50	16.50	99
	2.5+3+5+7.1	1.91	2.67	5.42	-	4.44	10.00	11.50	0.81	2.58	3.75	3.60	11.40	16.50	99
	2.5+4+2+4.2	2.29	3.85	3.85	-	3.83	10.00	11.31	0.69	2.67	3.85	3.10	11.80	17.00	99
	2.5+4+2+5.0	2.14	3.59	4.27	-	4.13	10.00	11.37	0.75	2.62	3.78	3.30	11.60	16.70	99
	2.5+4+2+6.0	1.97	3.31	4.72	-	4.44	10.00	11.38	0.80	2.54	3.65	3.60	11.20	16.10	99
	2.5+4+2+7.1	1.81	3.04	5.14	-	4.74	10.00	11.52	0.86	2.52	3.65	3.90	11.10	16.10	99
	2.5+5+0+5.0	2.00	4.00	4.00	-	4.29	10.00	11.13	0.77	2.58	3.62	3.50	11.40	16.00	99
	2.5+5+0+6.0	1.85	3.70	4.44	-	4.59	10.00	11.41	0.82	2.51	3.59	3.70	11.10	15.80	99
	2.5+5+0+7.1	1.71	3.42	4.86	-	4.89	10.00	11.41	0.88	2.48	3.55	4.00	11.00	15.60	99
	2.5+6+0+6.0	1.72	4.14	4.14	-	4.89	10.00	11.55	0.88	2.44	3.53	3.90	10.80	15.50	99
	2.5+6+0+7.1	1.60	3.85	4.55	-	5.34	10.00	11.68	0.97	2.42	3.53	4.40	10.70	15.50	99
	3.5+3+5+3.5	3.33	3.33	3.33	-	3.68	10.00	11.26	0.68	2.84	4.09	3.00	12.50	18.00	99
	3.5+3+5+4.2	3.13	3.13	3.75	-	3.98	10.00	11.29	0.73	2.74	3.96	3.30	12.10	17.50	99
	3.5+3+5+5.0	2.92	2.92	4.17	-	4.14	10.00	11.35	0.76	2.69	3.89	3.40	11.80	17.10	99
	3.5+3+5+6.0	2.69	2.69	4.62	-	4.44	10.00								

3 Combination table

3 - 1 Combination Table

5MWXM90A9

Heating - 230V 50Hz

Outdoor unit	Indoor unit	Heating capacity [kW]				Total capacity [kW]			Power input [kW]			Total current [A]			Power factor [%]
		Room -A-	Room -B-	Room -C-	Room -D-	Minimum	Nominal	Maximum	Minimum	Nominal	Maximum	Minimum	Nominal	Maximum	
5MWXM90A2V1B9	15+1.5+1.5+7.1	1.29	1.29	1.29	6.12	4.13	10.00	11.69	0.70	2.34	3.42	3.10	10.30	15.10	99
	15+1.5+2.0+2.0	1.82	1.82	2.43	2.43	2.89	8.50	10.57	0.49	1.97	3.00	2.20	8.70	13.20	99
	15+1.5+2.0+2.5	1.80	1.80	2.40	3.00	3.05	9.00	10.71	0.52	2.12	3.17	2.30	9.40	14.00	99
	15+1.5+2.0+3.5	1.78	1.76	2.35	4.12	3.20	10.00	10.71	0.55	2.51	3.17	2.50	11.10	14.00	99
	15+1.5+2.0+4.2	1.63	1.63	2.17	4.57	3.52	10.00	11.27	0.60	2.46	3.47	2.70	10.90	15.30	99
	15+1.5+2.0+5.0	1.50	1.50	2.00	5.00	3.67	10.00	11.42	0.62	2.42	3.46	2.80	10.70	15.20	99
	15+1.5+2.0+6.0	1.36	1.36	1.82	5.45	3.98	10.00	11.55	0.67	2.36	3.41	3.00	10.40	15.00	99
	15+1.5+2.0+7.1	1.24	1.24	1.65	5.87	4.28	10.00	11.69	0.73	2.34	3.42	3.30	10.30	15.10	99
	15+1.5+2.5+2.5	1.88	1.88	3.13	3.13	3.05	10.00	10.71	0.52	2.49	3.14	2.30	11.00	13.90	99
	15+1.5+2.5+3.5	1.67	1.67	2.78	3.89	3.36	10.00	11.26	0.57	2.49	3.53	2.60	11.00	15.50	99
	15+1.5+2.5+4.2	1.55	1.55	2.58	4.33	3.51	10.00	11.27	0.60	2.45	3.44	2.70	10.80	15.20	99
	15+1.5+2.5+5.0	1.43	1.43	2.38	4.76	3.82	10.00	11.42	0.65	2.41	3.43	2.80	10.60	15.10	99
	15+1.5+2.5+6.0	1.30	1.30	2.17	5.22	4.13	10.00	11.55	0.70	2.34	3.38	3.20	10.30	14.90	99
	15+1.5+2.5+7.1	1.19	1.19	1.98	5.63	4.43	10.00	11.69	0.76	2.32	3.39	3.40	10.30	15.00	99
	15+1.5+3+3+3.5	1.50	1.50	3.50	3.50	3.67	10.00	11.26	0.63	2.49	3.53	2.90	11.00	15.50	99
	15+1.5+3+4.2	1.40	1.40	3.27	3.93	3.82	10.00	11.27	0.65	2.45	3.44	2.90	10.80	15.20	99
	15+1.5+3+5+5.0	1.30	1.30	3.04	4.35	4.13	10.00	11.42	0.71	2.41	3.43	3.20	10.60	15.10	99
	15+1.5+3+5+6.0	1.20	1.20	2.80	4.80	4.28	10.00	11.55	0.73	2.34	3.38	3.30	10.30	14.90	99
	15+1.5+3+5+7.1	1.10	1.10	2.57	5.22	4.59	10.00	11.69	0.79	2.32	3.39	3.50	10.30	15.00	99
	15+1.5+4+2+4.2	1.32	1.32	3.68	3.68	3.98	10.00	11.27	0.68	2.40	3.37	3.00	10.60	14.80	99
	15+1.5+4+2+5.0	1.23	1.23	3.44	4.10	4.28	10.00	11.41	0.73	2.35	3.36	3.30	10.40	14.80	99
	15+1.5+4+2+6.0	1.14	1.14	3.18	4.55	4.59	10.00	11.69	0.78	2.30	3.36	3.50	10.20	14.80	99
	15+1.5+4+2+7.1	1.05	1.05	2.94	4.97	4.89	10.00	11.70	0.84	2.29	3.34	3.80	10.10	14.70	99
	15+1.5+5+0+5.0	1.15	1.15	3.85	3.85	4.43	10.00	11.53	0.76	2.32	3.34	3.40	10.20	14.70	99
	15+1.5+5+0+6.0	1.07	1.07	3.57	4.29	4.74	10.00	11.80	0.81	2.28	3.35	3.60	10.10	14.70	99
	15+1.5+5+0+7.1	0.99	0.99	3.31	4.70	5.04	10.00	11.81	0.87	2.27	3.33	3.90	10.00	14.70	99
	15+1.5+6+0+6.0	1.00	1.00	4.00	4.00	5.04	10.00	11.93	0.86	2.25	3.33	3.90	9.90	14.70	99
	15+2.0+2.0+2.0	1.90	2.33	2.53	2.53	3.05	9.50	10.71	0.52	2.33	3.20	2.30	10.30	14.10	99
	15+2.0+2.0+2.5	1.88	2.50	2.50	3.13	3.05	10.00	10.85	0.52	2.51	3.21	2.30	11.10	14.20	99
	15+2.0+2.0+3.5	1.67	2.22	2.22	3.89	3.36	10.00	11.26	0.57	2.51	3.56	2.60	11.10	15.70	99
	15+2.0+2.0+4.2	1.55	2.06	2.06	4.33	3.52	10.00	11.27	0.60	2.46	3.47	2.70	10.90	15.30	99
	15+2.0+2.0+5.0	1.43	1.90	1.90	4.76	3.82	10.00	11.42	0.65	2.42	3.46	2.90	10.70	15.20	99
	15+2.0+2.0+6.0	1.30	1.74	1.74	5.22	4.13	10.00	11.55	0.70	2.36	3.41	3.20	10.40	15.00	99
	15+2.0+2.0+7.1	1.19	1.59	1.59	5.63	4.43	10.00	11.69	0.76	2.34	3.42	3.40	10.30	15.10	99
	15+2.0+2.5+2.5	1.76	2.35	2.94	2.94	3.20	10.00	10.85	0.54	2.49	3.18	2.50	11.00	14.00	99
	15+2.0+2.5+3.5	1.58	2.11	2.63	3.68	3.52	10.00	11.26	0.60	2.49	3.53	2.70	11.00	15.50	99
	15+2.0+2.5+4.2	1.47	1.96	2.45	4.12	3.67	10.00	11.27	0.62	2.45	3.44	2.80	10.80	15.20	99
	15+2.0+2.5+5.0	1.36	1.82	2.27	4.55	3.98	10.00	11.42	0.68	2.41	3.43	3.00	10.60	15.10	99
	15+2.0+2.5+6.0	1.25	1.67	2.08	5.00	4.28	10.00	11.55	0.73	2.34	3.38	3.30	10.30	14.90	99
	15+2.0+2.5+7.1	1.15	1.53	1.91	5.42	4.59	10.00	11.69	0.79	2.32	3.39	3.50	10.30	15.00	99
	15+2.0+3+3+3.5	1.43	1.90	3.33	3.33	3.82	10.00	11.26	0.66	2.49	3.53	3.00	11.00	15.50	99
	15+2.0+3+3+4.2	1.34	1.79	3.13	3.75	3.98	10.00	11.27	0.68	2.45	3.44	3.10	10.80	15.20	99
	15+2.0+3+3+5.0	1.25	1.67	2.92	4.17	4.28	10.00	11.42	0.74	2.41	3.43	3.30	10.60	15.10	99
	15+2.0+3+3+6.0	1.15	1.54	2.69	4.62	4.43	10.00	11.55	0.76	2.34	3.38	3.40	10.30	14.90	99
	15+2.0+3+4+7.1	1.05	1.42	2.48	5.04	4.74	10.00	11.69	0.82	2.32	3.39	3.70	10.30	15.00	99
	15+2.0+4+2+4.2	1.26	1.68	3.53	3.53	4.13	10.00	11.28	0.71	2.40	3.37	3.20	10.60	14.80	99
	15+2.0+4+2+5.0	1.18	1.57	3.31	3.94	4.43	10.00	11.41	0.76	2.35	3.36	3.40	10.40	14.80	99
	15+2.0+4+2+6.0	1.09	1.46	3.07	4.38	4.74	10.00	11.69	0.81	2.30	3.36	3.70	10.20	14.80	99
	15+2.0+4+2+7.1	1.01	1.35	2.84	4.80	5.04	10.00	11.71	0.87	2.29	3.34	3.90	10.10	14.70	99
	15+2.0+5+0+5.0	1.11	1.48	3.70	3.70	4.59	10.00	11.52	0.79	2.32	3.34	3.50	10.20	14.70	99
15+2.0+5+0+6.0	1.03	1.38	3.45	4.14	4.89	10.00	11.79	0.84	2.28	3.35	3.70	10.10	14.80	99	

4D155756

5MWXM90A9

Heating - 230V 50Hz

Outdoor unit	Indoor unit	Heating capacity [kW]				Total capacity [kW]			Power input [kW]			Total current [A]			Power factor [%]
		Room -A-	Room -B-	Room -C-	Room -D-	Minimum	Nominal	Maximum	Minimum	Nominal	Maximum	Minimum	Nominal	Maximum	
5MWXM90A2V1B9	15+2.0+6+0+6.0	0.96	1.28	3.21	4.55	5.19	10.00	11.82	0.90	2.27	3.34	4.00	10.00	14.70	99
	15+2.0+6+0+6.0	0.97	1.29	3.87	3.87	5.19	10.00	11.93	0.89	2.25	3.33	4.00	9.90	14.70	99
	15+2.5+2.5+2.5	1.67	2.78	2.78	2.78	3.36	10.00	11.26	0.57	2.48	3.50	2.60	10.90	15.40	99
	15+2.5+2.5+3.5	1.50	2.50	2.50	3.50	3.67	10.00	11.26	0.63	2.48	3.50	2.60	10.90	15.40	99
	15+2.5+2.5+4.2	1.40	2.34	2.34	3.93	3.82	10.00	11.27	0.65	2.43	3.42	2.90	10.70	15.10	99
	15+2.5+2.5+5.0	1.30	2.17	2.17	4.35	4.13	10.00	11.41	0.71	2.40	3.40	3.20	10.60	15.00	99
	15+2.5+2.5+6.0	1.20	2.00	2.00	4.80	4.28	10.00	11.55	0.73	2.33	3.36	3.30	10.30	14.80	99
	15+2.5+2.5+7.1	1.10	1.84	1.84	5.22	4.59	10.00	11.69	0.78	2.31	3.37	3.50	10.20	14.90	99
	15+2.5+3+3+3.5	1.36	2.27	3.18	3.18	3.98	10.00	11.26	0.69	2.48	3.50	3.10	10.90	15.40	99
	15+2.5+3+3+4.2	1.28	2.14	2.99	3.59	4.13	10.00	11.27	0.71	2.43	3.42	3.20	10.70	15.10	99
	15+2.5+3+3+5.0	1.20	2.00	2.80	4.00	4.28	10.00	11.41	0.74	2.40	3.40	3.30	10.60	15.00	99
	15+2.5+3+3+6.0	1.11	1.85	2.59	4.44	4.59	10.00	11.55	0.79	2.33	3.36	3.50	10.30	14.80	99
	15+2.5+3+3+7.1	1.03	1.71	2.40	4.86	4.89	10.00	11.69	0.85	2.31	3.37	3.80	10.20	14.90	99
	15+2.5+4+2+4.2	1.21	2.02	3.39	3.39	4.28	10.00	11.28	0.73	2.37	3.34	3.30	10.40	14.70	99
	15+2.5+4+2+5.0	1.14	1.89	3.18	3.79	4.59	10.00	11.41	0.79	2.34	3.33	3.60	10.30	14.70	99
	15+2.5+4+2+6.0	1.06	1.76	2.96	4.23	4.89	10.00	11.68	0.84	2.29	3.34	3.80	10.10	14.70	99
	15+2.5+4+2+7.1	0.98	1.63	2.75	4.64	5.19	10.00	11.69	0.90	2.28	3.32	4.00	10.10	14.60	99
	15+2.5+5+0+5.0	1.07	1.79	3.57	3.57	4.59	10.00	11.52	0.78	2.31	3.32	3.50	10.20	14.60	99
	15+2.5+5+0+6.0	1.00	1.67	3.33	4.00	4.59	10.00	11.53	0.78	2.27	3.26	3.50	10.00	14.40	99
	15+3.5+3+3+3.5	1.25	2.92	2.92	2.92	4.13	10.00	11.26	0.72	2.48	3.50	3.30	10.90	15.40	99
	15+3.5+3+3+4.2	1.18	2.76	2.76	3.31	4.44	10.00	11.27	0.77	2.43	3.42	3.50	10.70	15.10	99
	15+3.5+3+3+5.0	1.11	2.59	2.59	3.70	4.59	10.00	11.41	0.80	2.40	3.40	3.60	10.60	15.00	99
	15+3.5+3+3+6.0	1.03	2.41	2.41	4.14	4.89	10.00	11.69	0.85	2.33	3.40	3.80	10.30	15.00	99
	15+3.5+3+3+7.1	0.96	2.24	2.24	4.55	5.19	10.00	11.70	0.91	2.31	3.38	4.10	10.20	14.90	99
	15+3.5+4+2+4.2	1.12	2.61	3.13	3.13	4.59	10.00	11.28							

3 Combination table

3 - 1 Combination Table

3

5MWXM90A9

Heating - 230V 50Hz-

Outdoor unit	Indoor unit	Heating capacity [kW]				Total capacity [kW]			Power input [kW]			Total current [A]			Power factor [%]
		Room -A-	Room -B-	Room -C-	Room -D-	Minimum	Nominal	Maximum	Minimum	Nominal	Maximum	Minimum	Nominal	Maximum	
5MWXM90A2V1B9	2.0+2.0+4.2+7.1	1.31	1.31	2.75	4.64	5.19	10.00	11.69	0.91	2.29	3.34	4.00	10.10	14.70	99
	2.0+2.0+5.0+5.0	1.43	1.43	3.57	3.57	4.74	10.00	11.52	0.82	2.32	3.34	3.70	10.20	14.70	99
	2.0+2.0+5.0+6.0	1.33	1.33	3.33	4.00	5.04	10.00	11.79	0.87	2.28	3.35	3.90	10.10	14.80	99
	2.0+2.5+2.5+2.5	2.11	2.63	2.63	2.63	3.52	10.00	11.27	0.60	2.48	3.50	2.70	10.90	15.40	99
	2.0+2.5+2.5+3.5	1.90	2.38	2.38	3.33	3.82	10.00	11.27	0.66	2.48	3.50	2.90	10.90	15.40	99
	2.0+2.5+2.5+4.2	1.79	2.23	2.23	3.75	3.98	10.00	11.27	0.68	2.43	3.42	3.10	10.70	15.10	99
	2.0+2.5+2.5+5.0	1.67	2.08	2.08	4.17	4.28	10.00	11.41	0.74	2.40	3.40	3.30	10.60	15.00	99
	2.0+2.5+2.5+6.0	1.54	1.92	1.92	4.62	4.43	10.00	11.55	0.76	2.33	3.36	3.40	10.30	14.80	99
	2.0+2.5+2.5+7.1	1.42	1.77	1.77	5.04	4.74	10.00	11.69	0.82	2.31	3.37	3.70	10.20	14.90	99
	2.0+2.5+3.5+3.5	1.74	2.17	3.04	3.04	4.13	10.00	11.27	0.72	2.48	3.50	3.30	10.90	15.40	99
	2.0+2.5+3.5+4.2	1.64	2.05	2.87	3.44	4.28	10.00	11.27	0.74	2.43	3.42	3.30	10.70	15.10	99
	2.0+2.5+3.5+5.0	1.54	1.92	2.69	3.85	4.43	10.00	11.41	0.77	2.40	3.40	3.40	10.60	15.00	99
	2.0+2.5+3.5+6.0	1.43	1.79	2.50	4.29	4.74	10.00	11.55	0.82	2.33	3.36	3.70	10.30	14.80	99
	2.0+2.5+3.5+7.1	1.32	1.66	2.32	4.70	5.04	10.00	11.69	0.88	2.31	3.37	3.90	10.20	14.90	99
	2.0+2.5+4.2+4.2	1.55	1.94	3.26	3.26	4.43	10.00	11.28	0.77	2.37	3.34	3.40	10.40	14.70	99
	2.0+2.5+4.2+5.0	1.46	1.82	3.07	3.65	4.74	10.00	11.41	0.82	2.34	3.33	3.70	10.30	14.70	99
	2.0+2.5+4.2+6.0	1.36	1.70	2.86	4.08	4.89	10.00	11.68	0.84	2.29	3.34	3.80	10.10	14.70	99
	2.0+2.5+5.0+5.0	1.38	1.72	3.45	3.45	4.89	10.00	11.52	0.85	2.31	3.32	3.80	10.20	14.60	99
	2.0+2.5+5.0+6.0	1.29	1.61	3.23	3.87	5.19	10.00	11.79	0.90	2.27	3.33	4.00	10.00	14.70	99
	2.0+3.5+3.5+3.5	1.60	2.80	2.80	2.80	4.28	10.00	11.27	0.75	2.48	3.50	3.40	10.90	15.40	99
	2.0+3.5+3.5+4.2	1.52	2.65	2.65	3.18	4.59	10.00	11.27	0.81	2.43	3.42	3.60	10.70	15.10	99
	2.0+3.5+3.5+5.0	1.43	2.50	2.50	3.57	4.74	10.00	11.41	0.83	2.40	3.40	3.70	10.60	15.00	99
	2.0+3.5+3.5+6.0	1.33	2.33	2.33	4.00	5.04	10.00	11.69	0.88	2.33	3.40	4.00	10.30	15.00	99
	2.0+3.5+4.2+4.2	1.44	2.52	3.02	3.02	4.74	10.00	11.28	0.83	2.37	3.34	3.70	10.40	14.70	99
	2.0+3.5+4.2+5.0	1.36	2.38	2.86	3.40	4.89	10.00	11.41	0.85	2.34	3.33	3.80	10.30	14.70	99
	2.0+3.5+5.0+5.0	1.29	2.26	3.23	3.23	5.19	10.00	11.52	0.91	2.31	3.32	4.10	10.20	14.60	99
	2.0+4.2+4.2+4.2	1.37	2.88	2.88	2.88	4.89	10.00	11.28	0.85	2.32	3.28	3.80	10.30	14.50	99
	2.0+4.2+4.2+5.0	1.30	2.73	2.73	3.25	5.19	10.00	11.40	0.91	2.30	3.27	4.00	10.10	14.40	99
	2.5+2.5+2.5+2.5	2.50	2.50	2.50	2.50	3.67	10.00	11.27	0.63	2.46	3.47	2.80	10.80	15.30	99
	2.5+2.5+2.5+3.5	2.27	2.27	2.27	3.18	3.98	10.00	11.27	0.69	2.46	3.47	3.10	10.80	15.30	99
	2.5+2.5+2.5+4.2	2.14	2.14	2.14	3.59	4.13	10.00	11.27	0.71	2.41	3.39	3.20	10.60	14.90	99
	2.5+2.5+2.5+5.0	2.00	2.00	2.00	4.00	4.28	10.00	11.41	0.73	2.36	3.38	3.30	10.40	14.90	99
	2.5+2.5+2.5+6.0	1.85	1.85	1.85	4.44	4.59	10.00	11.55	0.79	2.31	3.34	3.50	10.20	14.70	99
	2.5+2.5+2.5+7.1	1.71	1.71	1.71	4.86	4.89	10.00	11.69	0.84	2.30	3.35	3.80	10.10	14.80	99
	2.5+2.5+3.5+3.5	2.08	2.08	2.92	2.92	4.13	10.00	11.27	0.72	2.46	3.47	3.20	10.80	15.30	99
	2.5+2.5+3.5+4.2	1.97	1.97	2.76	3.31	4.44	10.00	11.27	0.77	2.41	3.39	3.50	10.60	14.90	99
	2.5+2.5+3.5+5.0	1.85	1.85	2.59	3.70	4.59	10.00	11.41	0.80	2.36	3.38	3.60	10.40	14.90	99
	2.5+2.5+3.5+6.0	1.72	1.72	2.41	4.14	4.89	10.00	11.55	0.85	2.31	3.34	3.80	10.20	14.70	99
	2.5+2.5+3.5+7.1	1.60	1.60	2.24	4.55	5.19	10.00	11.69	0.91	2.30	3.35	4.00	10.10	14.80	99
	2.5+2.5+4.2+4.2	1.87	1.87	3.13	3.13	4.59	10.00	11.28	0.79	2.35	3.32	3.60	10.40	14.60	99
	2.5+2.5+4.2+5.0	1.76	1.76	2.96	3.52	4.89	10.00	11.41	0.85	2.32	3.31	3.80	10.30	14.60	99
	2.5+2.5+4.2+6.0	1.64	1.64	2.76	3.95	5.04	10.00	11.68	0.87	2.28	3.32	3.90	10.10	14.60	99
	2.5+2.5+5.0+5.0	1.67	1.67	3.33	3.33	5.04	10.00	11.52	0.88	2.30	3.30	3.90	10.10	14.50	99
	2.5+3.5+3.5+3.5	1.92	2.69	2.69	2.69	4.44	10.00	11.27	0.78	2.46	3.47	3.50	10.80	15.30	99
	2.5+3.5+3.5+4.2	1.82	2.55	2.55	3.07	4.59	10.00	11.27	0.80	2.41	3.39	3.60	10.60	14.90	99
	2.5+3.5+3.5+5.0	1.72	2.41	2.41	3.45	4.89	10.00	11.41	0.86	2.36	3.38	3.80	10.40	14.90	99
	2.5+3.5+3.5+6.0	1.61	2.26	2.26	3.87	5.19	10.00	11.69	0.91	2.31	3.38	4.10	10.20	14.90	99
	2.5+3.5+4.2+4.2	1.74	2.43	2.92	2.92	4.89	10.00	11.28	0.86	2.35	3.32	3.80	10.40	14.60	99
	2.5+3.5+4.2+5.0	1.64	2.30	2.76	3.29	5.04	10.00	11.41	0.88	2.32	3.31	4.00	10.30	14.60	99
	2.5+4.2+4.2+4.2	1.66	2.78	2.78	2.78	5.04	10.00	11.28	0.88	2.31	3.26	3.90	10.20	14.40	99
3.5+3.5+3.5+3.5	2.50	2.50	2.50	2.50	4.74	10.00	11.27	0.85	2.46	3.47	3.80	10.80	15.30	99	

4D155756

5MWXM90A9

Heating - 230V 50Hz-

Outdoor unit	Indoor unit	Heating capacity [kW]				Total capacity [kW]			Power input [kW]			Total current [A]			Power factor [%]
		Room -A-	Room -B-	Room -C-	Room -D-	Minimum	Nominal	Maximum	Minimum	Nominal	Maximum	Minimum	Nominal	Maximum	
5MWXM90A2V1B9	3.5+3.5+3.5+4.2	2,38	2,38	2,38	2,86	4,89	10,00	11,27	0,87	2,41	3,39	3,90	10,60	14,90	99
	3.5+3.5+3.5+5.0	2,26	2,26	2,26	3,23	5,19	10,00	11,41	0,93	2,36	3,38	4,10	10,40	14,90	99
	3.5+3.5+4.2+4.2	2,27	2,27	2,73	2,73	5,19	10,00	11,28	0,92	2,35	3,32	4,10	10,40	14,60	99

4D155756

4 Capacity tables

4 - 1 Cooling Capacity Tables

5MWXM68A9

Cooling -50Hz 230V

①	②	Indoor air temperature [°C WB]											
		14°C		16°C		18°C		19°C		22°C		24°C	
		TC	PI	TC	PI	TC	PI	TC	PI	TC	PI	TC	PI
1.5+2.5+2.5+2.5	22.0	8.22	2.51	8.58	2.56	8.93	2.62	9.11	2.64	9.65	2.73	10.01	2.78
	25.0	8.01	2.61	8.37	2.66	8.72	2.72	8.90	2.75	9.43	2.83	9.78	2.88
	32.0	7.50	2.87	7.86	2.92	8.22	2.98	8.39	3.00	8.93	3.08	9.28	3.14
	35.0	7.26	2.99	7.64	3.04	8.00	3.10	8.18	3.12	8.71	3.20	9.07	3.26
	40.0	6.92	3.19	7.28	3.25	7.64	3.30	7.82	3.33	8.35	3.41	8.71	3.46
1.5+2.5+2.5+3.5	22.0	8.53	2.59	8.90	2.65	9.27	2.71	9.45	2.73	10.01	2.83	10.38	2.88
	25.0	8.31	2.70	8.68	2.76	9.05	2.81	9.23	2.85	9.78	2.93	10.14	2.98
	32.0	7.78	2.97	8.16	3.02	8.52	3.08	8.71	3.11	9.26	3.19	9.63	3.25
	35.0	7.56	3.09	7.93	3.15	8.30	3.20	8.49	3.23	9.04	3.31	9.41	3.37
	40.0	7.18	3.30	7.56	3.36	7.93	3.41	8.11	3.44	8.66	3.53	9.03	3.58
1.5+2.5+2.5+4.5	22.0	8.54	2.59	8.92	2.65	9.28	2.71	9.46	2.73	10.02	2.82	10.39	2.88
	25.0	8.32	2.70	8.69	2.75	9.06	2.81	9.24	2.84	9.80	2.93	10.15	2.98
	32.0	7.79	2.96	8.17	3.02	8.53	3.08	8.72	3.10	9.27	3.19	9.64	3.25
	35.0	7.57	3.09	7.94	3.14	8.31	3.20	8.50	3.22	9.05	3.31	9.42	3.37
	40.0	7.19	3.30	7.57	3.36	7.94	3.41	8.12	3.44	8.67	3.52	9.04	3.58
1.5+2.5+3.5+3.5	22.0	8.76	2.66	9.14	2.71	9.51	2.77	9.70	2.80	10.28	2.89	10.65	2.95
	25.0	8.53	2.76	8.91	2.82	9.29	2.88	9.47	2.91	10.04	3.00	10.41	3.06
	32.0	7.99	3.04	8.37	3.09	8.75	3.15	8.94	3.18	9.51	3.26	9.89	3.33
	35.0	7.76	3.16	8.14	3.22	8.52	3.28	8.71	3.30	9.28	3.39	9.65	3.45
	40.0	7.24	3.26	7.59	3.26	7.92	3.28	8.09	3.28	8.58	3.26	8.89	3.26
2.0+2.0+2.0+2.0	22.0	7.82	2.09	8.17	2.14	8.50	2.18	8.67	2.21	9.18	2.28	9.52	2.32
	25.0	7.62	2.18	7.96	2.22	8.30	2.27	8.47	2.30	8.97	2.36	9.30	2.41
	32.0	7.14	2.39	7.48	2.44	7.82	2.48	7.99	2.51	8.49	2.57	8.83	2.62
	35.0	6.93	2.49	7.27	2.54	7.61	2.58	7.78	2.60	8.29	2.67	8.63	2.72
	40.0	6.59	2.66	6.93	2.71	7.27	2.76	7.44	2.78	7.95	2.84	8.28	2.89
2.0+2.0+2.0+2.5	22.0	7.99	2.13	8.34	2.18	8.68	2.23	8.85	2.25	9.37	2.33	9.72	2.37
	25.0	7.78	2.22	8.13	2.27	8.47	2.32	8.64	2.34	9.16	2.41	9.50	2.46
	32.0	7.29	2.44	7.64	2.49	7.98	2.53	8.15	2.56	8.67	2.62	9.02	2.67
	35.0	7.08	2.54	7.42	2.59	7.77	2.64	7.95	2.65	8.46	2.73	8.81	2.77
	40.0	6.72	2.72	7.07	2.77	7.42	2.81	7.59	2.83	8.11	2.90	8.46	2.95
2.0+2.5+2.5+3.5	22.0	8.38	2.55	8.74	2.61	9.10	2.66	9.28	2.69	9.83	2.78	10.19	2.84
	25.0	8.16	2.66	8.52	2.71	8.88	2.77	9.06	2.80	9.61	2.88	9.98	2.94
	32.0	7.64	2.92	8.01	2.98	8.37	3.03	8.55	3.06	9.10	3.14	9.46	3.20
	35.0	7.42	3.04	7.79	3.10	8.15	3.15	8.33	3.18	8.88	3.26	9.24	3.32
	40.0	7.05	3.25	7.42	3.31	7.78	3.36	7.96	3.39	8.51	3.47	8.87	3.53

①	②	Indoor air temperature [°C WB]											
		14°C		16°C		18°C		19°C		22°C		24°C	
		TC	PI	TC	PI	TC	PI	TC	PI	TC	PI	TC	PI
2.0+2.0+2.0+4.2	22.0	8.53	2.59	8.90	2.65	9.27	2.71	9.45	2.74	10.01	2.83	10.38	2.88
	25.0	8.31	2.70	8.68	2.76	9.05	2.81	9.23	2.85	9.78	2.93	10.14	2.98
	32.0	7.78	2.97	8.16	3.02	8.52	3.08	8.71	3.11	9.26	3.19	9.63	3.25
	35.0	7.56	3.09	7.93	3.15	8.30	3.21	8.49	3.23	9.04	3.31	9.41	3.37
	40.0	7.18	3.30	7.56	3.36	7.93	3.42	8.11	3.44	8.66	3.53	9.03	3.58
2.0+2.0+2.0+5.0	22.0	8.96	2.72	9.35	2.78	9.74	2.83	9.93	2.86	10.52	2.96	10.90	3.02
	25.0	8.73	2.83	9.12	2.89	9.50	2.95	9.70	2.98	10.28	3.07	10.65	3.13
	32.0	8.18	3.11	8.57	3.17	8.95	3.22	9.15	3.25	9.73	3.34	10.12	3.40
	35.0	7.94	3.24	8.33	3.29	8.72	3.35	8.91	3.38	9.50	3.47	9.88	3.53
	40.0	7.54	3.46	7.89	3.51	8.24	3.51	8.41	3.51	8.92	3.51	9.25	3.51
2.0+2.0+2.5+2.5	22.0	8.14	2.48	8.50	2.54	8.84	2.59	9.02	2.62	9.55	2.71	9.91	2.76
	25.0	7.93	2.59	8.28	2.64	8.63	2.69	8.81	2.73	9.34	2.80	9.68	2.86
	32.0	7.43	2.84	7.78	2.90	8.13	2.95	8.31	2.98	8.84	3.05	9.19	3.11
	35.0	7.21	2.96	7.57	3.01	7.92	3.07	8.10	3.09	8.63	3.17	8.98	3.23
	40.0	6.85	3.16	7.21	3.22	7.56	3.27	7.74	3.30	8.27	3.38	8.62	3.43
2.0+2.0+2.5+3.5	22.0	8.53	2.60	8.90	2.65	9.27	2.71	9.45	2.74	10.01	2.83	10.38	2.88
	25.0	8.31	2.70	8.68	2.76	9.05	2.82	9.23	2.85	9.78	2.93	10.14	2.98
	32.0	7.78	2.97	8.16	3.03	8.52	3.08	8.71	3.11	9.26	3.19	9.63	3.25
	35.0	7.56	3.09	7.93	3.15	8.30	3.21	8.49	3.23	9.04	3.32	9.41	3.37
	40.0	7.18	3.31	7.56	3.36	7.93	3.42	8.11	3.45	8.66	3.53	9.03	3.58
2.0+2.0+2.5+4.2	22.0	8.69	2.64	9.07	2.70	9.44	2.75	9.62	2.78	10.19	2.87	10.57	2.93
	25.0	8.46	2.75	8.84	2.80	9.21	2.86	9.40	2.89	9.96	2.98	10.33	3.04
	32.0	7.92	3.02	8.30	3.08	8.68	3.13	8.87	3.16	9.43	3.24	9.81	3.30
	35.0	7.69	3.14	8.07	3.20	8.45	3.26	8.64	3.28	9.20	3.37	9.58	3.43
	40.0	7.31	3.36	7.69	3.42	8.07	3.47	8.26	3.50	8.82	3.59	9.20	3.64
2.0+2.0+3.5+3.5	22.0	8.83	2.68	9.22	2.74	9.59	2.80	9.78	2.83	10.36	2.92	10.74	2.96
	25.0	8.60	2.79	9.08	2.85	9.36	2.91	9.55	2.94	10.13	3.03	10.50	3.08
	32.0	8.05	3.07	8.44	3.12	8.82	3.18	9.01	3.21	9.59	3.29	9.97	3.36
	35.0	7.82	3.19	8.21	3.25	8.59	3.31	8.78	3.33	9.35	3.42	9.73	3.48
	40.0	7.31	3.29	7.66	3.29	7.99	3.29	8.16	3.29	8.65	3.29	8.96	3.29

Symbols
 TC: Total capacity [kW]
 PI: Power input [kW]
 ① Indoor unit combinations
 ② Outdoor air temperature [°C DB]

4D155718

5MWXM68A9

Cooling -50Hz 230V

①	②	Indoor air temperature [°C WB]											
		14°C		16°C		18°C		19°C		22°C		24°C	
		TC	PI	TC	PI	TC	PI	TC	PI	TC	PI	TC	PI
2.0+2.5+2.5+3.5	22.0	8,68	2,64	9,05	2,70	9,42	2,75	9,61	2,78	10,18	2,87	10,55	2,93
	25.0	8,45	2,74	8,83	2,80	9,20	2,86	9,39	2,89	9,95	2,98	10,31	3,04
	32.0	7,91	3,02	8,29	3,07	8,67	3,13	8,85	3,16	9,42	3,24	9,79	3,30
	35.0	7,68	3,14	8,06	3,20	8,44	3,26	8,63	3,28	9,19	3,37	9,56	3,43
	40.0	7,30	3,36	7,68	3,42	8,06	3,47	8,25	3,50	8,81	3,58	9,19	3,64
2.5+2.5+2.5+2.5	22.0	8,60	2,66	8,98	2,70	9,35	2,76	9,53	2,78	10,10	2,85	10,47	2,91
	25.0	8,38	2,74	8,75	2,80	9,12	2,84	9,31	2,87	9,87	2,96	10,23	3,01
	32.0	7,85	3,00	8,23	3,05	8,59	3,11	8,78	3,14	9,34	3,22	9,71	3,28
	35.0	7,62	3,12	8,00	3,18	8,37	3,23	8,56	3,26	9,12	3,34	9,49	3,40
	40.0	7,24	3,33	7,62	3,39	7,99	3,45	8,18	3,48	8,74	3,56	9,11	3,62
2.5+2.5+2.5+3.5	22.0	8,95	2,73	9,34	2,79	9,72	2,84	9,92	2,87	10,50	2,96	10,89	3,02
	25.0	8,72	2,83	9,11	2,89	9,49	2,95	9,69	2,98	10,27	3,07	10,64	3,13
	32.0	8,17	3,11	8,56	3,17	8,94	3,23	9,14	3,26	9,72	3,34	10,11	3,40

4 Capacity tables

4 - 1 Cooling Capacity Tables

5MWXM68A9

Notes

1. The capacities are based on the following conditions:

Corresponding refrigerant piping length: ·5· m

Level difference: ·0·m

2. The bold cells indicate the standard conditions.

3. The values above are for connecting with the following indoor unit types:

·1.5, 2.0, 2.5, 3.5, 4.2, 5.0, 6.0· kW class

Wall-mounted ·CTXA-AW, CTXA-BB, CTXA-BS, CTXA-BT, CTXA-CW, CTXA-CB, CTXA-CS, CTXM-R, CTXM-A, FTXA-AW, FTXA-BB, FTXA-BS, FTXA-BT, FTXA-CW, FTXA-CB, FTXA-CS, FTXM-R, FTXM-A, FTXJ-AB, FTXJ-AS, FTXJ-AW, FTXJ-AB9, FTXJ-AS9, FTXJ-AW9· series

4D155718

5MWXM68A9

Cooling-50Hz/230V-

①	②	Indoor air temperature [°C WB]															
		14°C			16°C			18°C			19°C			22°C		24°C	
		TC	PI	KW	TC	PI	KW	TC	PI	KW	TC	PI	KW	TC	PI	TC	PI
1.5	22.0	2.51	0.47	2.62	0.49	2.72	0.50	2.78	0.50	2.94	0.52	3.05	0.53				
	25.0	2.44	0.49	2.55	0.50	2.66	0.52	2.71	0.52	2.87	0.54	2.98	0.55				
	32.0	2.29	0.54	2.40	0.55	2.50	0.56	2.56	0.57	2.72	0.58	2.83	0.59				
	35.0	2.22	0.57	2.33	0.58	2.44	0.59	2.49	0.59	2.66	0.61	2.76	0.62				
	40.0	2.11	0.60	2.22	0.62	2.33	0.63	2.38	0.63	2.55	0.65	2.65	0.66				
	43.0	2.04	0.63	2.16	0.64	2.26	0.65	2.32	0.66	2.48	0.67	2.59	0.68				
46.0	1.96	0.65	2.08	0.67	2.19	0.68	2.25	0.68	2.41	0.70	2.52	0.71					
2.0	22.0	3.02	0.57	3.15	0.58	3.28	0.60	3.34	0.60	3.54	0.62	3.67	0.63				
	25.0	2.94	0.59	3.07	0.61	3.20	0.62	3.26	0.63	3.46	0.65	3.59	0.66				
	32.0	2.75	0.65	2.88	0.67	3.01	0.68	3.08	0.68	3.27	0.70	3.41	0.72				
	35.0	2.67	0.68	2.80	0.69	2.93	0.71	3.00	0.71	3.20	0.73	3.33	0.74				
	40.0	2.54	0.73	2.67	0.74	2.80	0.75	2.87	0.76	3.06	0.78	3.19	0.79				
	43.0	2.46	0.76	2.59	0.77	2.73	0.78	2.79	0.79	2.99	0.81	3.12	0.82				
46.0	2.35	0.78	2.50	0.80	2.64	0.81	2.70	0.82	2.90	0.84	3.03	0.85					
2.5	22.0	3.46	0.69	3.61	0.70	3.75	0.71	3.83	0.71	4.01	0.73	4.13	0.74				
	25.0	3.36	0.71	3.52	0.72	3.66	0.73	3.74	0.73	3.94	0.75	4.06	0.76				
	32.0	3.15	0.75	3.30	0.76	3.45	0.78	3.53	0.78	3.75	0.80	3.89	0.82				
	35.0	3.06	0.78	3.21	0.79	3.36	0.81	3.44	0.81	3.66	0.83	3.81	0.85				
	40.0	2.91	0.83	3.06	0.85	3.21	0.86	3.29	0.87	3.51	0.89	3.66	0.90				
	43.0	2.82	0.87	2.97	0.88	3.12	0.90	3.20	0.90	3.42	0.92	3.58	0.93				
46.0	2.73	0.89	2.87	0.91	3.02	0.92	3.10	0.93	3.32	0.94	3.47	0.95					
3.5	22.0	3.02	0.60	3.69	0.77	4.41	0.96	4.70	1.03	4.98	1.07	5.16	1.09				
	25.0	3.02	0.64	3.69	0.82	4.41	1.03	4.59	1.08	4.87	1.11	5.04	1.13				
	32.0	3.02	0.77	3.69	0.99	4.24	1.17	4.33	1.18	4.61	1.21	4.79	1.23				
	35.0	3.02	0.83	3.69	1.08	4.13	1.21	4.22	1.22	4.50	1.25	4.68	1.28				
	40.0	3.02	0.96	3.69	1.24	3.94	1.29	4.03	1.30	4.31	1.33	4.49	1.35				
	43.0	3.02	1.04	3.65	1.32	3.83	1.34	3.93	1.35	4.20	1.39	4.39	1.41				
46.0	3.02	1.14	3.52	1.38	3.71	1.40	3.80	1.41	4.08	1.44	4.26	1.46					
4.2	22.0	3.44	0.73	4.11	0.93	4.83	1.16	5.16	1.25	5.47	1.29	5.67	1.31				
	25.0	3.44	0.78	4.11	0.99	4.83	1.25	5.04	1.30	5.34	1.34	5.54	1.36				
	32.0	3.44	0.93	4.11	1.20	4.66	1.40	4.76	1.42	5.06	1.45	5.26	1.48				
	35.0	3.44	1.00	4.11	1.30	4.53	1.46	4.64	1.47	4.94	1.51	5.14	1.54				
	40.0	3.44	1.15	4.11	1.49	4.33	1.56	4.43	1.57	4.73	1.61	4.93	1.63				
	43.0	3.44	1.26	4.01	1.59	4.21	1.62	4.31	1.63	4.62	1.67	4.82	1.70				
46.0	3.44	1.38	3.87	1.66	4.07	1.68	4.18	1.70	4.48	1.74	4.68	1.76					
5.0	22.0	4.45	1.02	5.44	1.34	6.59	1.79	6.72	1.81	7.11	1.87	7.38	1.90				
	25.0	4.45	1.10	5.44	1.45	6.43	1.86	6.56	1.88	6.95	1.93	7.21	1.97				
	32.0	4.45	1.32	5.44	1.77	6.06	2.03	6.18	2.05	6.58	2.11	6.84	2.15				
	35.0	4.45	1.44	5.44	1.95	5.90	2.12	6.03	2.13	6.42	2.19	6.68	2.23				
	40.0	4.45	1.68	5.44	2.21	5.63	2.25	5.76	2.27	6.16	2.33	6.42	2.36				
	43.0	4.45	1.86	5.13	2.24	5.37	2.24	5.49	2.24	5.83	2.24	6.05	2.24				
46.0	4.23	1.73	4.42	1.73	4.60	1.73	4.69	1.73	4.96	1.73	5.13	1.73					
6.0	22.0	4.93	1.10	5.92	1.45	7.11	1.93	7.25	1.95	7.68	2.01	7.96	2.05				
	25.0	4.93	1.19	5.92	1.56	6.94	2.00	7.08	2.03	7.50	2.09	7.78	2.13				
	32.0	4.93	1.42	5.92	1.91	6.54	2.19	6.68	2.21	7.10	2.27	7.38	2.31				
	35.0	4.93	1.55	5.92	2.10	6.36	2.28	6.51	2.30	6.93	2.36	7.21	2.40				
	40.0	4.93	1.81	5.92	2.39	6.08	2.43	6.22	2.45	6.64	2.51	6.83	2.55				
	43.0	4.93	2.01	5.61	2.42	5.85	2.42	5.97	2.42	6.31	2.42	6.53	2.42				
46.0	4.71	1.87	4.90	1.87	5.08	1.87	5.17	1.87	5.44	1.87	5.61	1.87					

①	②	Indoor air temperature [°C WB]															
		14°C			16°C			18°C			19°C			22°C		24°C	
		TC	PI	KW	TC	PI	KW	TC	PI	KW	TC	PI	KW	TC	PI	TC	PI
1.5+1.5	22.0	4.80	0.98	5.01	1.01	5.21	1.03	5.31	1.04	5.63	1.07	5.84	1.09				
	25.0	4.67	1.02	4.88	1.05	5.09	1.07	5.19	1.08	5.50	1.11	5.70	1.13				
	32.0	4.38	1.13	4.59	1.15	4.79	1.17	4.90	1.18	5.21	1.21	5.42	1.23				
	35.0	4.25	1.17	4.46	1.19	4.67	1.22	4.77	1.22	5.08	1.26	5.29	1.28				
	40.0	4.04	1.25	4.25	1.28	4.46	1.30	4.56	1.31	4.87	1.34	5.08	1.36				
	43.0	3.91	1.31	4.13	1.33	4.33	1.35	4.44	1.36	4.75	1.39	4.96	1.42				
46.0	3.74	1.36	3.98	1.38	4.19	1.40	4.30	1.42	4.61	1.46	4.82	1.48					
1.5+2.0	22.0	4.80	0.98	5.01	1.01	5.21	1.03	5.31	1.04	5.63	1.07	5.84	1.09				
	25.0	4.67	1.02	4.88	1.05	5.09	1.07	5.19	1.08	5.50	1.11	5.70	1.13				
	32.0	4.38	1.13	4.59	1.15	4.79	1.17	4.90	1.18	5.21	1.21	5.42	1.23				
	35.0	4.25	1.17	4.46	1.19	4.67	1.22	4.77	1.22	5.08	1.26	5.29	1.28				
	40.0	4.04	1.25	4.25	1.28	4.46	1.30	4.56	1.31	4.87	1.34	5.08	1.36				
	43.0	3.91	1.31	4.13	1.33	4.33	1.35	4.44	1.36	4.75	1.39	4.96	1.41				
46.0	3.74	1.35	3.98	1.38	4.19	1.40	4.30	1.41	4.61	1.44	4.82	1.46					
1.5+2.5	22.0	5.31	1.18	5.54	1.21	5.77	1.24	5.88	1.25	6.23	1.29	6.46	1.32				
	25.0	5.17	1.23	5.40	1.26	5.63	1.28	5.74	1.30	6.09	1.34	6.31	1.36				
	32.0	4.84	1.35	5.07	1.38	5.30	1.41	5.42	1.42	5.76	1.46	5.99	1.48				
	35.0	4.70	1.41	4.93	1.44	5.16	1.46	5.28	1.47	5.62	1.51	5.85	1.54				
	40.0	4.47	1.51	4.70	1.53	4.93	1.56	5.05	1.57	5.39	1.61	5.62	1.63				
	43.0	4.33	1.57	4.57	1.59	4.80	1.62	4.91	1.63	5.26	1.67	5.49	1.70				
46.0	4.14	1.61	4.41	1.66	4.64	1.69	4.76	1.70	5.11	1.74	5.33	1.76					
1.5+3.5	22.0	5.42	1.20	5.65	1.23	5.88	1.25	6.00	1.27	6.36	1.31	6.59	1.33				
	25.0	5.27	1.25	5.51	1.28	5.74	1.30	5.86	1.32	6.21	1.36	6.44	1.38				
	32.0	4.94	1.37	5.18	1.40	5.41	1.43	5.53	1.44	5.88	1.48	6.12	1.51				
	35.0	4.80	1.43	5.03	1.46	5.27	1.48	5.39	1.49	5.74	1.53	5.97	1.56				
	40.0	4.56	1.53	4.80	1.56	5.03	1.58	5.15	1.59	5.50	1.63	5.74	1.66				
	43.0	4.42	1.59	4.60	1.63	4.82	1.63	4.93	1.63	5.24	1.63	5.45	1.63				
46.0	3.74	1.21	3.91	1.21	4.08	1.21	4.17	1.21	4.41	1.21	4.83	1.21					
1.5+4.2	22.0	5.90	1.39	6.15	1.42	6.40	1.45	6.53	1.47	6.92	1.52	7.17	1.55</				

4 Capacity tables

4 - 1 Cooling Capacity Tables

5MWXM68A9

Cooling · 50Hz 230V

①	②	Indoor air temperature [°C WB]																																																																																									
		14°C			16°C			18°C			19°C			22°C			24°C																																																																										
		TC	PI	TC	PI	TC	PI	TC	PI	TC	PI	TC	PI	TC	PI	TC	PI	TC	PI																																																																								
kW		kW		kW		kW		kW		kW		kW		kW		kW		kW																																																																									
2.0+2.0	22.0	5.15	1.15	5.37	1.18	5.59	1.20	5.70	1.21	6.04	1.25	6.26	1.28	25.0	5.01	1.20	5.24	1.22	5.46	1.25	5.67	1.26	5.90	1.30	6.12	1.32	32.0	4.70	1.32	4.92	1.34	5.14	1.37	5.25	1.38	5.59	1.41	5.81	1.44	35.0	4.56	1.37	4.78	1.40	5.01	1.42	5.12	1.43	5.45	1.47	5.68	1.50	40.0	4.33	1.47	4.56	1.49	4.78	1.52	4.89	1.53	5.23	1.56	5.45	1.59	43.0	4.20	1.53	4.43	1.55	4.65	1.58	4.76	1.59	5.10	1.63	5.33	1.65	46.0	4.02	1.57	4.27	1.61	4.50	1.64	4.61	1.65	4.95	1.69	5.17	1.71
	2.0+2.5	22.0	5.38	1.20	5.62	1.23	5.85	1.25	5.97	1.27	6.32	1.31	6.55	1.33	25.0	5.24	1.25	5.48	1.28	5.71	1.30	5.83	1.32	6.18	1.36	6.40	1.38	32.0	4.91	1.37	5.15	1.40	5.38	1.43	5.50	1.44	5.85	1.48	6.08	1.50	35.0	4.77	1.43	5.00	1.46	5.24	1.48	5.36	1.49	5.71	1.53	5.94	1.56	40.0	4.53	1.53	4.77	1.56	5.00	1.58	5.12	1.59	5.47	1.63	5.70	1.66	43.0	4.39	1.59	4.63	1.62	4.87	1.64	4.98	1.66	5.33	1.70	5.57	1.72												
		2.0+3.5	22.0	5.67	1.39	6.12	1.42	6.37	1.45	6.50	1.47	6.89	1.52	7.14	1.55	25.0	5.71	1.45	6.07	1.48	6.22	1.51	6.35	1.53	6.73	1.57	6.98	1.60	32.0	5.35	1.59	5.61	1.62	5.86	1.65	5.99	1.67	6.37	1.71	6.62	1.74	35.0	5.20	1.66	5.45	1.69	5.71	1.72	5.84	1.73	6.22	1.78	6.47	1.81	40.0	4.94	1.77	5.20	1.80	5.45	1.83	5.58	1.85	5.96	1.89	6.21	1.92	43.0	4.79	1.85	5.00	1.88	5.23	1.88	5.35	1.88	5.88	1.98	6.09	1.98											
			2.0+4.2	22.0	6.54	1.72	6.83	1.76	7.11	1.79	7.25	1.81	7.68	1.87	7.96	1.91	25.0	6.37	1.79	6.66	1.82	6.94	1.86	7.08	1.88	7.50	1.94	7.78	1.98	32.0	5.97	1.96	6.25	2.00	6.54	2.04	6.68	2.06	7.10	2.11	7.39	2.15	35.0	5.79	2.05	6.08	2.08	6.36	2.12	6.51	2.14	6.93	2.19	7.21	2.23	40.0	5.51	2.19	5.79	2.22	6.08	2.26	6.22	2.28	6.64	2.33	6.93	2.37																							
				2.0+5.0	22.0	6.69	1.94	7.29	1.98	7.59	2.02	7.74	2.04	8.20	2.11	8.50	2.15	25.0	6.80	2.02	7.11	2.06	7.41	2.10	7.56	2.13	8.01	2.19	8.31	2.23	32.0	6.37	2.22	6.68	2.26	6.98	2.30	7.13	2.32	7.58	2.38	7.89	2.43	35.0	6.19	2.31	6.49	2.35	6.79	2.40	6.95	2.41	7.40	2.48	7.70	2.52	40.0	5.88	2.47	6.19	2.51	6.49	2.55	6.62	2.58	7.04	2.58	7.31	2.58																						

①	②	Indoor air temperature [°C WB]																																																																			
		14°C			16°C			18°C			19°C			22°C			24°C																																																				
		TC	PI	TC	PI	TC	PI	TC	PI	TC	PI	TC	PI	TC	PI	TC	PI	TC	PI																																																		
kW		kW		kW		kW		kW		kW		kW		kW		kW		kW																																																			
2.5+3.5	22.0	6.14	1.51	6.41	1.55	6.67	1.58	6.80	1.59	7.21	1.65	7.47	1.68	25.0	5.98	1.57	6.25	1.61	6.51	1.64	6.64	1.66	7.04	1.71	7.30	1.74	32.0	5.60	1.73	5.87	1.76	6.13	1.80	6.27	1.81	6.67	1.86	6.93	1.89	35.0	5.44	1.80	5.71	1.83	5.97	1.87	6.11	1.88	6.51	1.93	6.77	1.97	40.0	5.17	1.93	5.44	1.96	5.71	1.99	5.84	2.01	6.24	2.06	6.50	2.09				
	2.5+4.2	22.0	6.98	2.01	7.29	2.04	7.59	2.09	7.74	2.10	8.19	2.15	8.50	2.19	25.0	6.80	2.09	7.10	2.11	7.41	2.15	7.56	2.17	8.01	2.23	8.30	2.27	32.0	6.37	2.26	6.68	2.30	6.98	2.34	7.13	2.36	7.58	2.43	7.88	2.47	35.0	6.19	2.35	6.49	2.39	6.79	2.44	6.95	2.45	7.40	2.52	7.70	2.56	40.0	5.88	2.51	6.18	2.56	6.49	2.60	6.64	2.62	7.09	2.68	7.39	2.72			
		2.5+5.0	22.0	7.41	2.24	7.74	2.29	8.05	2.34	8.21	2.37	8.70	2.44	9.02	2.49	25.0	7.22	2.33	7.54	2.38	7.86	2.43	8.02	2.46	8.50	2.53	8.81	2.58	32.0	6.76	2.57	7.09	2.62	7.41	2.66	7.57	2.69	8.05	2.76	8.37	2.81	35.0	6.57	2.67	6.89	2.72	7.21	2.77	7.37	2.79	7.86	2.87	8.17	2.92	40.0	6.24	2.86	6.57	2.91	6.89	2.95	7.03	2.97	7.47	2.97	7.75	2.97		
			2.5+6.0	22.0	7.71	2.28	8.04	2.33	8.37	2.38	8.54	2.40	9.04	2.48	9.37	2.53	25.0	7.50	2.37	7.84	2.42	8.17	2.47	8.34	2.50	8.84	2.57	9.16	2.62	32.0	7.03	2.61	7.37	2.66	7.70	2.71	7.86	2.73	8.36	2.80	8.70	2.86	35.0	6.82	2.72	7.16	2.76	7.49	2.82	7.66	2.84	8.16	2.91	8.49	2.96	40.0	6.48	2.90	6.82	2.95	7.16	3.00	7.33	3.02	7.76	3.02	8.04	3.04	
				3.5+3.5	22.0	6.90	1.97	7.48	2.15	7.79	2.19	7.94	2.21	8.41	2.29	8.72	2.33	25.0	6.90	2.13	7.29	2.23	7.60	2.28	7.76	2.30	8.22	2.37	8.52	2.42	32.0	6.54	2.40	6.85	2.45	7.16	2.49	7.32	2.52	7.78	2.58	8.09	2.63	35.0	6.35	2.50	6.66	2.55	6.97	2.59	7.13	2.61	7.59	2.68	7.90	2.73	40.0	6.03	2.67	6.35	2.72	6.66	2.77	6.79	2.78	7.22	2.78	7.50	2.78
					3.5+4.2	22.0	7.52	2.26	7.85	2.31	8.17	2.36	8.33	2.39	8.82	2.47	9.15	2.52	25.0	7.32	2.36	7.65	2.41	7.97	2.46	8.13	2.48	8.62	2.56	8.94	2.61	32.0	6.86	2.59	7.19	2.64	7.51	2.69	7.67	2.71	8.16	2.78	8.49	2.84	35.0	6.66	2.70	6.99	2.75	7.31	2.80	7.48	2.82	7.97	2.89	8.29	2.94	40.0	6.18	2.90	6.47	2.95	6.75	2.96	6.89	2.97	7.30	2.95	7.57

 Symbols
 TC: Total capacity [kW]
 PI: Power input [kW]
 Ⓞ Indoor unit combinations
 ⊗ Outdoor air temperature [°C DB]

4D155718
5MWXM68A9

Cooling 50Hz 230V

①	②	Indoor air temperature [°C WB]																																																																			
		14°C			16°C			18°C			19°C			22°C			24°C																																																				
		TC	PI	TC	PI	TC	PI	TC	PI	TC	PI	TC	PI	TC	PI	TC	PI	TC	PI																																																		
kW		kW		kW		kW		kW		kW		kW		kW		kW		kW																																																			
3.5+6.0	22.0	8.11	2.75	8.47	2.81	8.81	2.87	8.99	2.90	9.52	3.00	9.87	3.06	25.0	7.90	2.86	8.25	2.92	8.60	2.98	8.78	3.02	9.30	3.11	9.64	3.17	32.0	7.40	3.15	7.75	3.21	8.10	3.27	8.28	3.30	8.81	3.38	9.16	3.45	35.0	7.18	3.28	7.54	3.34	7.89	3.40	8.07	3.42	8.59	3.51	8.94	3.58	40.0	6.72	3.03	7.02	3.03	7.31	3.03	7.46	3.03	7.88	3.03	8.16	3.03				
	4.2+4.2	22.0	6.14	2.40	6.39	2.40	6.63	2.40	6.75	2.40	7.09	2.40	7.32	2.40	25.0	6.35	2.48	6.66	2.53	6.97	2.58	7.23	2.60	7.79	2.67	8.10	2.72	32.0	6.15	2.40	6.39	2.40	6.63	2.40	6.75	2.40	7.09	2.40	7.32	2.40	35.0	6.35	2.48	6.66	2.53	6.97	2.58	7.23	2.60	7.79	2.67	8.10	2.72	40.0	6.15	2.40	6.39	2.40	6.63	2.40	6.75	2.40	7.09	2.40	7.32	2.40			
		4.2+5.0	22.0	6.91	2.04	7.49	2.22	7.80	2.26	7.95	2.29	8.42	2.36	8.73	2.41	25.0	6.91	2.20	7.30	2.31	7.61	2.35	7.77	2.38	8.23	2.45	8.53	2.50	32.0	6.55	2.48	6.86	2.53	7.17	2.58	7.33	2.60	7.79	2.67	8.10	2.72	35.0	6.36	2.58	6.67	2.63	6.98	2.68	7.14	2.70	7.61	2.77	7.91	2.82	40.0	6.04	2.76	6.36	2.81	6.67	2.86	6.80	2.87	7.23	2.87	7.51	2.87		
			4.2+6.0	22.0	7.61	2.07	8.16	2.26	8.49	2.31	8.66	2.34	9.17	2.44	9.51	2.49	25.0	7.61	2.21	7.95	2.27	8.29	2.32	8.45	2.36	8.96	2.44	9.29	2.50	32.0	7.13	2.38	7.47	2.43	7.81	2.48	7.98	2.51	8.41	2.59	8.75	2.65	35.0	6.92	2.41	7.26	2.47	7.60	2.52	7.77	2.55	8.28	2.64	8.61	2.70	40.0	6.42	2.98	6.72	2.98	7.01	2.98	7.16	2.98	7.58	2.98	7.86	2.98	
				5.0+5.0	22.0	8.25	1.84	8.82	1.91	9.18	1.97	9.30	1.98	9.98	2.07	10.28	2.10	25.0	8.00	1.93	8.56	1.99	8.91	2.05	9.07	2.09	9.70	2.18	10.00	2.21	32.0	7.49	2.32	7.83	2.38	8.17	2.43	8.34	2.47	8.96	2.56	9.27	2.61	35.0	7.28	2.36	7.62	2.42	7.96	2.48	8.13	2.52	8.70	2.63	9.01	2.66	40.0	6.70	2.87	7.00	2.87	7.30	2.87	7.45	2.87	7.87	2.87	8.15	2.87
					5.0+6.0	22.0	8.45	2.16	8.84	2.21	9.18	2.27	9.30	2.28	9.98	2.37	10.28	2.40	25.0	8.23	2.26	8.60	2.32	8.96	2.38	9.13	2.42	9.69	2.51	10.05	2.57	32.0	7.71	3.25	8.08	3.31	8.44	3.38	8.63	3.41	9.18	3.50	9.54	3.56	35.0	7.49	3.29	7.86	3.35	8.22	3.41	8.41																	

4 Capacity tables

4 - 1 Cooling Capacity Tables

5MWXM68A9

Cooling - 50Hz 230V-

①	②	Indoor air temperature [°C WB]											
		14°C		16°C		18°C		19°C		22°C		24°C	
		TC	PI	TC	PI	TC	PI	TC	PI	TC	PI	TC	PI
1.5+2.0+2.5	22.0	6.50	1.42	6.78	1.45	7.06	1.48	7.20	1.50	7.62	1.55	7.91	1.58
	25.0	6.33	1.48	6.61	1.51	6.89	1.54	7.03	1.56	7.45	1.60	7.72	1.63
	32.0	5.93	1.62	6.21	1.65	6.49	1.68	6.63	1.70	7.05	1.74	7.34	1.78
	35.0	5.76	1.69	6.04	1.72	6.32	1.75	6.46	1.76	6.88	1.81	7.16	1.84
	40.0	4.66	1.81	5.75	1.84	6.04	1.87	6.18	1.88	6.60	1.93	6.88	1.96
1.5+2.0+3.5	22.0	4.49	1.88	5.59	1.91	5.87	1.94	6.01	1.96	6.44	2.01	6.72	2.03
	25.0	4.33	1.68	4.99	1.68	5.19	1.68	5.30	1.68	5.69	1.68	5.79	1.68
	32.0	4.20	1.78	4.71	1.82	4.92	1.86	5.08	1.88	5.51	1.94	5.87	1.98
	35.0	4.10	1.85	4.42	1.89	4.73	1.93	4.89	1.95	5.36	2.01	5.67	2.05
	40.0	3.65	2.04	4.97	2.08	5.28	2.12	5.44	2.13	5.92	2.19	6.23	2.23
1.5+2.0+4.2	22.0	7.51	2.11	7.83	2.15	8.15	2.20	8.32	2.22	8.81	2.29	9.13	2.34
	25.0	7.31	2.19	7.64	2.24	7.96	2.28	8.12	2.31	8.61	2.38	8.92	2.42
	32.0	6.85	2.41	7.18	2.46	7.50	2.50	7.66	2.52	8.15	2.59	8.47	2.64
	35.0	6.65	2.51	6.98	2.56	7.30	2.60	7.47	2.62	7.95	2.69	8.28	2.74
	40.0	6.32	2.68	6.65	2.73	6.97	2.77	7.14	2.80	7.62	2.86	7.95	2.91

①	②	Indoor air temperature [°C WB]											
		14°C		16°C		18°C		19°C		22°C		24°C	
		TC	PI	TC	PI	TC	PI	TC	PI	TC	PI	TC	PI
1.5+2.5+4.2	22.0	7.86	2.20	8.20	2.25	8.53	2.30	8.70	2.32	9.22	2.40	9.56	2.45
	25.0	7.65	2.29	7.99	2.34	8.33	2.39	8.50	2.41	9.01	2.48	9.34	2.53
	32.0	7.16	2.52	7.51	2.57	7.85	2.61	8.02	2.64	8.53	2.71	8.87	2.76
	35.0	6.96	2.62	7.30	2.67	7.64	2.72	7.81	2.74	8.32	2.81	8.66	2.86
	40.0	6.61	2.80	6.96	2.85	7.30	2.90	7.47	2.92	7.98	2.99	8.32	3.04
1.5+2.5+5.0	22.0	6.25	2.69	6.53	2.69	6.80	2.69	6.93	2.69	7.31	2.69	7.57	2.69
	25.0	5.96	2.10	5.57	2.10	5.78	2.10	5.88	2.10	6.19	2.10	6.38	2.10
	32.0	5.99	2.57	6.34	2.63	6.68	2.68	6.85	2.71	7.37	2.80	7.72	2.85
	35.0	5.78	2.67	6.13	2.73	6.47	2.79	6.64	2.82	7.16	2.90	7.50	2.96
	40.0	5.29	2.94	5.64	2.99	5.98	3.05	6.15	3.08	6.67	3.16	7.02	3.22
1.5+2.5+6.0	22.0	8.46	2.68	8.83	2.74	9.19	2.79	9.37	2.82	9.93	2.92	10.29	2.97
	25.0	8.24	2.79	8.61	2.85	8.97	2.90	9.15	2.94	9.70	3.02	10.06	3.08
	32.0	7.72	3.06	8.09	3.12	8.45	3.18	8.63	3.21	9.18	3.29	9.55	3.35
	35.0	7.49	3.19	7.86	3.25	8.23	3.31	8.42	3.33	8.96	3.42	9.33	3.48
	40.0	7.12	3.41	7.49	3.47	7.85	3.49	8.01	3.49	8.46	3.49	8.77	3.49

Symbols
 TC: Total capacity [kW]
 PI: Power input [kW]
 ⊕ Indoor unit combinations
 ⊙ Outdoor air temperature [°C DB]

4D155718

5MWXM68A9

Cooling - 50Hz 230V-

①	②	Indoor air temperature [°C WB]											
		14°C		16°C		18°C		19°C		22°C		24°C	
		TC	PI	TC	PI	TC	PI	TC	PI	TC	PI	TC	PI
1.5+2.0+4.2	22.0	8.31	2.67	8.67	2.73	9.02	2.78	9.20	2.81	9.75	2.91	10.11	2.96
	25.0	8.09	2.78	8.45	2.84	8.81	2.89	8.99	2.93	9.53	3.01	9.87	3.07
	32.0	7.58	3.05	7.94	3.11	8.30	3.17	8.48	3.20	9.02	3.28	9.38	3.34
	35.0	7.36	3.18	7.72	3.24	8.08	3.29	8.26	3.32	8.80	3.41	9.16	3.47
	40.0	6.92	3.27	7.24	3.27	7.56	3.27	7.71	3.27	8.17	3.27	8.46	3.27
1.5+2.0+5.0	22.0	6.23	2.65	6.49	2.65	6.75	2.65	6.88	2.65	7.25	2.65	7.49	2.65
	25.0	5.35	2.02	5.55	2.02	5.75	2.02	5.85	2.02	6.14	2.02	6.33	2.02
	32.0	6.57	2.74	6.95	2.80	7.31	2.86	7.50	2.89	8.06	2.99	8.43	3.04
	35.0	6.35	2.85	6.72	2.91	7.09	2.97	7.27	3.01	7.83	3.09	8.20	3.15
	40.0	5.82	3.13	6.20	3.19	6.56	3.25	6.75	3.28	7.31	3.37	7.68	3.43
2.0+2.0+2.0	22.0	8.57	2.74	8.95	2.80	9.31	2.86	9.50	2.89	10.06	2.99	10.43	3.04
	25.0	8.35	2.85	8.72	2.91	9.09	2.97	9.27	3.01	9.83	3.09	10.19	3.15
	32.0	7.82	3.13	8.20	3.19	8.56	3.25	8.75	3.28	9.31	3.37	9.68	3.43
	35.0	7.59	3.26	7.97	3.32	8.34	3.39	8.53	3.41	9.08	3.50	9.45	3.56
	40.0	6.96	3.54	7.32	3.60	7.69	3.67	7.88	3.70	8.43	3.79	8.80	3.87
2.0+2.0+3.5	22.0	6.25	2.65	6.51	2.65	6.77	2.65	6.90	2.65	7.27	2.65	7.51	2.65
	25.0	5.34	1.72	5.55	1.72	5.75	1.72	5.84	1.72	6.13	1.72	6.32	1.72
	32.0	6.40	1.42	6.77	1.45	7.05	1.48	7.19	1.49	7.61	1.54	7.89	1.58
	35.0	6.32	1.48	6.60	1.51	6.88	1.54	7.02	1.56	7.44	1.60	7.71	1.63
	40.0	5.92	1.62	6.20	1.65	6.48	1.68	6.62	1.70	7.04	1.74	7.32	1.78
2.0+2.0+4.2	22.0	7.54	2.67	7.91	2.73	8.27	2.78	8.45	2.81	8.96	2.89	9.32	2.94
	25.0	7.32	2.78	7.69	2.84	8.05	2.89	8.23	2.92	8.74	2.99	9.10	3.04
	32.0	6.80	3.06	7.17	3.12	7.53	3.17	7.71	3.20	8.22	3.28	8.58	3.33
	35.0	6.58	3.17	6.95	3.23	7.31	3.28	7.49	3.31	7.99	3.39	8.35	3.44
	40.0	6.15	3.40	6.52	3.46	6.88	3.51	7.06	3.54	7.56	3.62	7.92	3.67
2.0+2.0+5.0	22.0	6.23	2.65	6.49	2.65	6.75	2.65	6.88	2.65	7.25	2.65	7.49	2.65
	25.0	5.35	2.02	5.55	2.02	5.75	2.02	5.85	2.02	6.14	2.02	6.33	2.02
	32.0	6.57	2.74	6.95	2.80	7.31	2.86	7.50	2.89	8.06	2.99	8.43	3.04
	35.0	6.35	2.85	6.72	2.91	7.09	2.97	7.27	3.01	7.83	3.09	8.20	3.15
	40.0	5.82	3.13	6.20	3.19	6.56	3.25	6.75	3.28	7.31	3.37	7.68	3.43

Symbols
 TC: Total capacity [kW]
 PI: Power input [kW]
 ⊕ Indoor unit combinations
 ⊙ Outdoor air temperature [°C DB]

4D155718

4 Capacity tables

4-1 Cooling Capacity Tables

5MWXM68A9

Cooling 50Hz 230V

①	②	Indoor air temperature [°C WB]												①	②	Indoor air temperature [°C WB]																																																																																																																																																																																																																																																																																																																																																																																						
		14°C		16°C		18°C		19°C		22°C		24°C				14°C		16°C		18°C		19°C		22°C		24°C																																																																																																																																																																																																																																																																																																																																																																												
		TC	PI	TC	PI	TC	PI	TC	PI	TC	PI	TC	PI			TC	PI	TC	PI	TC	PI	TC	PI	TC	PI	TC	PI																																																																																																																																																																																																																																																																																																																																																																											
2.0+3.5+4.2	22.0	6.30	2.67	8.66	2.73	9.01	2.79	9.19	2.82	9.73	2.91	10.09	2.97	22.0	8.79	2.78	9.17	2.84	9.55	2.90	9.74	2.93	10.31	3.03	10.69	3.09	2.5+2.5+6.0	22.0	6.56	2.89	8.94	2.95	9.32	3.01	9.51	3.05	10.08	3.14	10.45	3.20	2.5+3.5+3.5	22.0	8.35	2.69	8.71	2.75	9.07	2.81	9.25	2.84	9.79	2.93	10.16	2.99	2.5+3.5+4.2	22.0	8.47	2.72	8.84	2.78	9.20	2.84	9.38	2.87	9.94	2.97	10.31	3.02	2.5+4.2+4.2	22.0	8.62	2.76	9.00	2.82	9.37	2.88	9.55	2.91	10.12	3.01	10.49	3.07	2.5+5.0+5.0	22.0	8.20	2.81	8.56	2.87	8.93	2.91	9.11	2.97	9.66	3.05	10.01	3.11	2.5+5.0+5.2	22.0	7.57	2.26	7.70	2.29	8.03	2.33	8.19	2.34	8.68	2.40	9.00	2.45	2.5+5.2+4.2	22.0	7.98	2.25	8.33	2.30	8.67	2.34	8.84	2.36	9.36	2.44	9.71	2.49	2.5+5.2+5.5	22.0	7.77	2.33	8.12	2.38	8.46	2.43	8.63	2.45	9.15	2.53	9.48	2.58	3.5+3.5+3.5	22.0	6.99	3.26	7.93	3.32	8.30	3.38	8.49	3.40	9.04	3.49	9.41	3.56	3.5+3.5+4.2	22.0	7.33	3.22	8.28	3.28	8.59	3.34	8.63	3.35	9.21	3.42	9.57	3.47	3.5+4.2+4.2	22.0	7.57	2.18	7.90	2.22	8.22	2.26	8.38	2.28	8.88	2.33	9.21	2.37	3.5+4.2+5.0	22.0	7.57	2.18	7.90	2.22	8.22	2.26	8.38	2.28	8.88	2.33	9.21	2.37	3.5+5.0+5.0	22.0	6.89	3.24	7.81	3.30	8.18	3.34	8.34	3.36	8.83	3.41	9.16	3.46	3.5+5.2+4.2	22.0	7.23	3.14	7.59	3.19	7.94	3.25	8.12	3.27	8.65	3.36	9.00	3.42	3.5+5.2+5.0	22.0	7.23	3.14	7.59	3.19	7.94	3.25	8.12	3.27	8.65	3.36	9.00	3.42	4.0+5.0+5.0	22.0	6.49	3.25	7.23	3.31	7.58	3.47	7.76	3.49	8.29	3.58	8.64	3.63	4.0+5.2+4.2	22.0	6.58	2.74	6.66	2.74	6.93	2.74	7.06	2.74	7.44	2.74	7.70	2.74	4.0+5.2+5.0	22.0	6.58	2.74	6.66	2.74	6.93	2.74	7.06	2.74	7.44	2.74	7.70	2.74	4.0+6.0+5.0	22.0	6.49	3.25	7.23	3.31	7.58	3.47	7.76	3.49	8.29	3.58	8.64	3.63	4.0+6.0+5.2	22.0	6.49	3.25	7.23	3.31	7.58	3.47	7.76	3.49	8.29	3.58	8.64	3.63	4.0+6.0+6.0	22.0	6.49	3.25	7.23	3.31	7.58	3.47	7.76	3.49	8.29	3.58	8.64	3.63	4.0+6.0+6.2	22.0	6.49	3.25	7.23	3.31	7.58	3.47	7.76	3.49	8.29	3.58	8.64	3.63	4.0+6.2+4.2	22.0	6.49	3.25	7.23	3.31	7.58	3.47	7.76	3.49	8.29	3.58	8.64	3.63	4.0+6.2+5.0	22.0	6.49	3.25	7.23	3.31	7.58	3.47	7.76	3.49	8.29	3.58	8.64	3.63	4.0+6.2+5.2	22.0	6.49	3.25	7.23	3.31	7.58	3.47	7.76	3.49	8.29	3.58	8.64	3.63	4.0+6.2+6.0	22.0	6.49	3.25	7.23	3.31	7.58	3.47	7.76	3.49	8.29	3.58	8.64	3.63

Symbols
TC: Total capacity [kW]
PI: Power input [kW]
⊙ Indoor unit combinations
⊙ Outdoor air temperature [°C DB]

4D155718

5MWXM68A9

Cooling 50Hz 230V

①	②	Indoor air temperature [°C WB]												①	②	Indoor air temperature [°C WB]																																																																																																																																																																																			
		14°C		16°C		18°C		19°C		22°C		24°C				14°C		16°C		18°C		19°C		22°C		24°C																																																																																																																																																																									
		TC	PI	TC	PI	TC	PI	TC	PI	TC	PI	TC	PI			TC	PI	TC	PI	TC	PI	TC	PI	TC	PI	TC	PI																																																																																																																																																																								
1.5+1.5+1.5+2.0	22.0	7.26	1.76	7.58	1.73	7.89	1.77	8.04	1.79	8.52	1.85	8.83	1.88	1.5+1.5+2.0+2.5	22.0	7.66	2.05	7.99	2.09	8.32	2.14	8.49	2.16	8.99	2.23	9.32	2.27	1.5+1.5+2.0+3.5	22.0	7.36	2.46	7.72	2.51	8.06	2.56	8.24	2.58	8.76	2.65	9.11	2.70	1.5+1.5+2.0+4.2	22.0	7.51	2.86	7.87	2.92	8.23	2.97	8.40	3.00	8.94	3.08	9.30	3.14	1.5+1.5+2.0+5.0	22.0	7.13	3.27	7.43	3.33	7.78	3.38	7.94	3.40	8.44	3.47	8.80	3.53	1.5+1.5+2.0+6.0	22.0	6.80	3.13	7.16	3.18	7.51	3.24	7.68	3.26	8.21	3.34	8.56	3.39	1.5+1.5+2.5+2.5	22.0	6.89	3.26	7.23	3.31	7.58	3.47	7.76	3.49	8.29	3.58	8.64	3.63	1.5+1.5+2.5+3.5	22.0	7.23	3.14	7.59	3.19	7.94	3.25	8.12	3.27	8.65	3.36	9.00	3.42	1.5+1.5+2.5+5.0	22.0	7.23	3.14	7.59	3.19	7.94	3.25	8.12	3.27	8.65	3.36	9.00	3.42	1.5+1.5+2.5+6.0	22.0	6.49	3.25	7.23	3.31	7.58	3.47	7.76	3.49	8.29	3.58	8.64	3.63	1.5+1.5+3.0+2.0	22.0	6.49	3.25	7.23	3.31	7.58	3.47	7.76	3.49	8.29	3.58	8.64	3.63	1.5+1.5+3.0+3.5	22.0	6.49	3.25	7.23	3.31	7.58	3.47	7.76	3.49	8.29	3.58	8.64	3.63	1.5+1.5+3.0+5.0	22.0	6.49	3.25	7.23	3.31	7.58	3.47	7.76	3.49	8.29	3.58	8.64	3.63	1.5+1.5+3.0+6.0	22.0	6.49	3.25	7.23	3.31	7.58	3.47	7.76	3.49	8.29	3.58	8.64	3.63

Symbols
TC: Total capacity [kW]
PI: Power input [kW]
⊙ Indoor unit combinations
⊙ Outdoor air temperature [°C DB]

4D155718

4 Capacity tables

4 - 1 Cooling Capacity Tables

5MWXM68A9

Cooling 50Hz 230V

①	②	Indoor air temperature [°C WB]																								
		14°C				16°C				18°C				19°C				22°C				24°C				
		TC	PI	TC	PI	TC	PI	TC	PI	TC	PI	TC	PI	TC	PI	TC	PI	TC	PI	TC	PI	TC	PI	TC	PI	
1.5+1.5+2.5+4.2	22.0	8.32	2.53	8.68	2.58	9.03	2.64	9.21	2.66	9.76	2.75	10.12	2.81	25.0	8.17	2.65	8.53	2.71	8.90	2.77	9.08	2.80	9.62	2.88	9.97	2.94
	25.0	8.10	2.63	8.46	2.69	8.82	2.74	9.00	2.77	9.54	2.85	9.89	2.91	30.0	7.65	2.92	8.02	2.97	8.38	3.03	8.56	3.06	9.11	3.14	9.47	3.20
	35.0	7.37	3.01	7.73	3.06	8.09	3.12	8.27	3.14	8.81	3.23	9.17	3.28	40.0	7.00	3.22	7.37	3.27	7.73	3.31	7.91	3.35	8.45	3.43	8.81	3.49
	40.0	6.31	2.83	6.60	2.83	6.88	2.83	7.02	2.83	7.43	2.83	7.69	2.83	46.0	5.30	2.10	5.52	2.10	5.74	2.10	5.85	2.10	6.17	2.10	6.37	2.10
	22.0	8.75	2.65	9.13	2.71	9.50	2.76	9.69	2.79	10.26	2.88	10.64	2.94	25.0	8.52	2.75	8.90	2.81	9.28	2.87	9.46	2.90	10.03	2.99	10.40	3.05
	32.0	7.98	3.03	8.36	3.09	8.74	3.14	8.93	3.17	9.50	3.25	9.88	3.32	35.0	7.75	3.15	8.13	3.21	8.51	3.27	8.70	3.29	9.27	3.38	9.64	3.44
	40.0	7.36	3.37	7.68	3.43	8.03	3.43	8.20	3.43	8.71	3.43	9.04	3.43	43.0	6.42	2.76	6.72	2.76	7.00	2.76	7.14	2.76	7.56	2.76	7.82	2.76
1.5+1.5+2.5+5.0	22.0	8.61	2.61	8.99	2.67	9.36	2.73	9.54	2.76	10.11	2.85	10.48	2.90	25.0	8.39	2.72	8.76	2.78	9.14	2.84	9.35	2.90	9.94	3.03	10.31	3.07
	32.0	7.86	2.99	8.23	3.05	8.60	3.10	8.79	3.13	9.35	3.21	9.72	3.28	35.0	7.63	3.11	8.01	3.17	8.38	3.23	8.57	3.25	9.13	3.34	9.50	3.40
	40.0	7.08	3.21	7.44	3.21	7.77	3.21	7.94	3.21	8.44	3.21	8.75	3.21	43.0	6.25	2.53	6.54	2.53	6.81	2.53	6.95	2.53	7.36	2.53	7.62	2.53
	46.0	5.24	1.84	5.46	1.84	5.68	1.84	5.78	1.84	6.09	1.84	6.29	1.84	22.0	8.47	2.74	8.85	2.80	9.22	2.86	9.4	2.89	9.97	2.97	10.34	3.03
	25.0	8.24	2.74	8.65	2.80	9.02	2.86	9.22	2.86	9.81	3.00	10.18	3.03	30.0	7.55	3.01	7.93	3.07	8.30	3.13	8.48	3.16	9.04	3.24	9.41	3.29
	35.0	7.70	3.14	8.08	3.20	8.46	3.25	8.65	3.28	9.21	3.36	9.59	3.42	40.0	7.18	3.24	7.53	3.24	7.86	3.24	8.03	3.24	8.52	3.24	8.83	3.24
	43.0	6.36	2.57	6.64	2.57	6.91	2.57	7.05	2.57	7.45	2.57	7.71	2.57	46.0	5.36	1.88	5.57	1.88	5.79	1.88	5.89	1.88	6.20	1.88	6.40	1.88
1.5+2.0+2.0+2.0	22.0	7.65	2.05	7.98	2.09	8.31	2.14	8.47	2.16	8.98	2.23	9.31	2.27	25.0	7.45	2.13	7.78	2.17	8.11	2.22	8.28	2.24	8.77	2.31	9.09	2.35
	32.0	6.98	2.34	7.31	2.38	7.64	2.43	7.81	2.45	8.31	2.52	8.64	2.56	35.0	6.78	2.44	7.11	2.48	7.44	2.53	7.61	2.54	8.11	2.61	8.43	2.66
	40.0	6.44	2.60	6.78	2.65	7.11	2.69	7.27	2.71	7.77	2.78	8.10	2.82	43.0	6.14	2.71	6.44	2.71	6.73	2.71	6.88	2.71	7.30	2.71	7.57	2.71
	46.0	5.10	2.01	5.33	2.01	5.56	2.01	5.67	2.01	6.00	2.01	6.21	2.01	22.0	7.82	2.09	8.17	2.14	8.50	2.18	8.67	2.20	9.18	2.28	9.52	2.32
	25.0	7.62	2.18	7.96	2.22	8.30	2.27	8.47	2.29	8.97	2.36	9.30	2.41	32.0	7.14	2.39	7.48	2.44	7.82	2.48	7.99	2.50	8.49	2.57	8.83	2.62
	35.0	6.93	2.49	7.27	2.54	7.61	2.58	7.78	2.60	8.29	2.67	8.63	2.72	40.0	6.59	2.66	6.93	2.71	7.27	2.75	7.44	2.77	7.95	2.84	8.28	2.89
	46.0	5.27	2.06	5.50	2.06	5.73	2.06	5.84	2.06	6.17	2.06	6.38	2.06	22.0	8.22	2.51	8.58	2.56	8.93	2.62	9.11	2.64	9.65	2.73	10.01	2.78
1.5+2.0+2.5+5.0	25.0	8.00	2.61	8.37	2.66	8.72	2.72	8.91	2.74	9.48	2.83	9.78	2.88	30.0	7.58	2.89	7.94	2.95	8.30	3.00	8.48	3.03	9.02	3.11	9.38	3.17
	35.0	7.26	3.01	7.62	3.07	7.97	3.13	8.15	3.15	8.70	3.24	9.05	3.29	40.0	6.89	3.22	7.26	3.28	7.62	3.33	7.80	3.35	8.44	3.44	8.79	3.49
	43.0	6.30	2.83	6.69	2.83	6.87	2.83	7.01	2.83	7.42	2.83	7.68	2.83	46.0	5.29	2.11	5.51	2.11	5.73	2.11	5.84	2.11	6.16	2.11	6.36	2.11
	22.0	8.47	2.57	8.84	2.63	9.20	2.69	9.38	2.71	9.94	2.80	10.31	2.86	25.0	8.25	2.68	8.62	2.73	8.98	2.79	9.16	2.82	9.71	2.90	10.07	2.96
	32.0	7.73	2.94	8.10	3.00	8.46	3.06	8.65	3.08	9.20	3.16	9.56	3.22	35.0	7.50	3.07	7.87	3.12	8.24	3.18	8.43	3.20	8.97	3.29	9.34	3.34
	40.0	7.13	3.28	7.50	3.33	7.87	3.39	8.05	3.41	8.60	3.50	8.97	3.55	43.0	6.47	2.89	6.76	2.89	7.04	2.89	7.18	2.89	7.59	2.89	7.85	2.89
	46.0	5.46	2.18	5.68	2.18	5.90	2.18	6.01	2.18	6.33	2.18	6.53	2.18	22.0	8.90	2.69	9.29	2.75	9.67	2.81	9.86	2.84	10.44	2.93	10.83	2.99
1.5+2.0+3.5+3.5	25.0	8.67	2.80	9.06	2.86	9.44	2.92	9.63	2.96	10.21	3.04	10.58	3.10	30.0	8.12	3.08	8.51	3.14	8.89	3.20	9.08	3.23	9.66	3.31	10.05	3.37
	35.0	7.88	3.21	8.27	3.27	8.66	3.33	8.85	3.35	9.43	3.44	9.81	3.50	40.0	7.49	3.43	7.83	3.48	8.18	3.48	8.35	3.48	8.86	3.48	9.19	3.48
	43.0	6.57	2.83	6.87	2.83	7.15	2.83	7.29	2.83	7.71	2.83	7.97	2.83	46.0	5.51	2.15	5.74	2.15	5.96	2.15	6.07	2.15	6.39	2.15	6.60	2.15
	22.0	8.69	2.64	9.07	2.70	9.44	2.75	9.62	2.78	10.19	2.87	10.57	2.93	25.0	8.34	2.64	8.76	2.70	9.15	2.76	9.36	2.80	9.95	2.89	10.34	2.95
	32.0	7.92	3.02	8.30	3.07	8.68	3.13	8.87	3.16	9.43	3.24	9.81	3.30	35.0	7.69	3.14	8.07	3.20	8.45	3.26	8.64	3.28	9.20	3.37	9.58	3.43
	40.0	7.17	3.24	7.52	3.24	7.85	3.24	8.02	3.24	8.51	3.24	8.82	3.24	43.0	6.35	2.57	6.63	2.57	6.90	2.57	7.04	2.57	7.44	2.57	7.70	2.57
	46.0	5.35	1.88	5.56	1.88	5.78	1.88	5.88	1.88	6.19	1.88	6.39	1.88													

Symbols
 TC: Total capacity [kW]
 PI: Power input [kW]
 Ⓢ Indoor unit combinations
 Ⓔ Outdoor air temperature [°C DB]

4D155718

5MWXM90A9

Cooling 50Hz 230V

①	②	Indoor air temperature [°C WB]																								
		14°C				16°C				18°C				19°C				22°C				24°C				
		TC	PI	TC	PI	TC	PI	TC	PI	TC	PI	TC	PI	TC	PI	TC	PI	TC	PI	TC	PI	TC	PI	TC	PI	
2.5+3.5+5.0	22.0	8.73	2.68	9.11	2.74	9.49	2.80	9.67	2.83	10.26	2.92	10.62	2.98	25.0	8.50	2.78	8.88	2.83	9.26	2.91	9.46	2.94	10.03	3.03	10.39	3.08
	32.0	7.96	3.07	8.34	3.12	8.72	3.18	8.91	3.21	9.48	3.30	9.85	3.36	35.0	7.73	3.19	8.11	3.25	8.49	3.31	8.68	3.33	9.25	3.42	9.62	3.48
	40.0	7.35	3.41	7.73	3.47	8.11	3.53	8.30	3.56	8.86	3.64	9.24	3.70	43.0	7.12	3.55	7.51	3.61	7.89	3.67	8.08	3.70	8.65	3.79	9.03	3.84
	46.0	6.78	3.21	7.13	3.21	7.48	3.21	7.64	3.21	8.13	3.21	8.46	3.21	22.0	8.74	2.68	9.12	2.74	9.49	2.80	9.68	2.82	10.26	2.92	10.63	2.98
	25.0	8.51	2.78	8.89	2.83	9.27	2.92	9.46	2.94	10.04	3.02	10.39	3.08	30.0	8.00	3.08	8.38	3.13	8.76	3.19	8.95	3.21	9.53	3.30	9.90	3.36
	32.0	7.97	3.06	8.35	3.12	8.72	3.18	8.92	3.21	9.49	3.29	9.87	3.36	35.0	7.74	3.19	8.12	3.25	8.50	3.31	8.69	3.33	9.26	3.42	9.64	3.48
	40.0	7.36	3.41	7.74	3.47	8.12	3.53	8.31	3.56	8.88	3.64	9.25	3.70	43.0	7.13	3.55	7.52	3.61	7.90	3.67	8.09	3.70	8.66	3.79	9.04	3.84
2.5+3.5+4.2	22.0	8.84	2.73	9.33	2.79	9.71	2.85	9.90	2.88	10.48	2.97	10.87	3.03	25.0	8.70	2.84	9.09	2.90	9.48	2.96	9.67	2.99	10.25	3.08	10.62	3.14
	32.0	8.15	3.12	8.54	3.18	8.93	3.24	9.12	3.27	9.70	3.35	10.09	3.42	35.0	7.91	3.25	8.30	3.31	8.69	3.37	8.89	3.39	9.47	3.48	9.85	3.54
	40.0	7.52	3.47	7.91	3.53	8.30	3.59	8.49	3.62	9.07	3.71	9.46	3.77	43.0	7.29	3.61	7.68	3.67	8.07	3.74	8.27	3.76	8.85	3.86	9.24	3.91
	46.0	6.94	3.24	7.29	3.24	7.63	3.24	7.80	3.24	8.29	3.24	8.63	3.24	22.0	9.56	2.92										

4 Capacity tables

4 - 1 Cooling Capacity Tables

5MWXM90A9

Cooling 50Hz 230V

①	②	Indoor air temperature [°C WB]																	
		14°C			16°C			18°C			22°C			24°C					
		TC	PI	TC	PI	TC	PI	TC	PI	TC	PI	TC	PI	TC	PI				
3.5x3.5+3.5	22.0	9.68	2.72	9.26	2.76	9.54	2.84	9.83	2.97	10.21	2.98	10.80	3.02						
	25.0	8.64	2.53	8.03	2.89	9.41	2.95	9.60	2.98	10.18	3.07	10.55	3.13						
	32.0	8.10	3.11	8.49	3.17	8.87	3.23	9.06	3.28	9.64	3.34	10.02	3.40						
	35.0	7.86	3.24	8.25	3.30	8.63	3.36	8.83	3.38	9.40	3.47	9.79	3.53						
	40.0	7.47	3.46	7.86	3.52	8.25	3.58	8.44	3.61	9.01	3.69	9.40	3.75						
	43.0	7.24	3.60	7.63	3.66	8.02	3.72	8.21	3.75	8.47	3.78	8.55	3.78						
	46.0	6.92	3.11	7.26	3.11	7.60	3.11	7.76	3.11	8.25	3.11	8.53	3.11						
	22.0	9.05	2.80	8.44	2.86	9.83	2.92	10.02	2.95	10.62	3.05	11.01	3.11						
	25.0	8.61	2.91	8.20	2.97	9.60	3.04	9.79	3.07	10.38	3.16	10.76	3.22						
	32.0	8.25	3.20	8.65	3.26	9.04	3.32	9.24	3.35	9.82	3.44	10.22	3.51						

①	②	Indoor air temperature [°C WB]																	
		14°C			16°C			18°C			22°C			24°C					
		TC	PI	TC	PI	TC	PI	TC	PI	TC	PI	TC	PI	TC	PI				
3.5x4.2+6.0	22.0	9.63	2.92	10.04	2.99	10.45	3.05	10.86	3.08	11.29	3.16	11.71	3.24						
	25.0	9.37	3.04	9.79	3.10	10.20	3.17	10.41	3.20	11.03	3.30	11.44	3.36						
	32.0	8.78	3.34	9.20	3.40	9.61	3.47	9.82	3.50	10.45	3.59	10.86	3.66						
	35.0	8.52	3.48	8.94	3.54	9.36	3.61	9.57	3.63	10.19	3.73	10.61	3.80						
	40.0	8.10	3.72	8.52	3.78	8.94	3.84	9.15	3.88	9.77	3.97	10.19	4.03						
	43.0	7.85	3.87	8.27	3.93	8.70	3.97	8.91	3.97	9.49	3.97	9.88	3.97						
	46.0	7.59	3.28	7.94	3.28	8.28	3.28	8.44	3.28	8.95	3.28	9.27	3.28						
	22.0	10.01	3.07	10.45	3.12	10.88	3.18	11.09	3.21	11.75	3.31	12.18	3.37						
	25.0	9.75	3.18	10.19	3.23	10.63	3.29	10.83	3.33	11.48	3.43	11.90	3.50						
	32.0	9.13	3.47	9.57	3.54	10.00	3.61	10.22	3.64	10.87	3.73	11.31	3.80						

Symbols
TC: Total capacity [kW]
PI: Power input [kW]
⊙ Indoor unit combinations
⊙ Outdoor air temperature [°C DB]

4

4D155723

5MWXM90A9

Cooling 50Hz 230V

①	②	Indoor air temperature [°C WB]																	
		14°C			16°C			18°C			22°C			24°C					
		TC	PI	TC	PI	TC	PI	TC	PI	TC	PI	TC	PI	TC	PI				
4.2x4.2+5.0	22.0	9.41	2.89	9.82	2.95	10.22	3.01	10.42	3.04	11.04	3.14	11.44	3.21						
	25.0	9.16	3.00	9.57	3.07	9.97	3.13	10.18	3.17	10.79	3.26	11.18	3.32						
	32.0	8.58	3.30	8.99	3.36	9.39	3.43	9.60	3.46	10.21	3.55	10.62	3.62						
	35.0	8.33	3.44	8.74	3.50	9.15	3.56	9.35	3.59	9.96	3.69	10.37	3.75						
	40.0	7.82	3.67	8.33	3.74	8.74	3.80	8.94	3.83	9.55	3.92	9.96	3.98						
	43.0	7.67	3.83	8.00	3.89	8.49	3.93	8.69	3.93	9.27	3.93	9.67	3.93						
	46.0	7.36	3.23	7.72	3.23	8.06	3.23	8.22	3.23	8.73	3.23	9.05	3.23						
	22.0	9.63	2.92	10.05	2.98	10.46	3.05	10.67	3.08	11.30	3.18	11.72	3.24						
	25.0	9.38	3.04	9.80	3.10	10.22	3.17	10.42	3.20	11.05	3.29	11.45	3.36						
	32.0	8.79	3.34	9.21	3.40	9.62	3.47	9.83	3.50	10.46	3.59	10.88	3.66						

①	②	Indoor air temperature [°C WB]																	
		14°C			16°C			18°C			22°C			24°C					
		TC	PI	TC	PI	TC	PI	TC	PI	TC	PI	TC	PI	TC	PI				
1.5x1.5+1.5x2.0	22.0	7.34	1.61	7.66	1.65	7.97	1.70	8.13	1.73	8.61	1.79	8.94	1.83						
	25.0	7.15	1.70	7.47	1.74	7.78	1.79	7.94	1.81	8.42	1.86	8.72	1.90						
	32.0	6.69	1.88	7.02	1.92	7.33	1.96	7.49	1.97	7.97	2.02	8.29	2.06						
	35.0	6.50	1.96	6.82	2.00	7.14	2.03	7.30	2.05	7.78	2.10	8.09	2.14						
	40.0	6.15	2.10	6.58	2.13	6.93	2.17	7.08	2.18	7.45	2.26	7.77	2.31						
	43.0	5.90	2.18	6.28	2.24	6.63	2.29	6.79	2.31	7.27	2.37	7.59	2.42						
	46.0	5.67	2.31	6.04	2.35	6.41	2.40	6.58	2.42	7.06	2.49	7.38	2.54						
	22.0	7.54	1.69	7.87	1.73	8.19	1.78	8.35	1.78	8.85	1.84	9.17	1.88						
	25.0	7.34	1.76	7.67	1.80	8.00	1.83	8.16	1.83	8.65	1.91	8.96	1.95						
	32.0	6.88	1.93	7.21	1.97	7.53	2.01	7.70	2.03	8.19	2.08	8.51	2.12						

Symbols
TC: Total capacity [kW]
PI: Power input [kW]
⊙ Indoor unit combinations
⊙ Outdoor air temperature [°C DB]

4D155723

4 Capacity tables

4 - 1 Cooling Capacity Tables

5MWXM90A9

Cooling 50Hz 230V

①	②	Indoor air temperature [°C WB]																																				
		14°C				16°C				18°C				22°C				24°C																				
		TC	PI	TC	PI	TC	PI	TC	PI	TC	PI	TC	PI	TC	PI	TC	PI	TC	PI	TC	PI																	
22.0	7.54	1.89	7.87	1.73	8.19	1.77	8.35	1.78	8.85	1.84	9.17	1.88	25.0	7.26	1.76	7.87	1.80	8.00	1.84	8.16	1.86	8.65	1.91	8.96	1.95	32.0	6.88	1.94	7.21	1.97	7.53	2.01	7.70	2.03	8.10	2.08	8.51	2.12

Symbols
 TC: Total capacity [kW]
 PI: Power input [kW]
 ⊙ Indoor unit combinations
 ⊙ Outdoor air temperature [°C DB]

4D155723

5MWXM90A9

Cooling 50Hz 230V

①	②	Indoor air temperature [°C WB]																																				
		14°C				16°C				18°C				22°C				24°C																				
		TC	PI	TC	PI	TC	PI	TC	PI	TC	PI	TC	PI	TC	PI	TC	PI	TC	PI	TC	PI																	
22.0	9.44	2.75	8.85	2.81	10.25	2.87	10.46	2.90	11.08	3.00	11.48	3.06	25.0	9.19	2.87	9.60	2.93	10.01	2.99	10.21	3.02	10.83	3.11	11.22	3.17	32.0	8.61	3.15	9.02	3.21	9.43	3.27	9.63	3.30	10.25	3.38	10.66	3.45

Symbols
 TC: Total capacity [kW]
 PI: Power input [kW]
 ⊙ Indoor unit combinations
 ⊙ Outdoor air temperature [°C DB]

4D155723

4 Capacity tables

4 - 1 Cooling Capacity Tables

5MWXM90A9

Cooling 50Hz 230V

①	②	Indoor air temperature [°C (WB)]														
		14°C			16°C			18°C			22°C			24°C		
		TC	PI	TI	TC	PI	TI	TC	PI	TI	TC	PI	TI	TC	PI	TI
1.5+2.0+2.5+3.5	22.0	8.82	2.58	8.21	2.64	8.56	2.78	8.77	2.73	10.35	2.82	10.73	2.87			
	25.0	8.59	2.69	8.08	2.75	8.36	2.80	8.55	2.84	10.12	2.92	10.49	2.96			
	32.0	8.05	2.96	8.43	3.01	8.81	3.07	9.01	3.10	9.58	3.18	9.96	3.24			
	35.0	7.81	3.08	8.20	3.14	8.58	3.19	8.78	3.21	9.35	3.30	9.73	3.36			
	40.0	7.43	3.29	7.81	3.35	8.20	3.40	8.39	3.43	8.96	3.51	9.34	3.57			

①	②	Indoor air temperature [°C (WB)]														
		14°C			16°C			18°C			22°C			24°C		
		TC	PI	TI	TC	PI	TI	TC	PI	TI	TC	PI	TI	TC	PI	TI
1.5+2.0+2.5+5.0	22.0	9.41	2.76	9.82	2.81	10.22	2.87	10.42	2.90	11.04	2.98	11.44	3.05			
	25.0	9.16	2.86	9.57	2.92	9.97	2.98	10.18	3.02	10.79	3.10	11.18	3.16			
	32.0	8.58	3.14	8.99	3.20	9.40	3.26	9.60	3.29	10.21	3.38	10.62	3.44			
	35.0	8.33	3.27	8.74	3.33	9.15	3.40	9.36	3.42	9.97	3.51	10.37	3.57			
	40.0	7.92	3.50	8.33	3.56	8.74	3.62	8.94	3.65	9.55	3.74	9.96	3.80			

Symbols
 TC: Total capacity [kW]
 PI: Power input [kW]
 TI: Indoor unit combinations
 ⊕: Outdoor air temperature [°C (DB)]

4D155723
5MWXM90A9

Cooling 50Hz 230V

①	②	Indoor air temperature [°C (WB)]														
		14°C			16°C			18°C			22°C			24°C		
		TC	PI	TI	TC	PI	TI	TC	PI	TI	TC	PI	TI	TC	PI	TI
1.5+2.0+3.5+5.0+6.0	22.0	10.24	2.99	10.69	3.05	11.12	3.12	11.34	3.15	12.01	3.26	12.46	3.32			
	25.0	9.97	3.11	10.42	3.18	10.86	3.24	11.08	3.28	11.74	3.37	12.17	3.44			
	32.0	9.34	3.42	9.79	3.48	10.23	3.55	10.45	3.58	11.12	3.67	11.56	3.74			
	35.0	9.07	3.56	9.52	3.62	9.96	3.69	10.18	3.72	10.85	3.82	11.29	3.88			
	40.0	8.62	3.89	9.07	3.87	9.51	3.93	9.73	3.97	10.40	4.06	10.84	4.13			

①	②	Indoor air temperature [°C (WB)]														
		14°C			16°C			18°C			22°C			24°C		
		TC	PI	TI	TC	PI	TI	TC	PI	TI	TC	PI	TI	TC	PI	TI
1.5+2.0+5.0+6.0+7.1	22.0	10.47	3.05	10.93	3.11	11.37	3.18	11.60	3.21	12.29	3.32	12.74	3.38			
	25.0	10.20	3.17	10.65	3.24	11.10	3.30	11.33	3.34	12.01	3.44	12.45	3.51			
	32.0	9.58	3.48	10.01	3.55	10.46	3.62	10.69	3.65	11.37	3.74	11.82	3.81			
	35.0	9.27	3.63	9.73	3.69	10.18	3.76	10.42	3.79	11.09	3.89	11.54	3.96			
	40.0	8.81	3.96	9.27	3.95	9.73	4.01	9.95	4.04	10.63	4.14	11.09	4.20			

Symbols
 TC: Total capacity [kW]
 PI: Power input [kW]
 TI: Indoor unit combinations
 ⊕: Outdoor air temperature [°C (DB)]

4D155723

4 Capacity tables

4 - 1 Cooling Capacity Tables

5MWXM90A9

Cooling 50Hz 230V

①	②	Indoor air temperature [°C/WB]														
		14°C			16°C			18°C			22°C			24°C		
		TC	PI	TC	PI	TC	PI	TC	PI	TC	PI	TC	PI			
1.5+2.5+2.5+0.0	22.0	9.95	3.11	10.40	3.17	10.84	3.24	11.05	3.27	11.72	3.37	12.15	3.44			
	25.0	9.32	3.41	9.77	3.48	10.21	3.54	10.43	3.58	11.09	3.67	11.54	3.74			
	30.0	8.05	3.56	9.50	3.62	9.94	3.69	10.16	3.71	10.83	3.81	11.27	3.88			
	35.0	6.60	3.80	9.05	3.87	9.49	3.93	9.71	3.96	10.38	4.06	10.82	4.12			
	43.0	8.34	3.96	8.79	4.02	9.23	4.09	9.46	4.12	10.09	4.13	10.49	4.13			

①	②	Indoor air temperature [°C/WB]														
		14°C			16°C			18°C			22°C			24°C		
		TC	PI	TC	PI	TC	PI	TC	PI	TC	PI	TC	PI			
1.5+2.5+4.2+0.0	22.0	9.95	3.11	10.40	3.17	10.84	3.24	11.05	3.27	11.72	3.37	12.15	3.44			
	25.0	9.32	3.42	9.77	3.48	10.21	3.54	10.43	3.58	11.11	3.67	11.55	3.74			
	30.0	8.05	3.56	9.50	3.62	9.94	3.69	10.16	3.71	10.83	3.81	11.27	3.88			
	35.0	6.60	3.80	9.05	3.87	9.49	3.93	9.71	3.96	10.38	4.06	10.82	4.12			
	43.0	8.34	3.96	8.79	4.02	9.23	4.09	9.46	4.12	10.09	4.13	10.49	4.13			

Symbols
 TC: Total capacity [kW]
 PI: Power input [kW]
 ⊕: Indoor unit combinations
 ⊗: Outdoor air temperature [°C DB]

4D155723

5MWXM90A9

Cooling 50Hz 230V

①	②	Indoor air temperature [°C/WB]														
		14°C			16°C			18°C			22°C			24°C		
		TC	PI	TC	PI	TC	PI	TC	PI	TC	PI	TC	PI			
1.5+3.5+3.5+4.2	22.0	9.95	3.11	10.40	3.17	10.84	3.24	11.05	3.27	11.72	3.37	12.15	3.44			
	25.0	9.34	3.24	9.74	3.30	10.17	3.36	10.38	3.40	11.00	3.49	11.40	3.56			
	30.0	8.05	3.56	9.50	3.62	9.94	3.69	10.16	3.71	10.83	3.81	11.27	3.88			
	35.0	6.60	3.80	9.05	3.87	9.49	3.93	9.71	3.96	10.38	4.06	10.82	4.12			
	43.0	8.34	3.96	8.79	4.02	9.23	4.09	9.46	4.12	10.09	4.13	10.49	4.13			

①	②	Indoor air temperature [°C/WB]														
		14°C			16°C			18°C			22°C			24°C		
		TC	PI	TC	PI	TC	PI	TC	PI	TC	PI	TC	PI			
1.5+3.5+5.0+0.0	22.0	10.59	3.18	11.05	3.25	11.50	3.32	11.73	3.35	12.42	3.46	12.88	3.53			
	25.0	10.31	3.31	10.77	3.37	11.23	3.44	11.46	3.48	12.14	3.59	12.59	3.65			
	30.0	8.96	3.63	10.12	3.70	10.58	3.78	10.81	3.81	11.50	3.91	11.95	3.94			
	35.0	7.36	3.85	9.83	3.85	10.30	3.85	10.53	3.85	11.22	3.85	11.66	3.85			
	43.0	8.97	3.97	9.35	3.97	9.83	3.97	10.06	3.97	10.79	3.97	11.15	3.97			

Symbols
 TC: Total capacity [kW]
 PI: Power input [kW]
 ⊕: Indoor unit combinations
 ⊗: Outdoor air temperature [°C DB]

4D155723

4 Capacity tables

4 - 1 Cooling Capacity Tables

5MWXM90A9

Cooling 50Hz 230V

①	②	Indoor air temperature [°CWB]																								
		14°C			16°C			18°C			19°C			22°C			24°C									
		TC	PI	TC	PI	TC	PI	TC	PI	TC	PI	TC	PI	TC	PI	TC	PI	TC	PI							
2.0+2.0+2.0+5.0	22.0	9.64	2.81	10.07	2.98	10.46	2.84	10.68	2.97	11.32	3.06	11.73	3.15	25.0	9.94	3.11	10.38	3.17	10.82	3.24	11.04	3.27	11.71	3.37	12.13	3.44
	25.0	9.39	2.93	9.81	2.99	10.23	3.05	10.43	3.09	11.06	3.18	11.46	3.24	32.0	8.80	3.22	9.22	3.28	9.63	3.34	9.84	3.37	10.47	3.46	10.89	3.52
	35.0	8.54	3.35	8.96	3.41	9.38	3.48	9.59	3.50	10.22	3.59	10.63	3.66	40.0	8.12	3.58	8.54	3.65	8.96	3.70	9.17	3.73	9.79	3.82	10.21	3.88
	40.0	8.12	3.58	8.54	3.65	8.96	3.70	9.17	3.73	9.79	3.82	10.21	3.88	43.0	7.87	3.73	8.29	3.79	8.71	3.85	8.92	3.88	9.52	3.92	9.93	3.92
	46.0	7.43	3.23	7.79	3.23	8.16	3.23	8.33	3.23	8.85	3.23	8.85	3.23	46.0	7.43	3.23	7.79	3.23	8.16	3.23	8.33	3.23	8.85	3.23	8.85	3.23
	2.0+2.0+2.0+6.0	22.0	10.09	2.95	10.54	3.02	10.97	3.08	11.18	3.11	11.84	3.22	12.28	3.28	25.0	9.63	3.07	10.27	3.14	10.70	3.20	10.92	3.24	11.58	3.33	12.00
32.0	9.21	3.38	9.65	3.44	10.08	3.51	10.30	3.54	10.96	3.63	11.40	3.70	35.0	8.94	3.52	9.38	3.58	9.82	3.65	10.04	3.67	10.70	3.77	11.13	3.84	
40.0	8.50	3.76	8.94	3.83	9.38	3.89	9.60	3.92	10.25	4.01	10.69	4.08	43.0	8.24	3.91	8.68	3.98	9.12	4.05	9.34	4.08	9.97	4.10	10.37	4.10	
46.0	7.89	3.40	8.26	3.40	8.62	3.40	8.79	3.40	9.31	3.40	9.64	3.40	22.0	10.31	3.02	10.76	3.08	11.20	3.15	11.42	3.18	12.10	3.29	12.54	3.35	
2.0+2.0+2.0+7.1	25.0	10.04	3.14	10.49	3.21	10.93	3.27	11.15	3.31	11.82	3.40	12.26	3.47	32.0	9.40	3.45	9.86	3.51	10.30	3.58	10.52	3.61	11.19	3.71	11.64	3.78
35.0	9.13	3.59	9.58	3.66	10.03	3.72	10.26	3.75	10.92	3.85	11.37	3.92	40.0	8.68	3.84	9.13	3.91	9.58	3.97	9.80	4.00	10.47	4.10	10.92	4.16	
43.0	8.41	4.00	8.87	4.06	9.32	4.13	9.54	4.16	10.18	4.18	10.59	4.18	46.0	8.10	3.48	8.46	3.48	8.82	3.48	8.99	3.48	9.52	3.48	9.85	3.48	
2.0+2.0+2.5+2.5	22.0	8.80	2.60	9.19	2.64	9.56	2.69	9.75	2.72	10.33	2.81	10.71	2.87	25.0	8.57	2.69	8.95	2.74	9.33	2.80	9.52	2.83	10.09	2.91	10.46	2.97
32.0	8.03	2.95	8.41	3.01	8.79	3.07	8.98	3.09	9.56	3.17	9.94	3.23	35.0	7.80	3.08	8.16	3.13	8.56	3.19	8.75	3.21	9.33	3.30	9.70	3.36	
40.0	7.41	3.29	7.79	3.34	8.18	3.40	8.37	3.43	8.94	3.51	9.32	3.56	43.0	7.18	3.42	7.57	3.48	7.96	3.51	8.15	3.56	8.72	3.65	9.11	3.70	
46.0	6.87	3.51	7.31	3.62	7.69	3.68	7.89	3.70	8.47	3.79	8.85	3.84	22.0	9.29	2.72	9.69	2.78	10.09	2.84	10.29	2.87	10.90	2.96	11.30	3.02	
2.0+2.0+3.5+3.5	25.0	9.04	2.83	9.45	2.89	9.85	2.95	10.05	2.98	10.65	3.07	11.04	3.13	32.0	8.03	3.11	8.49	3.17	8.98	3.23	9.49	3.26	10.08	3.34	10.59	3.41
35.0	8.23	3.24	8.63	3.30	9.03	3.36	9.24	3.38	9.84	3.47	10.24	3.53	40.0	7.62	3.46	8.23	3.52	8.63	3.58	8.83	3.61	9.43	3.70	9.83	3.75	
43.0	7.58	3.60	7.99	3.66	8.39	3.72	8.60	3.75	9.20	3.84	9.61	3.90	46.0	7.29	3.63	7.66	3.63	8.03	3.63	8.22	3.63	8.75	3.63	9.10	3.63	
2.0+2.0+3.5+6.0	22.0	9.41	2.76	9.82	2.81	10.22	2.87	10.42	2.90	11.04	2.99	11.44	3.05	25.0	9.16	2.86	9.57	2.92	9.97	2.98	10.18	3.02	10.79	3.10	11.18	3.16
32.0	8.58	3.14	8.99	3.20	9.40	3.26	9.60	3.29	10.21	3.38	10.62	3.44	35.0	8.33	3.27	8.74	3.33	9.15	3.40	9.36	3.42	9.97	3.51	10.37	3.57	
40.0	7.92	3.50	8.33	3.56	8.74	3.62	8.94	3.65	9.55	3.74	9.96	3.80	43.0	7.67	3.64	8.09	3.70	8.50	3.77	8.70	3.79	9.32	3.89	9.73	3.94	
46.0	7.41	3.67	7.78	3.67	8.15	3.67	8.33	3.67	8.86	3.67	9.21	3.67	22.0	9.76	2.86	10.19	2.94	10.61	3.01	10.82	3.04	11.46	3.14	11.88	3.20	
2.0+2.0+5.0+5.0	25.0	9.51	3.00	9.93	3.06	10.35	3.12	10.56	3.16	11.20	3.25	11.61	3.32	32.0	8.91	3.29	9.33	3.36	9.75	3.42	9.97	3.45	10.60	3.54	11.02	3.61
35.0	8.65	3.43	9.07	3.49	9.50	3.56	9.71	3.58	10.34	3.68	10.76	3.74	40.0	8.22	3.67	8.65	3.73	9.07	3.79	9.28	3.82	9.91	3.92	10.34	3.98	
43.0	7.97	3.82	8.40	3.88	8.82	3.95	9.04	3.97	9.64	4.00	10.04	4.00	46.0	7.56	3.32	7.93	3.32	8.29	3.32	8.46	3.32	8.98	3.32	9.31	3.32	

Symbols
 TC: Total capacity [kW]
 PI: Power input [kW]
 ① Indoor unit combinations
 ② Outdoor air temperature [°C DB]

4D155723

5MWXM90A9

Notes

- The capacities are based on the following conditions:
Corresponding refrigerant piping length: 5 m Level difference: 0m
- The bold cells indicate the standard conditions.
- The values above are for connecting with the following indoor unit types:

1.5, 2.0, 2.5, 3.5, 4.2, 5.0, 6.0, 7.1 kW class
Wall-mounted CTXA-AW, CTXA-BB, CTXA-BS, CTXA-BT, CTXA-CW, CTXA-CB, CTXA-CS, CTXM-R, CTXM-A, FTXA-AW, FTXA-BB, FTXA-BS, FTXA-BT, FTXA-CW, FTXA-CB, FTXA-CS, FTXM-R, FTXM-A, FTXJ-AB, FTXJ-AS, FTXJ-AW, FTXJ-AB9, FTXJ-AS9, FTXJ-AW9 series

4D155723

4 Capacity tables

4 - 1 Cooling Capacity Tables

5MWXM90A9

Cooling 50Hz 230V

①	②	Indoor air temperature [°C WB]														
		14°C			16°C			18°C			22°C			24°C		
		TC	PI	TC	PI	TC	PI	TC	PI	TC	PI	TC	PI			
2.0+2.0+4.2+4.2	22.0	9.66	2.85	10.80	2.94	10.50	2.87	10.24	3.06	11.34	3.10	11.78	3.27	12.45		
	25.0	9.41	2.96	9.83	3.03	10.25	3.09	10.46	3.13	11.08	3.22	11.49	3.26			
	32.0	8.81	3.26	9.24	3.32	9.65	3.38	9.86	3.41	10.49	3.50	10.91	3.57			
	35.0	8.56	3.39	8.98	3.46	9.40	3.52	9.61	3.54	10.24	3.64	10.65	3.70			
	40.0	8.13	3.63	8.56	3.69	8.98	3.75	9.19	3.78	9.81	3.87	10.23	3.93			

①	②	Indoor air temperature [°C WB]														
		14°C			16°C			18°C			22°C			24°C		
		TC	PI	TC	PI	TC	PI	TC	PI	TC	PI	TC	PI			
2.0+2.5+3.5+3.5	22.0	9.66	2.85	10.80	2.94	10.50	2.87	10.24	3.06	11.34	3.10	11.78	3.27	12.45		
	25.0	9.16	2.86	9.57	2.92	9.98	2.98	10.18	3.02	10.79	3.11	11.19	3.17			
	32.0	8.58	3.15	8.99	3.21	9.40	3.27	9.60	3.30	10.21	3.38	10.62	3.45			
	35.0	8.33	3.28	8.74	3.34	9.15	3.40	9.36	3.42	9.97	3.51	10.37	3.58			
	40.0	7.92	3.50	8.33	3.56	8.74	3.62	8.94	3.65	9.55	3.74	9.96	3.80			

Symbols
 TC: Total capacity [kW]
 PI: Power input [kW]
 ⊕ Indoor unit combinations
 ⊗ Indoor air temperature [°C DB]

4D155723

5MWXM90A9

Cooling 50Hz 230V

①	②	Indoor air temperature [°C WB]														
		14°C			16°C			18°C			22°C			24°C		
		TC	PI	TC	PI	TC	PI	TC	PI	TC	PI	TC	PI			
2.0+2.5+3.5+3.5	22.0	9.80	2.88	10.23	2.95	10.65	3.01	10.86	3.04	11.50	3.14	11.93	3.20			
	25.0	9.55	3.00	9.97	3.07	10.40	3.13	10.61	3.16	11.24	3.26	11.65	3.32			
	32.0	8.94	3.30	9.37	3.36	9.79	3.42	10.01	3.46	10.64	3.55	11.07	3.61			
	35.0	8.68	3.44	9.11	3.50	9.53	3.56	9.75	3.59	10.39	3.68	10.81	3.75			
	40.0	8.25	3.67	8.68	3.73	9.11	3.79	9.32	3.82	9.96	3.92	10.38	3.98			

①	②	Indoor air temperature [°C WB]														
		14°C			16°C			18°C			22°C			24°C		
		TC	PI	TC	PI	TC	PI	TC	PI	TC	PI	TC	PI			
2.0+3.5+3.5+3.5	22.0	10.69	3.12	11.16	3.18	11.62	3.24	11.85	3.28	12.55	3.39	13.01	3.45			
	25.0	10.41	3.23	10.88	3.30	11.34	3.37	11.57	3.41	12.26	3.51	12.71	3.58			
	32.0	9.75	3.55	10.22	3.62	10.68	3.69	10.92	3.72	11.61	3.82	12.07	3.89			
	35.0	9.47	3.70	9.94	3.77	10.40	3.84	10.64	3.87	11.33	3.97	11.79	4.04			
	40.0	9.00	3.96	9.47	4.03	9.94	4.09	10.17	4.12	10.86	4.22	11.32	4.29			

Symbols
 TC: Total capacity [kW]
 PI: Power input [kW]
 ⊕ Indoor unit combinations
 ⊗ Indoor air temperature [°C DB]

4D155723

4 Capacity tables

4 - 1 Cooling Capacity Tables

5MWXM90A9

Cooling 50Hz 230V

①	②	Indoor air temperature [°C WB]																			
		14°C				16°C				18°C				22°C				24°C			
		TC	PI	TC	PI	TC	PI	TC	PI	TC	PI	TC	PI	TC	PI	TC	PI				
2.0+3.5+5.0+5.0	22.0	10.59	3.19	11.61	3.25	11.50	3.32	11.23	3.35	12.42	3.46	12.88	3.53								
	25.0	10.31	3.31	10.77	3.37	11.23	3.44	11.46	3.48	12.14	3.59	12.59	3.65								
	32.0	9.66	3.63	10.12	3.70	10.58	3.78	10.81	3.81	11.50	3.91	11.95	3.94								
	35.0	9.36	3.85	9.83	3.85	10.30	3.85	10.53	3.85	11.22	3.85	11.66	3.85								
	40.0	8.87	3.57	9.35	3.57	9.83	3.57	10.06	3.57	10.73	3.57	11.15	3.57								

①	②	Indoor air temperature [°C WB]																			
		14°C				16°C				18°C				22°C				24°C			
		TC	PI	TC	PI	TC	PI	TC	PI	TC	PI	TC	PI	TC	PI	TC	PI				
2.5+2.5+2.5+6.0	22.0	10.29	3.99	10.68	3.95	11.11	3.12	11.33	3.15	12.09	3.25	12.44	3.32								
	25.0	9.96	3.11	10.41	3.17	10.85	3.24	11.07	3.27	11.73	3.37	12.16	3.44								
	32.0	9.33	3.41	9.78	3.48	10.22	3.55	10.44	3.58	11.10	3.67	11.55	3.74								
	35.0	9.06	3.56	9.51	3.62	9.95	3.69	10.17	3.71	10.84	3.81	11.28	3.88								
	40.0	8.61	3.80	9.06	3.87	9.50	3.93	9.72	3.96	10.39	4.06	10.83	4.12								

Symbols
 TC: Total capacity [kW]
 PI: Power input [kW]
 ⊕ Indoor unit combinations
 ⊗ Outdoor air temperature [°C DB]

4D155723

5MWXM90A9

Cooling 50Hz 230V

①	②	Indoor air temperature [°C WB]																			
		14°C				16°C				18°C				22°C				24°C			
		TC	PI	TC	PI	TC	PI	TC	PI	TC	PI	TC	PI	TC	PI	TC	PI				
2.5+2.5+4.2+4.2	22.0	9.58	2.84	10.00	2.88	10.40	2.94	10.61	2.97	11.24	3.07	11.65	3.13								
	25.0	9.33	2.93	9.74	3.00	10.16	3.06	10.36	3.09	10.98	3.18	11.39	3.24								
	32.0	8.74	3.22	9.18	3.29	9.57	3.35	9.78	3.38	10.40	3.47	10.81	3.53								
	35.0	8.48	3.38	8.90	3.42	9.32	3.48	9.53	3.51	10.15	3.60	10.56	3.66								
	40.0	8.06	3.59	8.48	3.65	8.90	3.71	9.11	3.74	9.73	3.83	10.14	3.89								

①	②	Indoor air temperature [°C WB]																			
		14°C				16°C				18°C				22°C				24°C			
		TC	PI	TC	PI	TC	PI	TC	PI	TC	PI	TC	PI	TC	PI	TC	PI				
2.5+3.5+3.5+6.0	22.0	10.68	3.14	11.14	3.19	11.60	3.24	11.83	3.28	12.53	3.38	12.99	3.45								
	25.0	10.40	3.24	10.86	3.30	11.32	3.37	11.55	3.41	12.24	3.51	12.69	3.58								
	32.0	9.74	3.55	10.21	3.62	10.67	3.69	10.90	3.72	11.59	3.82	11.99	3.89								
	35.0	9.46	3.70	9.92	3.77	10.38	3.84	10.62	3.88	11.31	3.97	11.77	4.04								
	40.0	8.92	4.09	9.25	4.09	9.68	4.09	9.88	4.09	10.50	4.09	10.90	4.09								

Symbols
 TC: Total capacity [kW]
 PI: Power input [kW]
 ⊕ Indoor unit combinations
 ⊗ Outdoor air temperature [°C DB]

4D155723

4 Capacity tables

4 - 1 Cooling Capacity Tables

5MWXM90A9

Cooling 50Hz 230V

①	②	Indoor air temperature [°C WB]											
		14°C		16°C		18°C		19°C		22°C		24°C	
		TC	PI	TC	PI	TC	PI	TC	PI	TC	PI	TC	PI
		kW		kW		kW		kW		kW		kW	
3.5+3.5+4.2+4.2	22.0	10.17	3.00	10.61	3.07	11.05	3.12	11.27	3.15	11.93	3.25	12.37	3.31
	25.0	9.90	3.11	10.35	3.17	10.78	3.23	11.00	3.27	11.66	3.37	12.09	3.43
	32.0	9.28	3.41	9.72	3.48	10.16	3.54	10.38	3.57	11.04	3.67	11.48	3.74
	35.0	9.01	3.55	9.45	3.62	9.89	3.68	10.12	3.71	10.78	3.81	11.21	3.88
	40.0	8.56	3.80	9.01	3.86	9.45	3.93	9.67	3.96	10.33	4.05	10.77	4.12
	43.0	8.30	3.95	8.76	3.96	9.19	3.96	9.40	3.96	10.00	3.96	10.41	3.96
	46.0	7.97	3.36	8.33	3.36	8.68	3.36	8.85	3.36	9.37	3.36	9.70	3.36

Symbols

TC: Total capacity [kW]

PI: Power input [kW]

① Indoor unit combinations

② Outdoor air temperature [°C DB]

4D155723

5MWXM90A9

Cooling 50Hz 230V

①	②	Indoor air temperature [°C WB]											
		14°C		16°C		18°C		19°C		22°C		24°C	
		TC	PI	TC	PI	TC	PI	TC	PI	TC	PI	TC	PI
		kW		kW		kW		kW		kW		kW	
1.5	22.0	3.01	0.56	3.14	0.57	3.27	0.58	3.33	0.59	3.53	0.61	3.66	0.62
	25.0	2.93	0.56	3.06	0.60	3.19	0.61	3.25	0.61	3.45	0.63	3.58	0.64
	32.0	2.74	0.64	2.88	0.65	3.01	0.66	3.07	0.67	3.27	0.69	3.40	0.70
	35.0	2.66	0.67	2.80	0.68	2.93	0.69	2.99	0.70	3.19	0.72	3.32	0.73
	40.0	2.53	0.71	2.66	0.73	2.80	0.74	2.86	0.74	3.06	0.76	3.19	0.77
	43.0	2.45	0.74	2.59	0.75	2.72	0.77	2.78	0.77	2.98	0.79	3.11	0.80
	46.0	2.35	0.76	2.50	0.79	2.63	0.80	2.70	0.80	2.89	0.82	3.02	0.83
2.0	22.0	3.13	0.58	3.26	0.60	3.40	0.61	3.46	0.61	3.67	0.63	3.81	0.65
	25.0	3.05	0.61	3.18	0.62	3.32	0.63	3.38	0.64	3.59	0.66	3.72	0.67
	32.0	2.85	0.67	2.99	0.68	3.12	0.69	3.19	0.70	3.40	0.72	3.53	0.73
	35.0	2.77	0.69	2.91	0.71	3.04	0.72	3.11	0.72	3.31	0.74	3.45	0.76
	40.0	2.63	0.74	2.77	0.75	2.91	0.77	2.97	0.77	3.18	0.79	3.31	0.80
	43.0	2.55	0.77	2.69	0.78	2.83	0.80	2.89	0.80	3.10	0.82	3.24	0.83
	46.0	2.44	0.79	2.60	0.82	2.73	0.83	2.80	0.83	3.01	0.85	3.14	0.87
2.5	22.0	3.60	0.68	3.75	0.69	3.91	0.71	3.98	0.71	4.22	0.73	4.36	0.74
	25.0	3.50	0.71	3.65	0.71	3.81	0.73	3.89	0.73	4.12	0.75	4.27	0.77
	32.0	3.28	0.76	3.44	0.78	3.59	0.79	3.67	0.80	3.90	0.82	4.05	0.84
	35.0	3.19	0.80	3.34	0.81	3.50	0.83	3.58	0.83	3.81	0.85	3.97	0.87
	40.0	3.03	0.85	3.19	0.87	3.34	0.88	3.42	0.89	3.65	0.91	3.81	0.92
	43.0	2.93	0.89	3.09	0.90	3.25	0.92	3.33	0.92	3.56	0.94	3.72	0.96
	46.0	2.81	0.91	2.99	0.94	3.14	0.95	3.22	0.96	3.46	0.98	3.61	0.99
3.5	22.0	3.13	0.56	3.83	0.72	4.58	0.90	5.07	0.96	5.37	1.06	5.56	1.08
	25.0	3.13	0.60	3.83	0.77	4.58	0.96	4.95	1.07	5.25	1.10	5.44	1.12
	32.0	3.13	0.72	3.83	0.82	4.57	1.15	4.67	1.16	4.97	1.19	5.16	1.22
	35.0	3.13	0.78	3.83	1.00	4.45	1.20	4.55	1.21	4.85	1.24	5.04	1.26
	40.0	3.13	0.89	3.83	1.15	4.25	1.28	4.35	1.29	4.64	1.32	4.84	1.34
	43.0	3.13	0.97	3.83	1.26	4.13	1.33	4.23	1.34	4.53	1.37	4.73	1.39
	46.0	3.13	1.06	3.80	1.36	4.00	1.38	4.10	1.39	4.40	1.43	4.60	1.44
4.2	22.0	3.54	0.73	4.29	0.91	5.11	1.11	5.68	1.18	5.99	1.28	6.21	1.30
	25.0	3.54	0.78	4.29	0.96	5.11	1.18	5.52	1.26	5.85	1.32	6.07	1.35
	32.0	3.54	0.91	4.29	1.14	5.10	1.39	5.21	1.40	5.50	1.44	5.76	1.47
	35.0	3.54	0.97	4.29	1.22	4.96	1.45	5.08	1.46	5.41	1.50	5.63	1.52
	40.0	3.54	1.10	4.29	1.39	4.74	1.54	4.85	1.55	5.18	1.59	5.40	1.62
	43.0	3.54	1.19	4.29	1.51	4.61	1.60	4.72	1.62	5.06	1.66	5.28	1.68
	46.0	3.54	1.30	4.24	1.64	4.46	1.67	4.57	1.68	4.91	1.72	5.13	1.74
5.0	22.0	3.76	0.70	4.54	0.91	5.39	1.18	5.70	1.24	6.04	1.28	6.26	1.30
	25.0	3.76	0.76	4.54	0.96	5.39	1.28	5.57	1.29	5.91	1.33	6.12	1.35
	32.0	3.76	0.91	4.54	1.21	5.10	1.39	5.28	1.40	5.59	1.44	5.81	1.47
	35.0	3.76	0.99	4.54	1.32	5.01	1.45	5.12	1.46	5.46	1.50	5.68	1.53
	40.0	3.76	1.15	4.56	1.52	4.78	1.55	4.90	1.56	5.23	1.60	5.45	1.62
	43.0	3.76	1.27	4.43	1.58	4.65	1.61	4.77	1.62	5.10	1.66	5.33	1.68
	46.0	3.76	1.40	4.27	1.65	4.50	1.67	4.61	1.68	4.95	1.72	5.18	1.74
6.0	22.0	4.59	0.88	5.40	1.19	6.28	1.44	6.65	1.47	6.98	1.50	7.21	1.52
	25.0	4.59	0.94	5.40	1.26	6.28	1.53	6.59	1.51	6.84	1.54	7.07	1.57
	32.0	4.59	1.18	5.40	1.46	6.19	1.62	6.18	1.63	6.52	1.68	6.75	1.71
	35.0	4.59	1.26	5.40	1.56	5.87	1.68	6.00	1.70	6.39	1.74	6.61	1.77
	40.0	4.59	1.41	5.34	1.77	5.60	1.80	5.73	1.81	6.13	1.85	6.39	1.88
	43.0	4.59	1.52	5.19	1.84	5.45	1.87	5.58	1.88	5.98	1.93	6.24	1.96
	46.0	4.59	1.64	5.01	1.91	5.27	1.94	5.41	1.96	5.80	2.00	6.06	2.02

Symbols

TC: Total capacity [kW]

PI: Power input [kW]

① Indoor unit combinations

② Outdoor air temperature [°C DB]

4D155723

4 Capacity tables

4 - 1 Cooling Capacity Tables

5MWXM90A9

Cooling 50Hz/230V

①	②	Indoor air temperature [°C WB]																			
		14°C				16°C				18°C				22°C				24°C			
		TC	PI	TC	PI	TC	PI	TC	PI	TC	PI	TC	PI	TC	PI	TC	PI	TC	PI	TC	PI
22.0	7.85	2.22	8.19	2.27	8.53	2.31	8.70	2.34	9.21	2.42	9.55	2.46									
25.0	7.84	2.31	7.99	2.36	8.33	2.40	8.49	2.43	9.00	2.50	9.32	2.55									
32.0	7.16	2.54	7.51	2.58	7.84	2.63	8.01	2.66	8.52	2.73	8.86	2.78									
35.0	6.95	2.64	7.30	2.69	7.64	2.74	7.81	2.76	8.32	2.83	8.66	2.88									
40.0	6.61	2.82	6.95	2.87	7.29	2.92	7.46	2.94	7.97	3.01	8.31	3.06									
43.0	6.41	2.94	6.75	2.99	7.09	3.04	7.26	3.06	7.77	3.13	8.12	3.18									
46.0	6.13	3.02	6.52	3.11	6.86	3.16	7.03	3.18	7.55	3.25	7.89	3.29									
22.0	8.12	2.29	8.47	2.34	8.82	2.39	8.99	2.41	9.52	2.50	9.88	2.54									
25.0	7.90	2.38	8.26	2.43	8.61	2.48	8.78	2.51	9.31	2.59	9.62	2.64									
32.0	7.40	2.62	7.76	2.67	8.11	2.72	8.28	2.74	8.81	2.82	9.16	2.87									
35.0	7.19	2.73	7.54	2.78	7.89	2.83	8.07	2.85	8.60	2.93	8.95	2.98									
40.0	6.83	2.92	7.19	2.97	7.54	3.02	7.72	3.04	8.24	3.11	8.59	3.16									
43.0	6.62	3.04	6.98	3.09	7.33	3.14	7.51	3.16	8.04	3.24	8.40	3.28									
46.0	6.33	3.12	6.74	3.21	7.09	3.26	7.27	3.28	7.81	3.36	8.16	3.40									
22.0	5.48	1.16	5.72	1.19	5.95	1.21	6.07	1.23	6.43	1.27	6.67	1.29									
25.0	5.34	1.21	5.58	1.24	5.81	1.26	5.93	1.28	6.29	1.31	6.52	1.34									
32.0	5.00	1.33	5.24	1.36	5.48	1.38	5.59	1.39	5.95	1.43	6.19	1.46									
35.0	4.85	1.39	5.09	1.41	5.33	1.44	5.45	1.45	5.81	1.48	6.04	1.51									
40.0	4.61	1.48	4.85	1.51	5.09	1.53	5.21	1.54	5.57	1.58	5.80	1.61									
43.0	4.47	1.54	4.71	1.57	4.95	1.59	5.07	1.60	5.43	1.64	5.67	1.67									
46.0	4.28	1.58	4.55	1.63	4.79	1.66	4.91	1.67	5.27	1.71	5.51	1.73									
22.0	5.68	1.20	5.93	1.23	6.17	1.26	6.29	1.27	6.67	1.31	6.91	1.34									
25.0	5.53	1.25	5.78	1.28	6.02	1.30	6.15	1.32	6.51	1.36	6.75	1.38									
32.0	5.18	1.38	5.43	1.40	5.67	1.43	5.80	1.44	6.17	1.48	6.41	1.51									
35.0	5.04	1.43	5.28	1.46	5.53	1.49	5.65	1.50	6.02	1.54	6.26	1.56									
40.0	4.78	1.53	5.03	1.56	5.28	1.59	5.40	1.60	5.77	1.64	6.02	1.66									
43.0	4.64	1.59	4.89	1.62	5.13	1.65	5.26	1.66	5.63	1.70	5.88	1.73									
46.0	4.43	1.64	4.72	1.69	4.96	1.71	5.09	1.72	5.47	1.77	5.71	1.79									
22.0	6.20	1.39	6.47	1.43	6.73	1.46	6.86	1.47	7.27	1.52	7.54	1.55									
25.0	6.03	1.45	6.30	1.48	6.57	1.51	6.70	1.53	7.10	1.57	7.36	1.60									
32.0	5.65	1.59	5.92	1.62	6.19	1.66	6.32	1.67	6.73	1.71	6.99	1.75									
35.0	5.49	1.66	5.76	1.69	6.03	1.72	6.16	1.73	6.56	1.78	6.83	1.81									
40.0	5.21	1.77	5.49	1.81	5.76	1.84	5.89	1.85	6.29	1.90	6.56	1.92									
43.0	5.05	1.85	5.33	1.89	5.61	1.92	5.74	1.93	6.14	1.97	6.41	1.99									
46.0	4.83	1.90	5.14	1.96	5.41	1.98	5.55	2.00	5.96	2.05	6.23	2.07									
22.0	7.02	1.79	7.32	1.83	7.62	1.87	7.77	1.88	8.23	1.95	8.54	1.99									
25.0	6.83	1.84	7.10	1.88	7.44	1.94	7.59	1.95	8.05	2.02	8.34	2.06									
32.0	6.40	2.05	6.71	2.09	7.01	2.12	7.16	2.14	7.62	2.20	7.92	2.24									
35.0	6.21	2.13	6.52	2.17	6.82	2.21	6.98	2.23	7.43	2.28	7.74	2.33									
40.0	5.91	2.26	6.21	2.32	6.52	2.36	6.67	2.37	7.13	2.43	7.43	2.47									
43.0	5.75	2.35	6.04	2.41	6.34	2.45	6.49	2.47	6.95	2.53	7.26	2.57									
46.0	5.48	2.44	5.82	2.51	6.13	2.55	6.29	2.57	6.75	2.63	7.05	2.66									
22.0	7.06	1.77	7.37	1.81	7.67	1.85	7.82	1.86	8.29	1.93	8.59	1.96									
25.0	6.88	1.84	7.18	1.88	7.49	1.92	7.64	1.94	8.10	2.00	8.39	2.04									
32.0	6.44	2.02	6.75	2.06	7.05	2.10	7.21	2.12	7.67	2.17	7.97	2.21									
35.0	6.25	2.11	6.56	2.14	6.87	2.18	7.02	2.20	7.48	2.26	7.79	2.30									
40.0	5.94	2.25	6.25	2.29	6.56	2.33	6.71	2.35	7.17	2.40	7.48	2.44									
43.0	5.76	2.34	6.07	2.38	6.38	2.42	6.53	2.44	7.00	2.50	7.31	2.54									
46.0	5.51	2.41	5.86	2.46	6.17	2.52	6.33	2.54	6.79	2.59	7.10	2.63									

①	②	Indoor air temperature [°C WB]																			
		14°C				16°C				18°C				22°C				24°C			
		TC	PI	TC	PI	TC	PI	TC	PI	TC	PI	TC	PI	TC	PI	TC	PI	TC	PI	TC	PI
22.0	8.11	2.29	8.46	2.34	8.81	2.39	8.98	2.41	9.51	2.49	9.86	2.54									
25.0	7.89	2.38	8.25	2.43	8.60	2.48	8.77	2.51	9.30	2.58	9.57	2.64									
32.0	7.39	2.62	7.75	2.67	8.10	2.72	8.27	2.74	8.80	2.81	9.15	2.87									
35.0	7.18	2.73	7.53	2.78	7.88	2.83	8.06	2.85	8.59	2.92	8.94	2.98									
40.0	6.82	2.91	7.18	2.97	7.53	3.01	7.71	3.04	8.23	3.11	8.58	3.16									
43.0	6.61	3.03	6.97	3.08	7.32	3.14	7.50	3.16	8.03	3.24	8.39	3.28									
46.0	6.33	3.12	6.73	3.21	7.08	3.26	7.26	3.28	7.80	3.36	8.15	3.40									
22.0	8.71	2.85	9.09	2.91	9.46	2.96	9.65	2.99	10.22	3.08	10.57	3.14									
25.0	8.48	2.95	8.86	3.01	9.24	3.06	9.43	3.10	9.99	3.19	10.19	3.25									
32.0	7.95	3.23	8.33	3.29	8.70	3.35	8.89	3.38	9.46	3.47	9.84	3.54									
35.0	7.72	3.36	8.10	3.42	8.47	3.49	8.67	3.51	9.23	3.61	9.61	3.67									
40.0	7.33	3.59	7.72	3.66	8.09	3.72	8.28	3.75	8.85	3.84	9.23	3.90									
43.0	7.11	3.74	7.49	3.80	7.87	3.87	8.06	3.90	8.63	3.99	9.01	4.05									
46.0	6.80	3.84	7.23	3.96	7.61	4.02	7.81	4.05	8.38	4.14	8.76	4.19									
22.0	5.69	1.20	5.94	1.23	6.18	1.26	6.31	1.27	6.68	1.31	6.90	1.34									
25.0	5.54	1.25	5.79	1.28	6.04	1.31	6.16	1.32	6.53	1.36	6.76	1.39									
32.0	5.19	1.38	5.44	1.40	5.69	1.43	5.81	1.44	6.18	1.48	6.43	1.51									
35.0	5.04	1.43	5.29	1.46	5.54	1.49	5.66	1.50	6.03	1.54	6.28	1.56									
40.0	4.79	1.53	5.04	1.56	5.29	1.58	5.41	1.59	5.81	1.64	6.06	1.66									
43.0	4.65	1.60	4.90	1.62	5.14	1.65	5.27	1.66	5.64	1.70	5.89	1.73									
46.0	4.44	1.64	4.73	1.69	4.98	1.71	5.10	1.73	5.48	1.77	5.72	1.79									
22.0	6.21	1.39	6.48	1.43	6.75	1.46	6.88	1.47	7.29	1.52	7.56	1.55									
25.0	6.05	1.45	6.32	1.48	6.59	1.51	6.72	1.53	7.12	1.57	7.38	1.61									
32.0	5.66	1.60	5.94	1.63	6.20	1.66	6.34	1.67	6.74	1.71	7.01	1.75									
35.0	5.50	1.66	5.77	1.69	6.04	1.72	6.18	1.74	6.58	1.78	6.85	1.81									
40.0	5.23	1.78	5.50	1.81	5.77	1.84	5.90	1.85	6.31	1.90	6.58	1.93									
43.0	5.07	1.85	5.34	1.88	5.61	1.91	5.75	1.92	6.15	1.97	6.42	2.00									
46.0	4.85	1.90	5.15	1.96	5.43	1.99	5.56	2.00	5.97	2.05	6.24	2.07									
22.0	7.02	1.80	7.33	1.83	7.63	1.85	7.78	1.87	8.24	1.92	8.55	1.96									
25.0	6.84	1.85	7.15	1.88	7.45	1.92	7.60	1.94	8.06	1.99	8.35	2.03									
32.0	6.41	2.02	6.72	2.06	7.02	2.10	7.17	2.11	7.63	2.17	7.93	2.21									
35.0	6.22	2.10	6.53	2.14	6.83	2.18	6.99	2.20	7.44	2.25	7.74	2.29									
40.0	5.91	2.25	6.22	2.29	6.53	2.32	6.68	2.34	7.13	2.40	7.44	2.44									
43.0	5.74	2.34	6.04	2.38	6.34	2.42	6.49	2.44	6.95	2.49	7.26	2.53									
46.0	5.48	2.40	5.83	2.48	6.14	2.51	6.29	2.53	6.76	2.59	7.06	2.62									
22.0	7.90	2.27	8.24	2.32	8.58	2.37	8.75	2.39	9.26	2.47	9.61	2.52									
25.0	7.69	2.38	8.03	2.41	8.37	2.46	8.54	2.49	9.06	2.56	9.37	2.61									
32.0	7.20	2.59	7.55	2.64	7.89	2.69	8.06	2.72	8.57	2.79	8.91	2.84									
35.0	6.99	2.70	7.34	2.75	7.68	2.80	7.85	2.82	8.37	2.90	8.70	2.95									
40.0	6.65	2.89	6.99	2.94	7.34	2.99	7.51	3.01	8.02	3.08	8.36	3.13									
43.0	6.49	3.01	6.78	3.06	7.13	3.11	7.31	3.13	7.82	3.20	8.17	3.25									
46.0	6.16	3.09	6.55	3.18	6.90	3.23	7.08	3.25	7.60	3.33	7.94	3.37									
22.0	8.13	2.29	8.48	2.34	8.83	2.39	9.00	2.42	9.54	2.50	9.89	2.55									
25.0	7.91	2.38	8.27	2.44	8.62	2.49	8.79	2.51	9.32	2.59	9.54	2.64									
32.0	7.41	2.62	7.77	2.67	8.12	2.72	8.30	2.75	8.82	2.82	9.18	2.87									
35.0	7.20	2.73	7.55	2.78	7.91	2.83	8.08	2.85	8.61	2.93											

4 Capacity tables

4 - 1 Cooling Capacity Tables

4**5MWXM90A9**

Cooling 50Hz 230V

①	②	Indoor air temperature [°C WB]																																																																																																																																																																																																																																																																																																																																																																																																																																																																																																																																																																																																																																														
		14°C			16°C			18°C			19°C			22°C			24°C																																																																																																																																																																																																																																																																																																																																																																																																																																																																																																																																																																																																																															
		TC	PI	TC	PI	TC	PI	TC	PI	TC	PI	TC	PI	TC	PI	TC	PI																																																																																																																																																																																																																																																																																																																																																																																																																																																																																																																																																																																																																															
6.0~7.1	22.0	9.06	2.79	9.70	3.02	10.10	3.09	10.30	3.12	10.91	3.22	11.31	3.28	25.0	9.06	3.09	9.46	3.14	9.86	3.21	10.06	3.24	10.66	3.34	11.05	3.40	32.0	8.48	3.38	8.89	3.45	9.29	3.51	9.49	3.54	10.09	3.63	10.50	3.70	35.0	8.24	3.32	8.64	3.36	9.04	3.45	9.25	3.48	9.85	3.57	10.25	3.64	40.0	7.83	3.76	8.24	3.83	8.64	3.89	8.84	3.92	9.44	4.02	9.85	4.08	43.0	7.59	3.92	8.00	3.98	8.40	4.05	8.60	4.08	9.21	4.18	9.62	4.24	46.0	7.51	3.48	7.83	3.48	8.16	3.48	8.31	3.48	8.77	3.48	9.07	3.48	25.0	9.07	2.79	9.72	3.02	10.11	3.09	10.31	3.12	10.92	3.22	11.33	3.29	32.0	8.49	3.38	8.90	3.45	9.30	3.51	9.50	3.54	10.11	3.64	10.51	3.70	35.0	8.25	3.32	8.65	3.36	9.05	3.45	9.26	3.48	9.86	3.57	10.26	3.64	40.0	7.84	3.77	8.24	3.83	8.65	3.89	8.85	3.92	9.45	4.02	9.86	4.08	43.0	7.60	3.92	8.01	3.98	8.41	4.05	8.62	4.08	9.22	4.18	9.63	4.24	46.0	7.52	3.48	7.85	3.48	8.17	3.48	8.32	3.48	8.78	3.48	9.08	3.48	22.0	6.18	1.16	6.45	1.19	6.72	1.23	6.85	1.25	7.31	1.32	7.66	1.35	25.0	6.02	1.23	6.29	1.27	6.56	1.30	6.69	1.33	7.11	1.38	7.44	1.41	32.0	5.64	1.40	5.91	1.43	6.18	1.46	6.31	1.47	6.71	1.51	6.98	1.54	35.0	5.48	1.46	5.75	1.49	6.01	1.51	6.15	1.52	6.55	1.57	6.82	1.59	40.0	5.08	1.56	5.48	1.59	5.74	1.63	5.88	1.64	6.28	1.70	6.55	1.74	43.0	4.87	1.64	5.32	1.68	5.59	1.72	5.72	1.74	6.13	1.80	6.40	1.84	46.0	4.67	1.74	5.09	1.78	5.44	1.81	5.52	1.84	5.95	1.90	6.21	1.94	22.0	6.18	1.20	6.45	1.24	6.72	1.27	6.85	1.29	7.25	1.34	7.53	1.36	25.0	6.02	1.27	6.29	1.30	6.56	1.33	6.69	1.34	7.09	1.38	7.35	1.41	32.0	5.64	1.40	5.91	1.43	6.18	1.46	6.31	1.47	6.71	1.51	6.98	1.54	35.0	5.48	1.46	5.75	1.49	6.01	1.51	6.15	1.52	6.55	1.57	6.82	1.59	40.0	5.16	1.56	5.48	1.59	5.74	1.61	5.88	1.63	6.28	1.68	6.55	1.71	43.0	4.97	1.63	5.32	1.66	5.59	1.69	5.72	1.71	6.13	1.77	6.40	1.80	46.0	4.78	1.71	5.09	1.75	5.40	1.78	5.54	1.80	5.95	1.85	6.21	1.89	22.0	6.76	1.43	7.05	1.46	7.34	1.49	7.48	1.50	7.93	1.55	8.22	1.58	25.0	6.58	1.48	6.87	1.51	7.16	1.55	7.31	1.56	7.75	1.61	8.03	1.64	32.0	6.16	1.63	6.46	1.66	6.75	1.69	6.90	1.71	7.33	1.75	7.63	1.79	35.0	5.98	1.70	6.28	1.73	6.57	1.76	6.72	1.77	7.16	1.82	7.45	1.85	40.0	5.69	1.81	5.98	1.85	6.28	1.88	6.42	1.89	6.86	1.94	7.15	1.97	43.0	5.51	1.89	5.81	1.92	6.10	1.95	6.25	1.97	6.69	2.02	6.99	2.05	46.0	5.27	1.96	5.61	2.00	5.90	2.03	6.05	2.05	6.50	2.11	6.79	2.14	22.0	7.24	1.70	7.58	1.74	7.87	1.78	8.02	1.80	8.50	1.86	8.81	1.89	25.0	7.05	1.77	7.37	1.81	7.68	1.85	7.83	1.87	8.31	1.92	8.61	1.95	32.0	6.61	1.95	6.92	1.99	7.23	2.02	7.39	2.04	7.86	2.10	8.18	2.14	35.0	6.41	2.03	6.73	2.07	7.04	2.11	7.20	2.12	7.67	2.18	7.98	2.22	40.0	6.09	2.17	6.41	2.21	6.73	2.24	6.88	2.26	7.35	2.32	7.67	2.36	43.0	5.88	2.26	6.24	2.30	6.54	2.34	6.70	2.36	7.17	2.43	7.49	2.47	46.0	5.65	2.38	6.01	2.41	6.33	2.45	6.49	2.47	6.97	2.55	7.29	2.58	22.0	7.71	1.81	8.05	1.85	8.38	1.89	8.54	1.91	9.05	1.97	9.38	2.01	25.0	7.51	1.89	7.85	1.93	8.18	1.97	8.34	1.99	8.85	2.05	9.17	2.09	32.0	7.04	2.07	7.37	2.11	7.70	2.15	7.87	2.17	8.37	2.23	8.71	2.27	35.0	6.84	2.15	7.17	2.19	7.50	2.23	7.67	2.25	8.17	2.31	8.50	2.35	40.0	6.49	2.31	6.83	2.35	7.17	2.39	7.33	2.41	7.83	2.46	8.17	2.50	43.0	6.29	2.40	6.63	2.44	6.97	2.48	7.14	2.50	7.64	2.56	7.98	2.60	46.0	6.02	2.48	6.40	2.54	6.74	2.58	6.91	2.60	7.42	2.66	7.75	2.69

①	②	Indoor air temperature [°C WB]																																																																																																																																																																																																																																																																																																																																																																																																																																																																																																																																																																																																																																														
		14°C			16°C			18°C			19°C			22°C			24°C																																																																																																																																																																																																																																																																																																																																																																																																																																																																																																																																																																																																																															
		TC	PI	TC	PI	TC	PI	TC	PI	TC	PI	TC	PI	TC	PI																																																																																																																																																																																																																																																																																																																																																																																																																																																																																																																																																																																																																																	
1.5+1.5+0	22.0	8.22	2.20	8.58	2.25	8.93	2.30	9.11	2.32	9.65	2.40	10.00	2.45	25.0	8.00	2.29	8.36	2.34	8.72	2.39	8.89	2.42	9.43	2.49	9.77	2.54	32.0	7.50	2.52	7.86	2.57	8.21	2.62	8.39	2.64	8.93	2.71	9.28	2.76	35.0	7.28	2.63	7.64	2.67	8.00	2.72	8.18	2.74	8.71	2.82	9.06	2.87	40.0	6.92	2.81	7.28	2.86	7.64	2.90	7.80	2.93	8.35	3.00	8.71	3.05	43.0	6.71	2.92	7.07	2.97	7.43	3.02	7.61	3.04	8.15	3.13	8.51	3.19	46.0	6.25	2.67	6.61	2.67	6.95	2.67	7.12	2.67	7.67	2.75	7.95	2.67	25.0	8.79	2.66	9.18	2.72	9.55	2.78	9.74	2.81	10.32	2.90	10.70	2.96	32.0	8.02	3.04	8.41	3.10	8.78	3.16	8.97	3.19	9.55	3.27	9.93	3.33	35.0	7.79	3.17	8.17	3.23	8.55	3.29	8.75	3.31	9.32	3.40	9.69	3.46	40.0	7.40	3.39	7.79	3.45	8.17	3.50	8.35	3.53	8.93	3.62	9.31	3.67	43.0	7.17	3.53	7.56	3.59	7.94	3.65	8.14	3.67	8.71	3.76	9.10	3.82	46.0	6.83	3.23	7.18	3.23	7.52	3.23	7.69	3.23	8.19	3.23	8.51	3.23	22.0	9.31	2.82	9.72	2.88	10.12	2.94	10.32	2.97	10.93	3.07	11.33	3.13	25.0	9.07	2.93	9.47	2.99	9.87	3.06	10.07	3.09	10.68	3.18	11.07	3.24	32.0	8.49	3.22	8.90	3.28	9.30	3.34	9.50	3.37	10.11	3.46	10.51	3.53	35.0	8.25	3.38	8.65	3.42	9.06	3.48	9.26	3.50	9.87	3.60	10.27	3.66	40.0	7.84	3.59	8.25	3.65	8.65	3.71	8.85	3.74	9.46	3.83	9.86	3.89	43.0	7.60	3.73	8.01	3.79	8.41	3.86	8.62	3.88	9.23	3.96	9.63	4.04	46.0	7.35	3.43	7.70	3.43	8.04	3.43	8.21	3.43	8.71	3.43	9.03	3.43	22.0	6.62	1.40	6.90	1.43	7.19	1.46	7.33	1.47	7.76	1.52	8.05	1.55	25.0	6.44	1.45	6.72	1.49	7.02	1.52	7.16	1.53	7.59	1.58	7.86	1.61	32.0	6.03	1.60	6.32	1.63	6.61	1.66	6.75	1.67	7.18	1.72	7.47	1.75	35.0	5.86	1.66	6.15	1.70	6.43	1.73	6.58	1.74	7.01	1.78	7.29	1.82	40.0	5.57	1.78	5.88	1.81	6.15	1.84	6.29	1.85	6.72	1.90	7.00	1.93	43.0	5.40	1.85	5.69	1.88	5.98	1.91	6.12	1.93	6.55	1.98	6.84	2.01	46.0	5.16	1.92	5.49	1.96	5.78	1.99	5.93	2.01	6.36	2.07	6.65	2.10	22.0	6.76	1.43	7.05	1.46	7.34	1.49	7.48	1.50	7.93	1.55	8.23	1.58	25.0	6.58	1.48	6.87	1.51	7.16	1.55	7.31	1.56	7.75	1.61	8.04	1.64	32.0	6.17	1.63	6.46	1.66	6.75	1.69	6.90	1.71	7.34	1.75	7.63	1.79	35.0	5.99	1.70	6.28	1.73	6.58	1.76	6.72	1.77	7.16	1.82	7.45	1.85	40.0	5.69	1.82	5.99	1.85	6.28	1.88	6.43	1.89	6.86	1.94	7.15	1.97	43.0	5.52	1.89	5.81	1.92	6.11	1.95	6.26	1.97	6.70	2.02	6.99	2.05	46.0	5.28	1.94	5.61	2.00	5.91	2.03	6.06	2.05	6.50	2.09	6.79	2.12	22.0	7.59	1.79	7.92	1.83	8.25	1.87	8.41	1.88	8.91	1.95	9.23	1.99	25.0	7.39	1.86	7.72	1.90	8.05	1.94	8.21	1.96	8.70	2.02	9.02	2.06	32.0	6.92	2.04	7.26	2.08	7.58	2.12	7.75	2.14	8.24	2.20	8.57	2.24	35.0	6.72	2.13	7.05	2.17	7.38	2.21	7.55	2.22	8.04	2.28	8.37	2.32	40.0	6.39	2.28	6.72	2.32	7.05	2.35	7.22	2.37	7.71	2.43	8.04	2.47	43.0	6.19	2.37	6.53	2.41	6.86	2.45	7.02	2.47	7.52	2.53	7.85	2.56	46.0	5.92	2.45	6.30	2.51	6.63	2.54	6.80	2.56	7.30	2.62	7.63	2.65	22.0	8.04	2.17	8.39	2.21	8.74	2.26	8.91	2.28	9.44	2.36	9.79	2.41	25.0	7.84	2.25	8.18	2.29	8.53	2.35	8.70	2.38	9.22	2.44	9.56	2.49	32.0	7.34	2.48	7.69	2.52	8.03	2.57	8.21	2.59	8.73	2.66	9.08	2.71	35.0	7.12	2.58	7.48	2.63	7.82	2.67	8.00	2.69	8.52	2.77	8.87	2.81	40.0	6.77	2.76	7.12	2.81	7.47	2.85	7.65	2.87	8.17	2.94	8.52	2.99	43.0	6.56	2.87	6.92	2.92	7.27	2.97	7.44	2.99	7.97	3.06	8.32	3.11	46.0	6.28	2.95	6.68	3.04	7.03	3.08	7.21	3.10	7.74	3.18	8.08	3.22

Symbols

TC: Total capacity [kW]

PI: Power input [kW]

Ⓢ: Indoor unit combinations

4 Capacity tables

4 - 1 Cooling capacity Tables

5MWXM90A9

Cooling 50Hz 230V

①	②	Indoor air temperature [°C WB]																								
		14°C			16°C			18°C			22°C			24°C												
		TC	PI	CI	TC	PI	CI	TC	PI	CI	TC	PI	CI	TC	PI	CI										
1.5+4.2+4.2	22.0	8.74	2.68	0.12	2.73	9.49	2.79	0.68	2.82	10.25	2.91	10.63	2.97	22.0	10.19	3.06	10.64	3.12	11.07	3.19	11.29	3.22	11.96	3.33	12.40	3.40
	25.0	8.51	2.78	0.89	2.84	9.26	2.90	0.45	2.93	10.02	3.02	10.39	3.08	25.0	9.92	3.18	10.37	3.25	10.81	3.32	11.02	3.35	11.69	3.45	12.11	3.52
	32.0	7.97	3.06	0.35	3.12	8.73	3.18	0.82	3.21	9.48	3.29	9.86	3.35	32.0	9.29	3.50	9.74	3.56	10.18	3.63	10.40	3.66	11.06	3.76	11.50	3.83
	35.0	7.74	3.19	0.12	3.25	8.50	3.30	0.69	3.33	9.26	3.42	9.63	3.48	35.0	9.03	3.64	9.47	3.71	9.91	3.78	10.14	3.80	10.80	3.90	11.23	3.97
	40.0	7.35	3.41	1.74	3.47	8.12	3.52	8.31	3.55	8.87	3.64	9.25	3.69	40.0	8.58	3.89	9.02	3.96	9.47	4.03	9.69	4.06	10.36	4.16	10.79	4.22

①	②	Indoor air temperature [°C WB]																								
		14°C			16°C			18°C			22°C			24°C												
		TC	PI	CI	TC	PI	CI	TC	PI	CI	TC	PI	CI	TC	PI	CI										
1.5+6.0+6.0	22.0	10.19	3.06	10.64	3.12	11.07	3.19	11.29	3.22	11.96	3.33	12.40	3.40	22.0	10.20	3.06	10.64	3.13	11.08	3.19	11.30	3.22	11.97	3.33	12.41	3.40
	25.0	9.92	3.18	10.37	3.25	10.81	3.32	11.02	3.35	11.70	3.45	12.11	3.52	25.0	9.93	3.18	10.37	3.25	10.81	3.32	11.03	3.35	11.70	3.45	12.12	3.52
	32.0	9.29	3.50	9.74	3.56	10.18	3.63	10.40	3.66	11.06	3.76	11.50	3.83	32.0	9.30	3.50	9.75	3.56	10.19	3.63	10.41	3.66	11.07	3.76	11.51	3.83
	35.0	9.03	3.64	9.47	3.71	9.91	3.78	10.14	3.80	10.80	3.90	11.23	3.97	35.0	9.03	3.64	9.48	3.71	9.92	3.78	10.14	3.80	10.81	3.90	11.24	3.97
	40.0	8.58	3.89	9.02	3.96	9.47	4.03	9.69	4.06	10.36	4.16	10.79	4.22	40.0	8.58	3.89	9.03	3.96	9.47	4.03	9.69	4.06	10.36	4.16	10.80	4.22

Symbols
 TC: Total capacity [kW]
 PI: Power input [kW]
 CI: Indoor unit combinations
 ⊙: Outdoor air temperature [°C DB]

4D155723
5MWXM90A9

Cooling 50Hz 230V

①	②	Indoor air temperature [°C WB]																								
		14°C			16°C			18°C			22°C			24°C												
		TC	PI	CI	TC	PI	CI	TC	PI	CI	TC	PI	CI	TC	PI	CI										
2.0+2.0+5.0	22.0	9.29	2.81	9.70	2.88	10.10	2.94	10.30	2.97	10.93	3.06	11.31	3.12	22.0	9.61	2.94	10.03	3.00	10.44	3.07	10.65	3.10	11.28	3.20	11.69	3.27
	25.0	9.05	2.93	8.45	2.98	9.26	3.06	9.69	3.09	10.63	3.18	10.51	3.24	25.0	9.39	3.06	9.32	3.13	9.79	3.19	10.40	3.22	11.05	3.32	11.46	3.39
	32.0	8.48	3.22	8.85	3.28	9.24	3.34	9.23	3.35	10.09	3.45	10.49	3.52	32.0	8.77	3.36	9.19	3.43	9.60	3.49	9.92	3.52	10.43	3.61	10.85	3.68
	35.0	8.23	3.35	8.64	3.41	9.04	3.47	9.24	3.50	9.85	3.59	10.25	3.66	35.0	8.51	3.50	8.93	3.57	9.35	3.63	9.56	3.66	10.18	3.75	10.60	3.82
	40.0	7.82	3.58	8.23	3.64	8.63	3.70	8.84	3.73	9.44	3.82	9.84	3.88	40.0	8.09	3.74	8.51	3.81	8.93	3.87	9.14	3.90	9.76	4.00	10.18	4.06

①	②	Indoor air temperature [°C WB]																								
		14°C			16°C			18°C			19°C			22°C			24°C									
		TC	PI	CI	TC	PI	CI	TC	PI	CI	TC	PI	CI	TC	PI	CI	TC	PI	CI							
2.0+2.5+7.1	22.0	9.29	2.81	9.70	2.88	10.10	2.94	10.30	2.97	10.93	3.06	11.31	3.12	22.0	8.71	2.68	9.09	2.74	9.48	2.79	9.67	2.82	10.24	2.92	10.61	2.97
	25.0	9.05	2.93	8.45	2.98	9.26	3.06	9.69	3.09	10.63	3.18	10.51	3.24	25.0	8.48	2.79	8.86	2.85	9.24	2.91	9.43	2.94	9.99	3.03	10.36	3.08
	32.0	8.75	3.36	9.17	3.42	9.58	3.49	9.79	3.52	10.42	3.61	10.83	3.68	32.0	7.95	3.07	8.33	3.12	8.70	3.18	8.89	3.21	9.46	3.29	9.84	3.36
	35.0	8.50	3.50	8.92	3.56	9.33	3.63	9.54	3.65	10.17	3.75	10.58	3.82	35.0	7.72	3.19	8.10	3.25	8.47	3.31	8.67	3.33	9.23	3.42	9.61	3.48
	40.0	8.07	3.74	8.50	3.81	8.91	3.87	9.12	3.90	9.74	3.99	10.16	4.06	40.0	7.33	3.41	7.72	3.47	8.10	3.53	8.28	3.56	8.85	3.64	9.23	3.70

Symbols
 TC: Total capacity [kW]
 PI: Power input [kW]
 CI: Indoor unit combinations
 ⊙: Outdoor air temperature [°C DB]

4D155723

4 Capacity tables

4 - 1 Cooling Capacity Tables

5MWXM90A9

Cooling 50Hz 230V

①	②	Indoor air temperature [°C WB]														
		14°C			16°C			18°C			22°C			24°C		
		TC	PI	kW	TC	PI	kW	TC	PI	kW	TC	PI	kW	TC	PI	kW
2.0+4.2+5.0	22.0	9.14	2.62	0.53	2.88	0.92	2.84	10.12	2.97	10.72	3.07	11.11	3.13			
	25.0	8.90	2.94	0.29	3.00	0.69	3.06	9.88	3.09	10.48	3.18	10.86	3.25			
	32.0	8.33	3.23	0.73	3.29	0.91	3.35	9.32	3.38	9.92	3.47	10.31	3.53			
	35.0	8.09	3.36	0.49	3.42	0.89	3.48	9.09	3.51	9.68	3.60	10.07	3.67			
	40.0	7.69	3.59	0.69	3.65	0.49	3.71	8.68	3.74	9.28	3.83	9.67	3.89			
	43.0	7.45	3.74	0.76	3.80	0.25	3.86	8.45	3.89	9.05	3.99	9.45	4.05			
	46.0	7.13	3.35	0.74	3.35	0.83	3.35	8.00	3.35	8.49	3.35	8.83	3.35			
2.0+4.2+6.0	22.0	9.56	2.91	0.98	2.98	1.08	3.04	10.59	3.07	11.22	3.17	11.63	3.24			
	25.0	9.31	3.03	0.73	3.10	1.04	3.16	10.34	3.19	10.96	3.29	11.36	3.35			
	32.0	8.72	3.33	0.94	3.39	0.55	3.46	9.76	3.49	10.38	3.58	10.79	3.65			
	35.0	8.47	3.47	0.88	3.53	0.30	3.60	9.51	3.62	10.13	3.72	10.54	3.79			
	40.0	8.05	3.71	0.47	3.77	0.88	3.83	9.09	3.86	9.71	3.96	10.12	4.02			
	43.0	7.80	3.86	0.22	3.82	0.64	3.88	8.85	4.02	9.47	4.12	9.89	4.18			
	46.0	7.56	3.46	0.92	3.46	0.26	3.46	8.43	3.46	8.92	3.46	9.25	3.46			
2.0+4.2+7.1	22.0	9.58	2.92	1.00	2.98	1.04	3.04	10.61	3.07	11.24	3.18	11.65	3.24			
	25.0	9.33	3.03	0.74	3.10	1.06	3.16	10.36	3.20	10.98	3.29	11.39	3.36			
	32.0	8.74	3.34	0.96	3.40	0.57	3.46	9.78	3.49	10.40	3.58	10.81	3.65			
	35.0	8.48	3.47	0.90	3.54	0.31	3.60	9.53	3.63	10.15	3.72	10.56	3.79			
	40.0	8.06	3.71	0.48	3.78	0.90	3.84	9.10	3.87	9.73	3.96	10.14	4.03			
	43.0	7.81	3.86	0.24	3.83	0.65	3.89	8.86	4.02	9.49	4.12	9.91	4.18			
	46.0	7.58	3.47	0.93	3.47	0.27	3.47	8.44	3.47	8.94	3.47	9.27	3.47			
2.0+5.0+5.0	22.0	9.32	2.67	0.73	2.93	1.01	2.99	10.32	3.02	10.93	3.12	11.34	3.18			
	25.0	9.07	2.98	0.48	3.05	0.88	3.11	10.08	3.14	10.69	3.24	11.08	3.30			
	32.0	8.50	3.28	0.91	3.34	0.31	3.40	9.51	3.43	10.12	3.52	10.52	3.59			
	35.0	8.25	3.41	0.66	3.48	0.06	3.54	9.27	3.56	9.87	3.66	10.27	3.73			
	40.0	7.84	3.65	0.25	3.71	0.86	3.77	8.86	3.80	9.46	3.90	9.87	3.96			
	43.0	7.60	3.80	0.01	3.86	0.38	3.90	8.58	3.90	9.19	3.90	9.57	3.90			
	46.0	7.22	3.21	0.58	3.21	0.92	3.21	8.09	3.21	8.59	3.21	8.93	3.21			
2.0+5.0+6.0	22.0	9.75	2.96	1.08	3.03	1.06	3.09	10.81	3.12	11.44	3.23	11.87	3.29			
	25.0	9.50	3.08	0.92	3.15	1.04	3.21	10.55	3.25	11.19	3.34	11.60	3.41			
	32.0	8.90	3.39	0.32	3.45	0.74	3.52	9.96	3.55	10.59	3.64	11.01	3.71			
	35.0	8.64	3.53	0.07	3.59	0.49	3.66	9.70	3.68	10.33	3.78	10.75	3.85			
	40.0	8.21	3.77	0.64	3.84	0.06	3.90	9.27	3.93	9.90	4.02	10.33	4.09			
	43.0	7.96	3.92	0.39	3.99	0.82	4.02	9.02	4.02	9.62	4.02	10.00	4.02			
	46.0	7.66	3.53	0.81	3.53	0.36	3.53	8.53	3.53	9.03	3.53	9.36	3.53			
2.0+5.0+7.1	22.0	9.77	2.96	1.02	3.03	1.06	3.10	10.82	3.12	11.46	3.23	11.89	3.29			
	25.0	9.51	3.08	0.94	3.15	1.06	3.21	10.55	3.25	11.20	3.33	11.61	3.41			
	32.0	8.91	3.39	0.34	3.45	0.76	3.52	9.97	3.55	10.61	3.64	11.03	3.71			
	35.0	8.65	3.53	0.08	3.59	0.50	3.66	9.72	3.69	10.35	3.78	10.77	3.85			
	40.0	8.22	3.77	0.65	3.84	0.06	3.90	9.29	3.93	9.92	4.03	10.34	4.09			
	43.0	7.97	3.93	0.40	3.99	0.83	4.03	9.03	4.03	9.64	4.03	10.02	4.03			
	46.0	7.68	3.53	0.83	3.53	0.37	3.53	8.54	3.53	9.04	3.53	9.38	3.53			
2.0+6.0+6.0	22.0	10.19	3.06	1.04	3.12	1.07	3.19	11.29	3.22	11.96	3.33	12.40	3.40			
	25.0	9.92	3.18	1.07	3.25	1.01	3.32	11.02	3.35	11.69	3.45	12.11	3.52			
	32.0	9.29	3.50	0.74	3.56	1.08	3.63	10.40	3.66	11.06	3.76	11.50	3.83			
	35.0	9.03	3.64	0.47	3.71	0.91	3.78	10.14	3.80	10.80	3.90	11.23	3.97			
	40.0	8.58	3.89	0.02	3.96	0.47	4.02	9.69	4.06	10.35	4.16	10.79	4.22			
	43.0	8.31	4.05	0.76	4.12	0.26	4.15	9.46	4.15	10.06	4.15	10.44	4.15			
	46.0	8.10	3.44	0.45	3.44	0.80	3.44	8.97	3.44	9.47	3.44	9.80	3.44			

①	②	Indoor air temperature [°C WB]														
		14°C			16°C			18°C			22°C			24°C		
		TC	PI	kW	TC	PI	kW	TC	PI	kW	TC	PI	kW	TC	PI	kW
2.0+6.0+7.1	22.0	10.20	3.10	1.04	3.15	1.08	3.20	11.30	3.24	11.97	3.33	12.38	3.40			
	25.0	9.93	3.20	1.07	3.26	1.08	3.32	11.03	3.35	11.70	3.45	12.12	3.52			
	32.0	9.30	3.50	0.75	3.56	1.09	3.63	10.41	3.66	11.07	3.76	11.51	3.83			
	35.0	9.03	3.64	0.48	3.71	0.92	3.78	10.14	3.80	10.81	3.90	11.24	3.97			
	40.0	8.58	3.89	0.03	3.96	0.47	4.03	9.69	4.06	10.36	4.16	10.80	4.22			
	43.0	8.32	4.05	0.77	4.12	0.30	4.10	9.49	4.10	10.07	4.10	10.43	4.10			
	46.0	8.20	3.49	0.54	3.49	0.86	3.49	9.03	3.49	9.50	3.49	9.92	3.49			
2.5+2.5+2.5	22.0	7.91	2.20	0.28	2.23	0.59	2.27	8.76	2.29	9.28	2.35	9.61	2.38			
	25.0	7.70	2.27	0.05	2.30	0.39	2.33	8.56	2.36	9.07	2.41	9.40	2.46			
	32.0	7.22	2.44	0.56	2.49	0.79	2.53	8.07	2.56	8.59	2.62	8.93	2.67			
	35.0	7.01	2.54	0.35	2.59	0.69	2.64	7.87	2.65	8.38	2.73	8.72	2.77			
	40.0	6.66	2.72	0.01	2.77	0.35	2.81	7.52	2.83	8.03	2.90	8.38	2.95			
	43.0	6.45	2.83	0.80	2.88	0.15	2.92	7.32	2.93	7.84	3.02	8.18	3.06			
	46.0	6.17	2.91	0.57	2.99	0.61	3.04	7.09	3.06	7.61	3.13	7.95	3.17			
2.5+2.5+3.5	22.0	8.48	2.29	0.88	2.33	0.21	2.38	9.39	2.41	9.95	2.49	10.32	2.53			
	25.0	8.26	2.38	0.63	2.43	0.99	2.47	9.18	2.50	9.73	2.58	10.08	2.63			
	32.0	7.74	2.61	0.11	2.66	0.47	2.71	8.66	2.73	9.21	2.80	9.57	2.86			
	35.0	7.51	2.72	0.88	2.77	0.25	2.82	8.44	2.84	8.99	2.91	9.35	2.97			
	40.0	7.14	2.90	0.51	2.96	0.98	3.00	8.06	3.03	8.61	3.10	8.98	3.15			
	43.0	6.92	3.03	0.29	3.07	0.66	3.13	7.85	3.15	8.40	3.23	8.77	3.27			
	46.0	6.62	3.11	0.04	3.20	0.41	3.25	7.60	3.27	8.16	3.35	8.52	3.39			
2.5+2.5+4.2	22.0	8.69	2.71	0.07	2.76	0.44	2.80	9.63	2.83	10.20	2.91	10.58	2.97			
	25.0	8.46	2.80	0.84	2.85	0.22	2.90	9.40	2.93	9.97	3.02	10.33	3.08			
	32.0	7.93	3.06	0.31	3.11	0.68	3.17	8.87	3.20	9.44	3.28	9.81	3.35			
	35.0	7.70	3.18	0.08	3.24	0.45	3.30	8.65	3.32	9.21	3.41	9.58	3.47			
	40.0	7.32	3.40	0.70	3.46	0.08	3.52	8.26	3.55	8.83	3.63	9.20	3.69			
	43.0	7.09	3.54	0.48	3.60	0.65	3.66	8.04	3.69	8.61	3.76	8.99	3.83			
	46.0	6.78	3.64	0.22	3.75	0.60	3.80	7.79	3.83	8.36	3.92	8.74	3.97			
2.5+2.5+5.0	22.0	8.89	2.77	0.28	2.81	0.66	2.84	9.85	2.87	10.43	2.97	10.82	3.02			
	25.0	8.66	2.86	0.05	2.89	0.43	2.95	9.62	2.99	10.20	3.07	10.57	3.13			
	32.0	8.11	3.11	0.50	3.17	0.88	3.23	9.08	3.26	9.65	3.35	10.04	3.41			
	35.0	7.88	3.24	0.26	3.30	0.65	3.36	8.84	3.39	9.42	3.48	9.80	3.54			
	40.0	7.48	3.47	0.88	3.53	0.26	3.58	8.45	3.61	9.03	3.70	9.42	3.76			
	43.0	7.26	3.61	0.65	3.67	0.03	3.73	8.25	3.76	8.81	3.85	9.20	3.90			
	46.0	6.93	3.51	0.28	3.61	0.62	3.71	7.99	3.73	8.29	3.81	8.61	3.81			
2.5+2.5+6.0	22.0	9.42	2.84	0.83	2.91	1.02	2.97	10.44	3.00	11.05	3.10	11.46	3.16			
	25.0	9.17	2.96	0.58	3.02	0.99	3.09	10.19	3.12	10.80	3.21	11.20	3.27			
	32.0	8.59	3.25	0.01	3.32	0.41	3.38	9.62	3.41	10.23	3.50	10.64	3.56			
	35.0	8.34	3.39	0.76	3.45	0.16	3.51	9.37	3.54	9.98	3.63	10.39	3.70			
	40.0	7.93	3.62	0.34	3.69	0.75	3.75	8.96	3.77	9.57	3.87	9.98	3.83			
	43.0	7.69	3.77	0.10	3.83	0.51	3.90	8.72	3.93	9.33	4.02	9.75	4.08			
	46.0	7.44														

4 Capacity tables

4 - 2 Heating Capacity Tables

5MWXM68A9

Heating - 50Hz 230V-

①	②	Indoor air temperature [°C DB]																									
		16°C			18°C			20°C			21°C			22°C			24°C										
		TC	PI	TC	PI	TC	PI	TC	PI	TC	PI	TC	PI	TC	PI	TC	PI	TC	PI								
1.5+2.5+2.5+2.5	-15.0	6.09	2.26	5.95	2.30	5.80	2.33	5.73	2.34	5.66	2.35	5.52	2.39	-15.0	6.20	2.31	6.07	2.34	5.92	2.37	5.85	2.39	5.78	2.40	5.63	2.42	<p>Symbols</p> <p>TC: Total capacity [kW]</p> <p>PI: Power input [kW]</p> <p>① Indoor unit combinations</p> <p>② Outdoor air temperature [°C WB]</p>
	-10.0	7.26	2.40	7.12	2.43	6.88	2.46	6.90	2.48	6.83	2.49	6.69	2.51	-10.0	7.39	2.45	7.24	2.47	7.10	2.49	7.02	2.52	6.96	2.53	6.81	2.55	
	-5.0	8.44	2.54	8.29	2.57	8.15	2.59	8.08	2.62	8.01	2.63	7.86	2.65	-5.0	8.57	2.57	8.43	2.60	8.28	2.63	8.21	2.64	8.14	2.66	7.99	2.68	
	0.0	9.61	2.67	9.47	2.70	9.32	2.73	9.25	2.74	9.18	2.76	9.04	2.79	0.0	9.75	2.70	9.60	2.74	9.46	2.76	9.39	2.77	9.32	2.78	9.17	2.82	
	5.0	11.01	2.83	10.87	2.87	10.73	2.90	10.66	2.91	10.59	2.92	10.44	2.96	5.0	11.16	2.86	11.03	2.89	10.88	2.92	10.81	2.93	10.73	2.94	10.58	2.98	
1.5+2.5+3.5+3.5	10.0	11.96	2.94	11.81	2.97	11.67	3.01	11.60	3.02	11.53	3.03	11.38	3.06	10.0	12.11	2.96	11.96	2.99	11.83	3.02	11.75	3.04	11.68	3.05	11.53	3.07	
	15.0	13.13	3.06	12.99	3.11	12.84	3.13	12.77	3.16	12.70	3.17	12.55	3.20	15.0	13.28	3.10	13.15	3.12	13.00	3.15	12.93	3.17	12.85	3.18	12.72	3.21	
	-15.0	6.16	2.32	6.02	2.34	5.88	2.38	5.81	2.39	5.74	2.40	5.59	2.43	-15.0	6.21	2.28	6.07	2.31	5.92	2.34	5.91	2.35	5.79	2.36	5.64	2.40	
	-10.0	7.36	2.45	7.21	2.48	7.07	2.50	6.99	2.53	6.92	2.54	6.77	2.56	-10.0	7.40	2.41	7.25	2.43	7.10	2.47	7.03	2.48	6.95	2.50	6.82	2.52	
	-5.0	8.54	2.57	8.40	2.61	8.26	2.64	8.19	2.65	8.12	2.67	7.97	2.70	-5.0	8.58	2.53	8.43	2.57	8.28	2.59	8.21	2.61	8.14	2.62	8.00	2.66	
1.5+2.5+2.5+4.2	0.0	9.74	2.71	9.59	2.75	9.45	2.77	9.37	2.78	9.30	2.80	9.15	2.83	0.0	9.75	2.67	9.61	2.69	9.47	2.72	9.39	2.74	9.32	2.75	9.17	2.78	
	5.0	11.16	2.87	11.02	2.91	10.87	2.93	10.80	2.94	10.72	2.96	10.59	2.99	5.0	11.17	2.82	11.03	2.85	10.88	2.88	10.82	2.89	10.74	2.90	10.60	2.94	
	10.0	12.12	2.98	11.97	3.01	11.83	3.04	11.75	3.06	11.68	3.07	11.53	3.09	10.0	12.12	2.93	11.97	2.95	11.83	2.98	11.76	3.00	11.69	3.01	11.54	3.04	
	15.0	13.30	3.12	13.16	3.14	13.01	3.17	12.95	3.19	12.87	3.20	12.73	3.23	15.0	13.30	3.05	13.15	3.09	13.01	3.11	12.94	3.12	12.87	3.14	12.72	3.16	
	-15.0	6.21	2.28	6.07	2.31	5.92	2.34	5.85	2.35	5.78	2.37	5.63	2.39	-15.0	6.25	2.33	6.11	2.36	5.96	2.39	5.89	2.40	5.82	2.41	5.68	2.45	
1.5+2.5+3.5+4.2	-10.0	7.39	2.41	7.25	2.44	7.11	2.46	7.03	2.49	6.96	2.50	6.81	2.52	-10.0	7.41	2.46	7.27	2.49	7.13	2.53	7.05	2.54	6.98	2.55	6.84	2.58	
	-5.0	8.57	2.53	8.43	2.57	8.28	2.59	8.21	2.60	8.15	2.63	8.00	2.65	-5.0	8.58	2.60	8.44	2.63	8.30	2.65	8.23	2.66	8.16	2.69	8.01	2.71	
	0.0	9.76	2.66	9.61	2.70	9.47	2.72	9.39	2.74	9.32	2.75	9.17	2.78	0.0	9.75	2.73	9.61	2.77	9.46	2.79	9.39	2.80	9.32	2.82	9.18	2.85	
	5.0	11.17	2.82	11.03	2.86	10.88	2.88	10.81	2.89	10.74	2.90	10.60	2.94	5.0	11.16	2.89	11.01	2.93	10.87	2.95	10.80	2.97	10.73	2.98	10.58	3.02	
	10.0	12.12	2.93	11.97	2.95	11.83	2.99	11.75	3.00	11.68	3.01	11.54	3.03	10.0	12.09	3.00	11.94	3.03	11.81	3.07	11.74	3.08	11.67	3.09	11.52	3.12	
1.5+2.5+3.5+5.5	15.0	13.30	3.06	13.16	3.08	13.01	3.11	12.94	3.13	12.86	3.14	12.72	3.17	15.0	13.26	3.14	13.12	3.17	12.97	3.19	12.90	3.22	12.83	3.23	12.68	3.25	
	-15.0	6.17	2.31	6.02	2.35	5.87	2.37	5.80	2.38	5.72	2.40	5.59	2.43	-15.0	6.20	2.34	6.06	2.37	5.91	2.40	5.84	2.42	5.78	2.43	5.63	2.45	
	-10.0	7.35	2.45	7.20	2.48	7.07	2.51	6.99	2.52	6.92	2.53	6.77	2.57	-10.0	7.38	2.48	7.24	2.50	7.10	2.53	7.02	2.55	6.95	2.56	6.80	2.59	
	-5.0	8.55	2.58	8.40	2.62	8.25	2.64	8.18	2.65	8.11	2.66	7.96	2.70	-5.0	8.56	2.60	8.42	2.64	8.27	2.66	8.20	2.67	8.13	2.70	7.99	2.72	
	0.0	9.74	2.71	9.59	2.74	9.44	2.77	9.37	2.79	9.30	2.80	9.16	2.83	0.0	9.74	2.73	9.60	2.77	9.46	2.79	9.38	2.81	9.31	2.82	9.16	2.86	
2.0+2.0+2.0+2.0	5.0	11.17	2.87	11.02	2.91	10.87	2.93	10.80	2.94	10.73	2.96	10.58	2.99	5.0	11.16	2.89	11.02	2.93	10.87	2.95	10.80	2.96	10.72	2.98	10.58	3.01	
	10.0	12.12	2.98	11.97	3.01	11.83	3.04	11.75	3.06	11.68	3.07	11.54	3.10	10.0	12.10	3.00	11.95	3.03	11.82	3.06	11.74	3.07	11.67	3.09	11.52	3.11	
	15.0	13.31	3.11	13.16	3.14	13.02	3.17	12.95	3.19	12.88	3.20	12.73	3.24	15.0	13.28	3.14	13.14	3.16	12.99	3.18	12.92	3.21	12.84	3.22	12.71	3.25	
	-15.0	6.17	2.28	6.03	2.40	5.88	2.42	5.81	2.44	5.74	2.45	5.60	2.49	-15.0	6.21	2.30	6.07	2.32	5.92	2.36	5.85	2.37	5.78	2.38	5.63	2.41	
	-10.0	7.34	2.50	7.20	2.52	7.06	2.56	6.98	2.57	6.91	2.58	6.77	2.61	-10.0	7.39	2.43	7.24	2.45	7.11	2.48	7.03	2.50	6.96	2.51	6.81	2.54	
2.0+2.0+2.0+2.5	-5.0	8.52	2.63	8.37	2.66	8.23	2.68	8.16	2.71	8.09	2.72	7.94	2.75	-5.0	8.51	2.55	8.43	2.59	8.28	2.61	8.21	2.62	8.14	2.65	8.00	2.67	
	0.0	9.69	2.76	9.55	2.80	9.40	2.82	9.33	2.83	9.26	2.85	9.12	2.88	0.0	9.75	2.68	9.61	2.72	9.47	2.74	9.39	2.75	9.32	2.77	9.17	2.80	
	5.0	11.10	2.92	10.95	2.96	10.81	2.98	10.74	2.99	10.67	3.01	10.52	3.04	5.0	11.17	2.84	11.03	2.87	10.88	2.90	10.81	2.91	10.73	2.92	10.58	2.96	
	10.0	12.04	3.03	11.89	3.06	11.75	3.09	11.68	3.11	11.61	3.12	11.46	3.14	10.0	12.12	2.95	11.97	2.97	11.83	3.01	11.75	3.02	11.68	3.03	11.53	3.05	
	15.0	13.20	3.17	13.06	3.19	12.91	3.22	12.84	3.24	12.77	3.26	12.62	3.28	15.0	13.29	3.08	13.15	3.10	13.01	3.12	12.94	3.15	12.86	3.16	12.72	3.18	
2.0+2.0+2.5+3.5	-15.0	6.24	2.36	6.10	2.39	5.95	2.42	5.88	2.43	5.81	2.44	5.67	2.48	-15.0	6.21	2.34	6.06	2.37	5.91	2.40	5.84	2.41	5.77	2.42	5.63	2.46	
	-10.0	7.40	2.49	7.27	2.52	7.13	2.55	7.05	2.57	6.98	2.58	6.84	2.60	-10.0	7.38	2.47	7.23	2.51	7.10	2.53	7.02	2.54	6.95	2.55	6.80	2.59	
	-5.0	8.58	2.63	8.43	2.65	8.28	2.68	8.22	2.70	8.15	2.71	8.00	2.74	-5.0	8.56	2.60	8.42	2.64	8.27	2.66	8.20	2.68	8.13	2.69	7.99	2.72	
	0.0	9.75	2.75	9.61	2.79	9.46	2.81	9.39	2.83	9.32	2.84	9.18	2.88	0.0	9.74	2.74	9.60	2.76	9.45	2.80	9.38	2.81	9.31	2.82	9.17	2.86	
	5.0	11.15	2.91	11.00	2.95	10.86	2.97	10.79	2.99	10.72	3.00	10.57	3.04	5.0	11.16	2.89	11.02	2.93	10.87	2.95	10.80	2.96	10.72	2.98	10.58	3.01	
2.0+2.0+2.5+3.5	10.0	12.09	3.02	11.94	3.05	11.80	3.09	11.73	3.10	11.66	3.11	11.51	3.13	10.0	12.10	3.00	11.95	3.02	11.82	3.06	11.74	3.07	11.67	3.09	11.52	3.12	
	15.0	13.25	3.18	13.12	3.18	12.97	3.21	12.90	3.23	12.83	3.25	12.68	3.27	15.0	13.28	3.13	13.14	3.16	12.99	3.19	12.92	3.21	12.85	3.22	12.71	3.25	
	-15.0	6.19	2.30	6.05	2.34	5.90	2.37	5.83	2.38	5.75	2.40	5.62	2.44	-15.0	6.23	2.31	6.11	2.35	5.96	2.37	5.89	2.39	5.82	2.40	5.68	2.44	
	-10.0	7.38	2.49	7.23	2.52	7.09	2.54	7.01	2.57	6.94	2.58	6.79	2.61	-10.0	7.42	2.45	7.28	2.47	7.14	2.51	7.06	2.52	6.99	2.53	6.85	2.56	
	-5.0	8.55	2.62	8.41	2.65	8.27	2.68	8.20	2.69	8.13	2.72	7.98	2.74	-5.0	8.56	2.58	8.44	2.61	8.30	2.63	8.23	2.66	8.16	2.67	8.01	2.70	
2.0+2.5+2.5+3.5	0.0	9.74	2.75	9.59	2.79	9.45	2.81	9.37	2.83	9.30	2.84	9.15	2.88	0.0	9.76	2.71	9.62	2.75	9.47	2.77	9.40	2.78	9.33	2.80	9.19	2.83	
	5.0	11.15	2.91	11.01	2.95	10.86	2.97	10.79	2.99	10.71	3.00	10.56	3.04	5.0	11.16	2.87	11.01	2.91	10.87	2.93	10.80	2.94	10.73	2.			

4 Capacity tables

4 - 2 Heating Capacity Tables

4

5MWXM68A9

Notes

1. The capacities are based on the following conditions:
Corresponding refrigerant piping length:
·5· m Level difference: ·0·m
2. The bold cells indicate the standard conditions.
3. The values above are for connecting with the following indoor unit types:
·1.5, 2.0, 2.5, 3.5, 4.2, 5.0, 6.0· kW class
Wall-mounted ·CTXA-AW, CTXA-BB, CTXA-BS, CTXA-BT, CTXA-CW, CTXA-CB, CTXA-CS, CTXM-R, CTXM-A, FTXA-AW, FTXA-BB, FTXA-BS, FTXA-BT, FTXA-CW, FTXA-CB, FTXA-CS, FTXM-R, FTXM-A, FTXJ-AB, FTXJ-AS, FTXJ-AW, FTXJ-AB9, FTXJ-AS9, FTXJ-AW9· series

4D155719

5MWXM68A9

Heating 50Hz 230V

①	②	Indoor air temperature (°C DB)														
		16°C		18°C		20°C		21°C		22°C		24°C				
		TC	PI	TC	PI	TC	PI	TC	PI	TC	PI	TC	PI			
1.5	-15.0	2.59	1.01	2.54	1.02	2.39	1.03	2.47	1.03	2.25	1.04	2.40	1.05			
		2.97	1.05	2.92	1.05	2.87	1.05	2.85	1.06	2.83	1.07	2.78	1.08			
		-5.0	3.34	1.08	3.30	1.09	3.25	1.10	3.23	1.10	3.20	1.11	3.16	1.12		
		0.0	3.72	1.12	3.67	1.13	3.63	1.14	3.60	1.15	3.58	1.15	3.54	1.16		
		6.0	4.17	1.17	4.13	1.18	4.08	1.19	4.06	1.19	4.03	1.20	3.99	1.21		
		10.0	4.47	1.20	4.43	1.21	4.38	1.22	4.36	1.23	4.34	1.23	4.29	1.24		
	2.0	4.85	1.25	4.80	1.25	4.76	1.26	4.74	1.27	4.71	1.27	4.67	1.28			
		-15.0	2.80	0.98	2.55	0.99	2.51	1.00	2.48	1.01	2.46	1.01	2.41	1.02		
		-10.0	2.98	1.03	2.93	1.04	2.88	1.05	2.86	1.05	2.84	1.05	2.79	1.06		
		-5.0	3.35	1.07	3.31	1.08	3.26	1.09	3.24	1.10	3.21	1.10	3.17	1.11		
		0.0	3.73	1.12	3.68	1.13	3.64	1.14	3.61	1.15	3.59	1.15	3.55	1.16		
		6.0	4.18	1.18	4.14	1.19	4.09	1.19	4.07	1.20	4.04	1.20	4.00	1.21		
2.5	-15.0	4.48	1.21	4.44	1.22	4.39	1.23	4.37	1.23	4.35	1.24	4.30	1.25			
		4.86	1.26	4.81	1.27	4.77	1.28	4.75	1.28	4.72	1.29	4.68	1.30			
		-15.0	2.81	1.03	2.76	1.04	2.72	1.05	2.69	1.06	2.67	1.06	2.62	1.07		
		-10.0	3.19	1.08	3.14	1.09	3.09	1.10	3.07	1.11	3.05	1.11	3.00	1.12		
		-5.0	3.56	1.12	3.52	1.13	3.47	1.14	3.45	1.15	3.42	1.15	3.38	1.16		
		0.0	3.94	1.17	3.89	1.18	3.85	1.19	3.82	1.20	3.80	1.20	3.76	1.21		
	3.5	4.39	1.22	4.35	1.23	4.30	1.24	4.28	1.25	4.25	1.25	4.21	1.26			
		10.0	4.68	1.26	4.64	1.27	4.59	1.28	4.57	1.28	4.55	1.29	4.50	1.30		
		15.0	5.06	1.31	5.01	1.31	4.97	1.32	4.95	1.32	4.92	1.33	4.88	1.34		
		-15.0	2.91	1.36	2.86	1.37	2.82	1.39	2.79	1.40	2.77	1.40	2.72	1.42		
		-10.0	3.29	1.43	3.24	1.43	3.19	1.45	3.17	1.46	3.15	1.46	3.10	1.48		
		-5.0	3.64	1.49	3.77	1.50	3.70	1.52	3.67	1.53	3.64	1.53	3.57	1.55		
4.2	-15.0	4.38	1.56	4.31	1.57	4.25	1.59	4.21	1.59	4.18	1.60	4.11	1.62			
		5.03	1.63	4.97	1.64	4.90	1.66	4.87	1.67	4.83	1.68	4.77	1.69			
		10.0	5.47	1.69	5.40	1.70	5.34	1.72	5.30	1.72	5.27	1.73	5.20	1.75		
		15.0	6.01	1.75	5.95	1.77	5.88	1.78	5.85	1.79	5.81	1.80	5.75	1.81		
		-15.0	2.91	1.36	2.86	1.37	2.82	1.39	2.79	1.40	2.77	1.40	2.72	1.42		
		-10.0	4.09	2.29	4.02	2.30	3.96	2.33	3.93	2.34	3.89	2.34	3.83	2.37		
	5.0	4.64	2.43	4.57	2.39	4.50	2.42	4.47	2.43	4.44	2.43	4.37	2.46			
		0.0	5.18	2.47	5.11	2.48	5.05	2.51	5.01	2.51	4.98	2.52	4.91	2.55		
		6.0	5.83	2.57	5.77	2.59	5.70	2.61	5.67	2.63	5.63	2.64	5.57	2.65		
		10.0	6.27	2.65	6.20	2.66	6.14	2.69	6.10	2.69	6.07	2.70	6.00	2.73		
		15.0	6.81	2.73	6.75	2.75	6.68	2.77	6.65	2.78	6.61	2.79	6.55	2.80		
		-15.0	3.87	2.48	3.77	2.50	3.68	2.53	3.63	2.54	3.59	2.56	3.49	2.58		
6.0	-15.0	4.63	2.60	4.54	2.63	4.45	2.65	4.40	2.67	4.35	2.68	4.26	2.71			
		5.40	2.73	5.31	2.75	5.21	2.78	5.17	2.80	5.12	2.81	5.03	2.83			
		6.0	6.17	2.86	6.07	2.88	5.98	2.90	5.93	2.91	5.89	2.94	5.79	2.96		
		10.0	7.06	3.00	6.99	3.03	6.90	3.06	6.85	3.07	6.81	3.08	6.71	3.12		
		10.0	7.70	3.10	7.61	3.13	7.51	3.16	7.44	3.17	7.38	3.19	7.29	3.22		
		15.0	8.33	3.12	8.23	3.15	8.13	3.19	8.04	3.22	7.96	3.21	7.86	3.24		
	6.0	15.0	6.34	3.16	6.26	3.19	6.18	3.22	6.14	3.23	6.10	3.25	6.02	3.28		
		-10.0	6.99	3.29	6.91	3.32	6.83	3.35	6.79	3.36	6.75	3.38	6.67	3.41		
		-5.0	7.64	3.42	7.56	3.45	7.48	3.49	7.44	3.51	7.40	3.52	7.32	3.55		
		0.0	8.29	3.55	8.21	3.59	8.13	3.62	8.08	3.64	8.05	3.65	7.97	3.68		
		6.0	9.07	3.72	8.99	3.75	8.91	3.78	8.87	3.79	8.83	3.81	8.75	3.84		
		10.0	9.59	3.82	9.51	3.85	9.43	3.88	9.38	3.89	9.32	3.92	9.27	3.95		
15.0	10.24	3.82	10.03	3.86	9.98	3.89	9.90	3.92	9.84	3.95	9.80	3.98				

①	②	Indoor air temperature (°C DB)														
		16°C		18°C		20°C		21°C		22°C		24°C				
		TC	PI	TC	PI	TC	PI	TC	PI	TC	PI	TC	PI			
1.5+1.5	-15.0	3.74	1.33	3.64	1.36	3.54	1.38	3.49	1.39	3.44	1.40	3.35	1.42			
		-10.0	4.55	1.63	4.45	1.65	4.35	1.68	4.31	1.69	4.25	1.70	4.16	1.72		
		-5.0	5.36	1.74	5.27	1.76	5.16	1.79	5.12	1.80	5.07	1.81	4.97	1.83		
		0.0	6.18	1.84	6.08	1.86	5.98	1.88	5.93	1.90	5.88	1.91	5.78	1.93		
		6.0	7.15	1.96	7.06	1.98	6.96	2.00	6.91	2.02	6.85	2.03	6.76	2.05		
		10.0	7.80	2.04	7.71	2.06	7.61	2.08	7.56	2.09	7.50	2.10	7.41	2.13		
	2.0	8.61	2.15	8.52	2.17	8.42	2.19	8.37	2.20	8.32	2.21	8.22	2.23			
		-15.0	3.90	1.57	3.80	1.59	3.71	1.61	3.66	1.62	3.61	1.63	3.52	1.65		
		-10.0	4.67	1.66	4.57	1.68	4.48	1.70	4.44	1.71	4.38	1.72	4.29	1.74		
		-5.0	5.44	1.76	5.35	1.78	5.25	1.80	5.21	1.81	5.16	1.82	5.06	1.84		
		0.0	6.22	1.85	6.12	1.87	6.02	1.89	5.98	1.90	5.93	1.91	5.84	1.93		
		6.0	7.14	1.96	7.05	1.98	6.96	2.00	6.91	2.01	6.86	2.02	6.77	2.04		
1.5+2.0	-15.0	7.76	2.03	7.67	2.05	7.57	2.08	7.53	2.09	7.48	2.10	7.39	2.12			
		15.0	8.33	2.14	8.44	2.16	8.34	2.18	8.30	2.19	8.26	2.20	8.16	2.22		
		-15.0	4.54	2.39	4.43	2.42	4.33	2.45	4.27	2.46	4.22	2.48	4.12	2.51		
		-10.0	5.40	2.52	5.29	2.55	5.19	2.58	5.14	2.60	5.08	2.61	4.98	2.64		
		-5.0	6.26	2.67	6.16	2.70	6.05	2.73	6.00	2.74	5.95	2.76	5.84	2.79		
		0.0	7.13	2.80	7.02	2.83	6.91	2.86	6.86	2.88	6.81	2.89	6.70	2.92		
	2.5	8.16	2.96	8.06	2.99	7.95	3.02	7.90	3.04	7.84	3.05	7.74	3.08			
		10.0	8.85	3.07	8.75	3.10	8.64	3.12	8.59	3.14	8.53	3.15	8.43	3.18		
		15.0	9.70	3.21	9.60	3.24	9.49	3.27	9.44	3.29	9.39	3.30	9.28	3.33		
		-15.0	4.78	2.54	4.68	2.57	4.54	2.60	4.49	2.63	4.43	2.64	4.31	2.67		
		-10.0	5.72	2.68	5.60	2.72	5.49	2.75	5.43	2.76	5.37	2.79	5.26	2.82		
		-5.0	6.66	2.83	6.54	2.87	6.43	2.90	6.37	2.92	6.31	2.93	6.20	2.97		
1.5+3.5	-15.0	7.60	2.98	7.49	3.03	7.37	3.05	7.31	3.07	7.25	3.08	7.14	3.12			
		6.0	8.73	3.16	8.62	3.20	8.50	3.23	8.44	3.25	8.38	3.26	8.27	3.30		
		10.0	9.48	3.29	9.37	3.31	9.25	3.36	9.20	3.37	9.14	3.38	9.02	3.41		
		15.0	10.43	3.44	10.31	3.47	10.20	3.51	10.14	3.52	10.08	3.53	9.91	3.55		
		-15.0	5.13	2.63	5.01	2.65	4.89	2.68	4.84	2.70	4.78	2.72	4.66	2.74		
		-10.0	6.07	2.75	5.95	2.79	5.84	2.82	5.78	2.83	5.72	2.86	5.61	2.88		
	4.2	7.01	2.89	6.89	2.93	6.78	2.96	6.72	2.97	6.66	2.98	6.55	3.02			
		0.0	7.95	3.03	7.84	3.07	7.72	3.10	7.66	3.11	7.60	3.12	7.49	3.16		
		6.0	9.08	3.20	8.97	3.24	8.85	3.26	8.79	3.28	8.73	3.29	8.62	3.33		
		10.0	9.83	3.31	9.72	3.34	9.60	3.38	9.53	3.39	9.49	3.40	9.37	3.43		
		15.0	10.78	3.45	10.66	3.48	10.55	3.52	10.49	3.53	10.43	3.54	10.26	3.55		
		-15.0	6.85	2.95	6.71	2.99	6.57	3.03	6.50	3.04	6.43	3.07	6.29	3.09		
1.5+5.0	-15.0	6.99	3.12	6.85												

4 Capacity tables

4 - 2 Heating Capacity Tables

5MWXM68A9

Heating: 50Hz 230V

①	②	Indoor air temperature [°C DB]																																																			
		16°C			18°C			20°C			21°C			22°C			24°C																																				
		TC	PI	IC	TC	PI	IC	TC	PI	IC	TC	PI	IC	TC	PI	IC	TC	PI	IC																																		
2.0+2.0	-15.0	4.54	2.48	4.43	2.52	4.33	2.55	4.27	2.56	4.22	2.58	4.12	2.60	4.50	2.46	4.39	2.53	4.30	2.54	4.24	2.57	4.18	2.59	4.46	2.44	4.35	2.51	4.26	2.53	4.22	2.54	4.18	2.55	4.42	2.42	4.32	2.49	4.22	2.51	4.18	2.51	4.14	2.52	4.38	2.40	4.28	2.47	4.18	2.49	4.14	2.47	4.10	2.49

①	②	Indoor air temperature [°C DB]																																																					
		16°C			18°C			20°C			21°C			22°C			24°C																																						
		TC	PI	IC	TC	PI	IC	TC	PI	IC	TC	PI	IC	TC	PI	IC	TC	PI	IC																																				
2.5+3.5	-15.0	5.31	2.77	5.19	2.80	5.07	2.80	5.02	2.83	5.02	2.85	4.96	2.88	4.84	2.89	5.25	2.75	5.13	2.78	5.01	2.79	4.96	2.81	4.92	2.82	5.21	2.73	5.11	2.76	4.99	2.77	4.94	2.79	4.90	2.81	5.17	2.71	5.07	2.74	4.95	2.75	4.92	2.77	4.88	2.79	5.13	2.69	5.03	2.72	4.91	2.73	4.88	2.75	4.84	2.77

Symbols
 TC: Total capacity [kW]
 PI: Power input [kW]
 IC: Indoor unit combinations
 © Outdoor air temperature [°C WB]

4D155719

5MWXM68A9

Heating: 50Hz 230V

①	②	Indoor air temperature [°C DB]																																																			
		16°C			18°C			20°C			21°C			22°C			24°C																																				
		TC	PI	IC	TC	PI	IC	TC	PI	IC	TC	PI	IC	TC	PI	IC	TC	PI	IC																																		
3.5+6.0	-15.0	6.07	2.74	5.93	2.78	5.79	2.82	5.72	2.85	5.66	2.86	5.51	2.90	6.00	2.72	5.91	2.76	5.72	2.80	5.65	2.82	5.59	2.84	5.96	2.70	5.88	2.74	5.69	2.78	5.62	2.80	5.54	2.82	5.92	2.68	5.84	2.72	5.65	2.76	5.58	2.78	5.51	2.80	5.88	2.66	5.80	2.70	5.61	2.74	5.54	2.76	5.47	2.78

①	②	Indoor air temperature [°C DB]																																																			
		16°C			18°C			20°C			21°C			22°C			24°C																																				
		TC	PI	IC	TC	PI	IC	TC	PI	IC	TC	PI	IC	TC	PI	IC	TC	PI	IC																																		
1.5+1+2.0	-15.0	5.62	2.46	5.48	2.52	5.34	2.55	5.27	2.58	5.20	2.59	5.06	2.62	5.56	2.44	5.38	2.48	5.24	2.49	5.17	2.52	5.10	2.54	5.50	2.42	5.32	2.46	5.18	2.47	5.11	2.50	5.04	2.52	5.44	2.40	5.26	2.44	5.12	2.45	5.05	2.48	4.98	2.50	5.38	2.38	5.20	2.42	5.06	2.43	4.99	2.46	4.92	2.48

Symbols
 TC: Total capacity [kW]
 PI: Power input [kW]
 IC: Indoor unit combinations
 © Outdoor air temperature [°C WB]

4D155719

4 Capacity tables

4 - 2 Heating Capacity Tables

5MWXM68A9

Heating: 50Hz 230V

①	②	Indoor air temperature (°C DB)																																					
		16°C			18°C			20°C			21°C			22°C			24°C																						
		TC	PI	IC	TC	PI	IC	TC	PI	IC	TC	PI	IC	TC	PI	IC	TC	PI	IC																				
1.5+2.0+2.5	-15.0	5.88	2.57	5.74	2.61	5.60	2.63	5.53	2.66	5.46	2.67	5.37	2.70	-10.0	7.01	2.73	6.87	2.75	6.73	2.78	6.66	2.81	6.59	2.82	6.45	2.85	-5.0	8.14	2.87	8.00	2.90	7.87	2.94	7.80	2.95	7.73	2.97	7.59	2.99

①	②	Indoor air temperature (°C DB)																																					
		16°C			18°C			20°C			21°C			22°C			24°C																						
		TC	PI	IC	TC	PI	IC	TC	PI	IC	TC	PI	IC	TC	PI	IC	TC	PI	IC																				
1.5+2.5+4.2	-15.0	6.02	2.53	5.87	2.56	5.73	2.59	5.66	2.60	5.59	2.63	5.45	2.65	-10.0	7.17	2.68	7.03	2.70	6.89	2.74	6.82	2.75	6.75	2.78	6.60	2.80	-5.0	8.32	2.83	8.18	2.85	8.04	2.89	7.97	2.90	7.90	2.93	7.76	2.95

Symbols
 TC: Total capacity [kW]
 PI: Power input [kW]
 IC: Indoor unit combinations
 ◎: Outdoor air temperature [°C WB]

4D155719

5MWXM68A9

Heating: 50Hz 230V

①	②	Indoor air temperature (°C DB)																																					
		16°C			18°C			20°C			21°C			22°C			24°C																						
		TC	PI	IC	TC	PI	IC	TC	PI	IC	TC	PI	IC	TC	PI	IC	TC	PI	IC																				
1.5+4.2+4.2	-15.0	6.06	2.47	5.91	2.51	5.77	2.53	5.70	2.55	5.63	2.57	5.49	2.59	-10.0	7.23	2.62	7.08	2.64	6.94	2.66	6.87	2.68	6.80	2.71	6.65	2.73	-5.0	8.39	2.76	8.25	2.80	8.11	2.82	8.04	2.85	7.97	2.86	7.82	2.88

①	②	Indoor air temperature (°C DB)																																					
		16°C			18°C			20°C			21°C			22°C			24°C																						
		TC	PI	IC	TC	PI	IC	TC	PI	IC	TC	PI	IC	TC	PI	IC	TC	PI	IC																				
2.0+2.0+6.0	-15.0	6.22	2.41	6.08	2.44	5.94	2.46	5.87	2.50	5.79	2.51	5.69	2.55	-10.0	7.38	2.57	7.24	2.59	7.09	2.64	7.02	2.65	6.96	2.67	6.81	2.70	-5.0	8.53	2.72	8.40	2.76	8.26	2.79	8.18	2.81	8.11	2.83	7.97	2.86

Symbols
 TC: Total capacity [kW]
 PI: Power input [kW]
 IC: Indoor unit combinations
 ◎: Outdoor air temperature [°C WB]

4D155719

4 Capacity tables

4 - 2 Heating Capacity Tables

5MWXM68A9

Heating 50Hz 230V

①	②	Indoor air temperature (°C DB)															
		16°C			18°C			20°C			21°C			22°C		24°C	
		TC	PI	IC	TC	PI	IC	TC	PI	IC	TC	PI	IC	TC	PI	TC	PI
2.0x3.5+4.2	-15.0	6.13	2.58	5.98	2.62	5.84	2.65	5.77	2.67	5.70	2.68	5.68	2.72	-	-	-	-
	-10.0	7.30	2.73	7.15	2.77	7.01	2.79	6.94	2.82	6.87	2.83	6.72	2.86	-	-	-	-
	-5.0	8.45	2.88	8.31	2.91	8.18	2.94	8.11	2.96	8.04	2.97	7.89	3.01	-	-	-	-
	0.0	9.62	3.02	9.48	3.06	9.34	3.09	9.27	3.11	9.19	3.12	9.05	3.16	-	-	-	-
	5.0	11.01	3.23	10.88	3.23	10.74	3.22	10.62	3.23	10.50	3.20	10.45	3.22	-	-	-	-
	10.0	11.96	3.31	11.82	3.35	11.67	3.39	11.50	3.40	11.33	3.41	11.39	3.45	-	-	-	-
	15.0	13.13	3.46	12.99	3.49	12.84	3.53	12.77	3.54	12.70	3.56	12.53	3.59	-	-	-	-
	-10.0	6.15	2.54	6.00	2.57	5.86	2.60	5.79	2.61	5.72	2.63	5.58	2.67	-	-	-	-
	-10.0	7.32	2.68	7.17	2.71	7.03	2.75	6.96	2.76	6.88	2.77	6.85	2.80	-	-	-	-
	-5.0	8.48	2.83	8.34	2.86	8.20	2.88	8.13	2.91	8.06	2.92	7.91	2.95	-	-	-	-
0.0	9.68	2.96	9.51	3.00	9.37	3.03	9.30	3.04	9.23	3.06	9.08	3.09	-	-	-	-	
5.0	11.05	3.13	10.92	3.17	10.77	3.20	10.70	3.21	10.63	3.23	10.49	3.27	-	-	-	-	
10.0	11.99	3.26	11.88	3.28	11.70	3.31	11.63	3.33	11.57	3.35	11.42	3.38	-	-	-	-	
15.0	13.17	3.39	13.02	3.43	12.88	3.46	12.81	3.47	12.73	3.48	12.59	3.52	-	-	-	-	
-15.0	6.15	2.52	6.00	2.55	5.86	2.58	5.79	2.60	5.72	2.61	5.58	2.65	-	-	-	-	
-10.0	7.32	2.66	7.17	2.69	7.03	2.72	6.96	2.74	6.89	2.75	6.74	2.79	-	-	-	-	
-5.0	8.48	2.80	8.34	2.84	8.20	2.86	8.13	2.88	8.06	2.89	7.91	2.93	-	-	-	-	
0.0	9.65	2.94	9.51	2.98	9.37	3.01	9.30	3.02	9.22	3.04	9.05	3.07	-	-	-	-	
5.0	11.06	3.12	10.91	3.14	10.77	3.18	10.70	3.19	10.63	3.21	10.48	3.24	-	-	-	-	
10.0	11.99	3.23	11.88	3.26	11.70	3.30	11.63	3.31	11.56	3.32	11.42	3.36	-	-	-	-	
15.0	13.17	3.37	13.03	3.40	12.88	3.44	12.81	3.45	12.74	3.46	12.57	3.50	-	-	-	-	
-15.0	6.17	2.65	6.03	2.69	5.89	2.72	5.82	2.74	5.75	2.75	5.61	2.78	-	-	-	-	
-10.0	7.30	2.80	7.16	2.83	7.02	2.85	6.95	2.86	6.88	2.89	6.74	2.92	-	-	-	-	
-5.0	8.43	2.94	8.29	2.97	8.16	3.00	8.08	3.02	8.02	3.03	7.86	3.05	-	-	-	-	
0.0	9.57	3.08	9.43	3.10	9.28	3.14	9.22	3.15	9.15	3.17	9.01	3.20	-	-	-	-	
5.0	11.03	3.24	10.79	3.28	10.65	3.30	10.58	3.32	10.51	3.33	10.37	3.37	-	-	-	-	
10.0	11.83	3.35	11.70	3.38	11.56	3.42	11.49	3.43	11.42	3.44	11.28	3.48	-	-	-	-	
15.0	12.97	3.49	12.83	3.53	12.68	3.56	12.62	3.57	12.55	3.58	12.41	3.62	-	-	-	-	
-15.0	6.22	2.65	6.07	2.69	5.93	2.71	5.86	2.72	5.79	2.75	5.66	2.77	-	-	-	-	
-10.0	7.35	2.80	7.21	2.82	7.07	2.86	7.01	2.87	6.94	2.89	6.79	2.92	-	-	-	-	
-5.0	8.48	2.94	8.35	2.97	8.21	3.00	8.14	3.02	8.07	3.04	7.93	3.07	-	-	-	-	
0.0	9.63	3.09	9.49	3.11	9.35	3.15	9.27	3.16	9.20	3.18	9.06	3.21	-	-	-	-	
5.0	11.09	3.26	10.85	3.29	10.71	3.32	10.64	3.33	10.57	3.36	10.43	3.38	-	-	-	-	
10.0	11.90	3.37	11.75	3.41	11.62	3.43	11.55	3.46	11.48	3.47	11.34	3.51	-	-	-	-	
15.0	13.04	3.52	12.90	3.55	12.76	3.58	12.69	3.60	12.62	3.62	12.48	3.65	-	-	-	-	
-15.0	6.25	2.68	6.10	2.72	5.96	2.74	5.89	2.75	5.82	2.67	5.68	2.70	-	-	-	-	
-10.0	7.38	2.77	7.25	2.79	7.11	2.78	7.04	2.79	6.97	2.82	6.82	2.84	-	-	-	-	
-5.0	8.52	2.86	8.38	2.89	8.24	2.92	8.18	2.94	8.11	2.96	7.97	2.98	-	-	-	-	
0.0	9.67	3.01	9.53	3.03	9.39	3.07	9.31	3.08	9.24	3.09	9.11	3.13	-	-	-	-	
5.0	11.03	3.17	10.88	3.20	10.76	3.23	10.69	3.25	10.62	3.27	10.48	3.29	-	-	-	-	
10.0	11.95	3.28	11.80	3.32	11.67	3.34	11.60	3.36	11.53	3.38	11.39	3.41	-	-	-	-	
15.0	13.09	3.42	12.95	3.46	12.81	3.50	12.74	3.51	12.67	3.52	12.54	3.56	-	-	-	-	
-15.0	6.26	2.70	6.11	2.72	5.97	2.74	5.90	2.75	5.83	2.77	5.69	2.79	-	-	-	-	
-10.0	7.40	2.84	7.25	2.87	7.12	2.71	7.05	2.72	6.98	2.73	6.83	2.77	-	-	-	-	
-5.0	8.53	2.93	8.38	2.96	8.25	2.91	8.18	2.94	8.11	2.95	7.96	2.98	-	-	-	-	
0.0	9.67	3.03	9.52	3.05	9.42	3.09	9.31	3.01	9.24	3.03	9.09	3.06	-	-	-	-	
5.0	11.07	3.10	10.93	3.14	10.79	3.17	10.72	3.18	10.64	3.21	10.50	3.24	-	-	-	-	
10.0	12.01	3.23	11.87	3.25	11.72	3.29	11.65	3.30	11.58	3.32	11.44	3.36	-	-	-	-	
15.0	13.19	3.37	13.04	3.40	12.90	3.44	12.83	3.45	12.76	3.46	12.62	3.50	-	-	-	-	
-15.0	6.27	2.60	6.12	2.54	5.98	2.56	5.91	2.58	5.84	2.59	5.71	2.63	-	-	-	-	
-10.0	7.41	2.64	7.27	2.67	7.13	2.70	7.06	2.72	6.99	2.73	6.84	2.77	-	-	-	-	
-5.0	8.55	2.79	8.41	2.81	8.26	2.84	8.21	2.86	8.14	2.87	7.99	2.91	-	-	-	-	
0.0	9.70	2.92	9.56	2.95	9.42	2.99	9.35	3.00	9.28	3.01	9.14	3.05	-	-	-	-	
5.0	11.08	3.09	10.93	3.12	10.79	3.15	10.73	3.16	10.66	3.19	10.51	3.21	-	-	-	-	
10.0	11.99	3.20	11.85	3.23	11.71	3.27	11.64	3.28	11.57	3.29	11.43	3.33	-	-	-	-	
15.0	13.14	3.34	13.00	3.37	12.85	3.41	12.79	3.42	12.72	3.43	12.58	3.47	-	-	-	-	
-15.0	6.11	2.63	5.97	2.67	5.83	2.70	5.76	2.71	5.68	2.72	5.55	2.76	-	-	-	-	
-10.0	7.27	2.79	7.14	2.81	6.99	2.83	6.92	2.85	6.85	2.86	6.71	2.82	-	-	-	-	
-5.0	8.43	2.93	8.30	2.96	8.15	3.00	8.09	3.01	8.01	3.02	7.87	3.06	-	-	-	-	
0.0	9.60	3.08	9.44	3.11	9.32	3.14	9.25	3.16	9.17	3.18	9.03	3.20	-	-	-	-	
5.0	11.09	3.26	10.86	3.29	10.71	3.32	10.64	3.33	10.56	3.36	10.43	3.38	-	-	-	-	
10.0	11.92	3.38	11.79	3.41	11.64	3.44	11.57	3.45	11.49	3.48	11.36	3.50	-	-	-	-	
15.0	13.08	3.52	12.95	3.56	12.80	3.58	12.74	3.61	12.66	3.62	12.52	3.66	-	-	-	-	
-15.0	6.43	2.21	6.28	2.25	6.13	2.28	6.04	2.31	5.94	2.33	5.80	2.38	-	-	-	-	
-10.0	7.60	2.27	7.45	2.30	7.30	2.33	7.20	2.35	7.10	2.37	6.94	2.41	-	-	-	-	
-5.0	8.76	2.39	8.61	2.42	8.46	2.45	8.36	2.47	8.26	2.49	8.10	2.51	-	-	-	-	
0.0	9.95	2.52	9.80	2.55	9.65	2.58	9.59	2.60	9.52	2.61	9.36	2.65	-	-	-	-	
5.0	11.36	2.69	11.21	2.73	11.07	2.76	11.00	2.77	10.93	2.78	10.76	2.82	-	-	-	-	
10.0	11.30	2.81	11.15	2.83	11.01	2.87	10.94	2.89	10.87	2.90	10.72	2.93	-	-	-	-	
15.0	12.47	2.95	12.33	2.98	12.19	3.00	12.11	3.03	12.04	3.04	11.89	3.07	-	-	-	-	

Symbols
TC: Total capacity (kW)
PI: Power input (kW)
IC: Indoor unit combinations
OC: Outdoor air temperature (°C WB)

①	②	Indoor air temperature (°C DB)															
		16°C			18°C			20°C			21°C			22°C		24°C	
		TC	PI	IC	TC	PI	IC	TC	PI	IC	TC	PI	IC	TC	PI	TC	PI
2.5x2.5+6.0	-15.0	6.28	2.36	6.15	2.39	6.01	2.43	5.94	2.45	5.86	2.46	5.73	2.50	-	-	-	-
	-10.0	7.44	2.52	7.30	2.55	7.15	2.59	7.08	2.60	7.02	2.62	6.87	2.65	-	-	-	-
	-5.0	8.58	2.67	8.44	2.71	8.31	2.74	8.23	2.76	8.16	2.78	8.02	2.81	-	-	-	-
	0.0	9.73	2.83	9.59	2.86	9.45	2.89	9.38	2.91	9.31	2.93	9.16	2.97	-	-	-	-
	5.0	11.11	3.02	10.96	3.04	10.83	3.06	10.76	3.09	10.69	3.12	10.54	3.14	-	-	-	-
	10.0	12.03	3.13	11.88	3.17	11.74	3.21	11.68	3.22	11.61	3.23	11.46	3.27	-	-	-	-
	15.0	13.17	3.29	13.03	3.32	12.89	3.36	12.82	3.37	12.75	3.40	12.61	3.42	-	-	-	-
	-15.0	6.21	2.64	6.07	2.67	5.93	2.70	5.86	2.72	5.79	2.74	5.66	2.77	-	-	-	-

4 Capacity tables

4 - 2 Heating Capacity Tables

4

5MWXM68A9

Heating 50Hz 230V

①	②	Indoor air temperature [°C DB]														
		16°C			18°C			20°C			22°C			24°C		
		TC	PI	TI	TC	PI	TI	TC	PI	TI	TC	PI	TI	TC	PI	TI
1.5+1.5+2.0+4.2	-15.0	5.92	2.21	5.78	2.24	5.63	2.27	5.56	2.29	5.49	2.30	5.34	2.32			
	-10.0	7.12	2.35	6.97	2.37	6.83	2.40	6.75	2.42	6.68	2.44	6.53	2.46			
	-5.0	8.31	2.47	8.17	2.51	8.02	2.54	7.95	2.55	7.88	2.57	7.73	2.60			
	0.0	9.51	2.61	9.36	2.65	9.22	2.67	9.14	2.69	9.07	2.70	8.92	2.74			
	10.0	10.74	2.77	10.60	2.81	10.46	2.84	10.37	2.85	10.30	2.86	10.26	2.90			
	10.0	11.90	2.89	11.75	2.91	11.61	2.95	11.53	2.96	11.46	2.97	11.31	3.00			
	15.0	13.09	3.02	12.95	3.05	12.82	3.07	12.73	3.10	12.65	3.11	12.51	3.14			
	-15.0	6.13	2.22	5.99	2.25	5.84	2.29	5.83	2.30	5.69	2.31	5.55	2.34			
	-10.0	7.34	2.36	7.19	2.39	7.04	2.42	6.97	2.44	6.89	2.45	6.75	2.48			
	-5.0	8.54	2.49	8.39	2.53	8.24	2.56	8.17	2.57	8.10	2.59	7.95	2.62			

①	②	Indoor air temperature [°C DB]														
		16°C			18°C			20°C			22°C			24°C		
		TC	PI	TI	TC	PI	TI	TC	PI	TI	TC	PI	TI	TC	PI	TI
1.5+2.0+2.0+4.2	-15.0	6.11	2.29	5.97	2.31	5.82	2.35	5.75	2.36	5.68	2.37	5.53	2.40			
	-10.0	7.31	2.42	7.16	2.45	7.02	2.47	6.94	2.50	6.87	2.51	6.72	2.53			
	-5.0	8.50	2.55	8.36	2.58	8.21	2.61	8.14	2.62	8.07	2.65	7.92	2.67			
	0.0	9.70	2.68	9.55	2.72	9.41	2.74	9.33	2.76	9.26	2.77	9.11	2.81			
	6.0	11.13	2.84	10.99	2.88	10.84	2.91	10.77	2.92	10.69	2.93	10.55	2.97			
	10.0	12.09	2.95	11.94	2.98	11.80	3.02	11.72	3.03	11.65	3.04	11.50	3.07			
	15.0	13.28	3.09	13.14	3.12	12.99	3.14	12.92	3.17	12.84	3.18	12.70	3.20			
	-15.0	6.13	2.25	5.99	2.29	5.84	2.32	5.83	2.33	5.69	2.34	5.55	2.38			
	-10.0	7.34	2.39	7.19	2.42	7.04	2.46	6.97	2.47	6.89	2.48	6.75	2.51			
	-5.0	8.54	2.52	8.39	2.56	8.24	2.58	8.17	2.60	8.10	2.61	7.95	2.65			

Symbols
TC: Total capacity [kW]
PI: Power input [kW]
TI: Indoor unit combinations
⊙: Outdoor air temperature [°C WB]

4D155719

5MWXM90A9

Heating 50Hz 230V

①	②	Indoor air temperature [°C DB]														
		16°C			18°C			20°C			22°C			24°C		
		TC	PI	TI	TC	PI	TI	TC	PI	TI	TC	PI	TI	TC	PI	TI
2.5+3.5+3.5	-15.0	6.90	3.25	6.76	3.28	6.62	3.32	6.55	3.39	6.47	3.41	6.33	3.45			
	-10.0	7.79	3.47	7.64	3.51	7.49	3.55	7.42	3.58	7.34	3.59	7.20	3.63			
	0.0	10.13	3.81	9.99	3.85	9.85	3.89	9.77	3.90	9.70	3.92	9.56	3.96			
	6.0	11.55	4.01	11.40	4.05	11.26	4.09	11.19	4.10	11.12	4.13	10.97	4.17			
	10.0	12.48	4.16	12.34	4.18	12.20	4.22	12.12	4.25	12.05	4.26	11.91	4.30			
	15.0	13.66	4.33	13.52	4.36	13.38	4.40	13.30	4.42	13.23	4.44	13.09	4.48			
	-15.0	6.62	3.19	6.48	3.23	6.34	3.27	6.27	3.28	6.19	3.31	6.05	3.35			
	-10.0	7.80	3.36	7.66	3.40	7.52	3.44	7.45	3.45	7.37	3.48	7.23	3.51			
	-5.0	8.98	3.53	8.84	3.57	8.70	3.60	8.62	3.62	8.55	3.64	8.41	3.67			
	0.0	10.16	3.69	10.02	3.73	9.88	3.77	9.80	3.78	9.73	3.80	9.58	3.84			

①	②	Indoor air temperature [°C DB]														
		16°C			18°C			20°C			22°C			24°C		
		TC	PI	TI	TC	PI	TI	TC	PI	TI	TC	PI	TI	TC	PI	TI
2.5+4.2+6.0	-15.0	7.26	3.83	7.14	3.87	7.03	3.91	6.97	3.92	6.91	3.95	6.80	3.99			
	-10.0	8.20	3.91	8.09	3.95	7.97	3.99	7.91	4.00	7.86	4.02	7.72	4.06			
	0.0	10.19	3.37	10.04	3.40	9.89	3.44	9.82	3.46	9.72	3.48	9.59	3.52			
	6.0	11.68	3.57	11.53	3.61	11.38	3.65	11.30	3.67	11.23	3.69	11.08	3.73			
	10.0	12.67	3.72	12.52	3.76	12.36	3.80	12.29	3.81	12.21	3.84	12.06	3.87			
	15.0	13.90	3.90	13.75	3.93	13.60	3.97	13.52	3.99	13.44	4.00	13.29	4.04			
	-15.0	6.42	3.27	6.27	3.30	6.13	3.34	6.06	3.35	5.99	3.36	5.84	3.41			
	-10.0	7.62	3.45	7.47	3.49	7.32	3.53	7.25	3.55	7.18	3.57	7.04	3.61			
	-5.0	8.82	3.62	8.67	3.66	8.52	3.70	8.45	3.72	8.38	3.74	8.24	3.79			
	0.0	10.32	3.86	10.17	3.90	10.00	3.94	9.93	3.95	9.86	3.98	9.73	3.99			

Symbols
TC: Total capacity [kW]
PI: Power input [kW]
TI: Indoor unit combinations
⊙: Outdoor air temperature [°C WB]

4D155724

4 Capacity tables

4 - 2 Heating Capacity Tables

5MWXM90A9

Heating 50Hz 230V

①	②	Indoor air temperature (°C DB)											
		16°C		18°C		20°C		21°C		22°C		24°C	
TC	PI	TC	PI	TC	PI	TC	PI	TC	PI	TC	PI	TC	PI
3.5+3.5+3.5	-15.0	6.42	3.24	6.28	3.28	6.13	3.32	6.05	3.35	5.98	3.36	5.82	3.40
	-10.0	7.65	3.43	7.49	3.47	7.34	3.51	7.27	3.52	7.19	3.55	7.04	3.59
	-5.0	8.86	3.61	8.72	3.65	8.57	3.69	8.49	3.71	8.42	3.73	8.27	3.77
	0.0	10.09	3.78	9.94	3.82	9.79	3.86	9.72	3.89	9.64	3.90	9.49	3.94
	6.0	11.56	4.01	11.41	4.05	11.26	4.09	11.19	4.12	11.11	4.13	10.96	4.17
	10.0	12.54	4.16	12.38	4.20	12.23	4.24	12.16	4.26	12.08	4.28	11.93	4.32
	15.0	13.75	4.34	13.61	4.38	13.46	4.42	13.38	4.44	13.31	4.46	13.16	4.50
3.5+3.5+4.2	-15.0	6.44	3.14	6.30	3.18	6.15	3.22	6.07	3.24	6.00	3.26	5.85	3.30
	-10.0	7.67	3.32	7.52	3.36	7.37	3.40	7.30	3.41	7.22	3.44	7.06	3.48
	-5.0	8.89	3.50	8.75	3.54	8.60	3.58	8.52	3.59	8.45	3.62	8.29	3.66
	0.0	10.12	3.67	9.97	3.71	9.82	3.75	9.75	3.77	9.67	3.78	9.51	3.82
	6.0	11.59	3.89	11.44	3.93	11.29	3.96	11.22	3.99	11.14	4.00	10.99	4.04
	10.0	12.57	4.03	12.42	4.07	12.27	4.11	12.19	4.13	12.11	4.15	11.96	4.18
	15.0	13.79	4.21	13.65	4.25	13.49	4.29	13.41	4.30	13.34	4.33	13.19	4.36
3.5+3.5+5.0	-15.0	6.48	3.09	6.33	3.12	6.18	3.16	6.10	3.18	6.03	3.20	5.87	3.24
	-10.0	7.71	3.27	7.56	3.30	7.41	3.34	7.33	3.36	7.26	3.37	7.11	3.41
	-5.0	8.94	3.43	8.79	3.47	8.64	3.51	8.56	3.53	8.49	3.55	8.34	3.59
	0.0	10.17	3.61	10.02	3.65	9.87	3.69	9.80	3.70	9.72	3.73	9.57	3.76
	6.0	11.65	3.82	11.50	3.85	11.35	3.89	11.27	3.91	11.20	3.93	11.05	3.97
	10.0	12.64	3.96	12.49	4.00	12.34	4.03	12.26	4.05	12.18	4.07	12.03	4.11
	15.0	13.87	4.14	13.72	4.18	13.57	4.20	13.49	4.23	13.42	4.24	13.27	4.28
3.5+3.5+6.0	-15.0	6.54	2.94	6.40	2.98	6.26	3.02	6.18	3.04	6.11	3.06	5.97	3.11
	-10.0	7.82	3.13	7.70	3.17	7.51	3.21	7.43	3.23	7.36	3.24	7.21	3.28
	-5.0	9.06	3.31	8.91	3.35	8.76	3.39	8.67	3.42	8.60	3.43	8.45	3.47
	0.0	10.30	3.50	10.15	3.54	10.00	3.58	9.93	3.59	9.85	3.62	9.69	3.66
	6.0	11.80	3.72	11.64	3.76	11.48	3.80	11.41	3.81	11.34	3.84	11.19	3.88
	10.0	12.79	3.86	12.64	3.91	12.49	3.95	12.41	3.96	12.33	3.99	12.18	4.03
	15.0	14.04	4.05	13.89	4.08	13.73	4.12	13.65	4.15	13.58	4.16	13.43	4.20
3.5+3.5+7.1	-15.0	6.58	2.90	6.44	2.94	6.30	2.98	6.22	2.99	6.15	3.02	6.01	3.06
	-10.0	7.82	3.09	7.73	3.13	7.52	3.17	7.44	3.18	7.37	3.19	7.22	3.23
	-5.0	9.06	3.26	8.91	3.30	8.76	3.34	8.68	3.37	8.61	3.38	8.46	3.42
	0.0	10.31	3.45	10.16	3.49	10.00	3.53	9.93	3.54	9.85	3.57	9.70	3.61
	6.0	11.80	3.67	11.65	3.71	11.50	3.75	11.42	3.76	11.35	3.79	11.19	3.83
	10.0	12.80	3.81	12.65	3.85	12.50	3.89	12.42	3.91	12.34	3.94	12.18	3.98
	15.0	14.04	4.00	13.89	4.03	13.74	4.07	13.66	4.09	13.59	4.11	13.44	4.15
3.5+4.2+4.2	-15.0	6.46	3.05	6.32	3.08	6.17	3.12	6.09	3.15	6.02	3.16	5.86	3.20
	-10.0	7.69	3.22	7.54	3.26	7.39	3.30	7.32	3.31	7.24	3.33	7.09	3.37
	-5.0	8.91	3.40	8.77	3.44	8.62	3.47	8.54	3.49	8.47	3.51	8.32	3.55
	0.0	10.14	3.56	9.99	3.60	9.84	3.64	9.77	3.66	9.69	3.67	9.54	3.71
	6.0	11.62	3.77	11.47	3.81	11.31	3.85	11.24	3.87	11.16	3.89	11.01	3.92
	10.0	12.60	3.91	12.45	3.95	12.29	3.99	12.22	4.01	12.14	4.02	11.99	4.06
	15.0	13.82	4.09	13.68	4.12	13.53	4.16	13.44	4.17	13.36	4.20	13.22	4.24
3.5+4.2+5.0	-15.0	6.49	2.95	6.35	2.99	6.20	3.03	6.12	3.04	6.04	3.07	5.89	3.11
	-10.0	7.73	3.13	7.57	3.17	7.42	3.21	7.35	3.22	7.27	3.24	7.12	3.28
	-5.0	8.95	3.30	8.81	3.34	8.66	3.38	8.58	3.41	8.50	3.42	8.35	3.46
	0.0	10.19	3.49	10.03	3.53	9.88	3.57	9.81	3.58	9.73	3.61	9.58	3.65
	6.0	11.66	3.70	11.51	3.74	11.36	3.78	11.29	3.79	11.21	3.82	11.06	3.86
	10.0	12.65	3.84	12.49	3.88	12.34	3.92	12.27	3.94	12.19	3.96	12.04	4.00
	15.0	13.87	4.03	13.73	4.06	13.58	4.09	13.50	4.12	13.43	4.13	13.27	4.17

①	②	Indoor air temperature (°C DB)											
		16°C		18°C		20°C		21°C		22°C		24°C	
TC	PI	TC	PI	TC	PI	TC	PI	TC	PI	TC	PI	TC	PI
3.5+4.2+6.0	-15.0	6.56	2.83	6.42	2.87	6.28	2.91	6.20	2.92	6.13	2.95	5.99	2.98
	-10.0	7.77	3.01	7.72	3.05	7.47	3.09	7.40	3.10	7.32	3.12	7.16	3.16
	-5.0	8.96	3.18	8.82	3.22	8.67	3.26	8.59	3.29	8.52	3.30	8.37	3.34
	0.0	10.20	3.36	10.05	3.40	9.90	3.44	9.83	3.46	9.75	3.48	9.60	3.52
	6.0	11.68	3.57	11.53	3.61	11.38	3.65	11.30	3.67	11.22	3.69	11.07	3.73
	10.0	12.66	3.72	12.51	3.76	12.36	3.80	12.29	3.81	12.20	3.84	12.05	3.88
	15.0	13.88	3.90	13.74	3.93	13.59	3.97	13.51	3.99	13.44	4.01	13.29	4.05
3.5+4.2+7.1	-15.0	6.57	2.79	6.43	2.83	6.29	2.87	6.21	2.88	6.14	2.91	6.00	2.95
	-10.0	7.78	2.97	7.72	3.01	7.49	3.05	7.41	3.06	7.33	3.08	7.19	3.11
	-5.0	8.97	3.14	8.83	3.18	8.67	3.22	8.60	3.24	8.53	3.26	8.38	3.30
	0.0	10.21	3.32	10.06	3.36	9.91	3.40	9.83	3.41	9.75	3.44	9.60	3.48
	6.0	11.68	3.53	11.53	3.57	11.38	3.61	11.31	3.62	11.23	3.65	11.08	3.69
	10.0	12.66	3.67	12.51	3.71	12.36	3.75	12.29	3.76	12.21	3.79	12.06	3.83
	15.0	13.88	3.85	13.74	3.88	13.59	3.92	13.51	3.94	13.44	3.96	13.29	4.00
3.5+5.0+5.0	-15.0	6.35	2.86	6.20	2.90	6.05	2.94	5.98	2.95	5.91	2.98	5.76	3.00
	-10.0	7.56	3.03	7.41	3.07	7.27	3.11	7.19	3.12	7.12	3.13	6.97	3.17
	-5.0	8.77	3.20	8.62	3.22	8.48	3.26	8.40	3.29	8.33	3.30	8.17	3.34
	0.0	9.97	3.35	9.83	3.39	9.68	3.43	9.60	3.44	9.53	3.47	9.38	3.49
	6.0	11.42	3.54	11.28	3.58	11.13	3.62	11.06	3.63	10.98	3.66	10.84	3.70
	10.0	12.39	3.69	12.25	3.71	12.10	3.74	12.03	3.76	11.94	3.79	11.80	3.83
	15.0	13.60	3.84	13.45	3.88	13.30	3.92	13.23	3.93	13.16	3.96	13.01	3.98
3.5+5.0+6.0	-15.0	6.61	2.82	6.49	2.86	6.33	2.90	6.26	2.91	6.18	2.94	6.04	2.96
	-10.0	7.82	2.99	7.70	3.03	7.53	3.07	7.48	3.08	7.38	3.09	7.25	3.13
	-5.0	9.03	3.16	8.91	3.18	8.74	3.22	8.69	3.25	8.59	3.26	8.47	3.30
	0.0	10.25	3.32	10.10	3.35	9.95	3.39	9.90	3.41	9.80	3.43	9.65	3.46
	6.0	11.70	3.51	11.56	3.55	11.41	3.59	11.34	3.60	11.26	3.63	11.11	3.67
	10.0	12.67	3.66	12.53	3.68	12.38	3.71	12.31	3.73	12.23	3.76	12.08	3.80
	15.0	13.89	3.81	13.74	3.85	13.59	3.89	13.52	3.90	13.45	3.93	13.30	3.96
3.5+5.0+7.1	-15.0	6.63	2.78	6.48	2.82	6.33	2.86	6.26	2.87	6.19	2.90	6.04	2.92
	-10.0	7.84	2.95	7.69	2.99	7.55	3.03	7.47	3.04	7.39	3.05	7.24	3.09
	-5.0	9.04	3.12</										

4 Capacity tables

4 - 2 Heating Capacity Tables

5MWXM90A9

Heating -50Hz 230V-

①	②	Indoor air temperature [°C DB]																																					
		16°C			18°C			20°C			21°C			22°C			24°C																						
		TC	PI	TC	PI	TC	PI	TC	PI	TC	PI	TC	PI	TC	PI	TC	PI	TC	PI																				
15.1+5.2+0.2+0	-15.0	5.89	2.34	5.75	2.38	5.60	2.40	5.53	2.42	5.46	2.43	5.32	2.47	-10.0	7.07	2.48	6.93	2.51	6.79	2.55	6.71	2.56	6.64	2.58	6.50	2.60	-5.0	8.26	2.63	8.11	2.65	7.97	2.68	7.90	2.71	7.83	2.72	7.68	2.75

①	②	Indoor air temperature [°C DB]																																					
		16°C			18°C			20°C			21°C			22°C			24°C																						
		TC	PI	TC	PI	TC	PI	TC	PI	TC	PI	TC	PI	TC	PI	TC	PI	TC	PI																				
15.1+5.2+5.2+5	0.0	9.65	2.91	9.52	2.94	9.34	2.97	9.31	2.99	9.24	3.01	9.10	3.03	-5.0	8.53	2.77	8.40	2.81	8.26	2.83	8.19	2.85	8.13	2.86	7.99	2.90	0.0	10.99	3.08	10.85	3.12	10.71	3.14	10.64	3.16	10.57	3.17	10.43	3.20

Symbols

TC: Total capacity [kW]

PI: Power input [kW]

⊙ Indoor unit combinations

⊗ Outdoor air temperature [°C WB]

4D155724**5MWXM90A9**

Heating -50Hz 230V-

①	②	Indoor air temperature [°C DB]																																					
		16°C			18°C			20°C			21°C			22°C			24°C																						
		TC	PI	TC	PI	TC	PI	TC	PI	TC	PI	TC	PI	TC	PI	TC	PI	TC	PI																				
15.1+5.2+5.2+2.1	-15.0	6.46	2.73	6.31	2.76	6.13	2.80	6.08	2.81	5.98	2.83	5.83	2.86	-10.0	7.66	2.89	7.51	2.91	7.35	2.95	7.28	2.96	7.20	2.99	7.08	3.02	-5.0	8.86	3.04	8.73	3.07	8.58	3.11	8.51	3.12	8.45	3.13	8.28	3.17

①	②	Indoor air temperature [°C DB]																																					
		16°C			18°C			20°C			21°C			22°C			24°C																						
		TC	PI	TC	PI	TC	PI	TC	PI	TC	PI	TC	PI	TC	PI	TC	PI	TC	PI																				
15.1+5.2+0.6+0	0.0	10.51	3.14	10.36	3.18	10.21	3.20	10.12	3.23	10.05	3.24	9.90	3.28	-5.0	9.27	2.98	9.12	3.01	8.96	3.05	8.91	3.06	8.81	3.09	8.66	3.11	0.0	12.93	3.39	12.87	3.43	12.82	3.47	12.75	3.50	12.69	3.53	12.54	3.57

Symbols

TC: Total capacity [kW]

PI: Power input [kW]

⊙ Indoor unit combinations

⊗ Outdoor air temperature [°C WB]

4D155724

4 Capacity tables
4 - 2 Heating Capacity Tables

5MWXM90A9

Heating 50Hz 230V

Table with 2 columns of indoor air temperature (16°C to 24°C) and multiple rows of capacity data for various indoor/outdoor temperature combinations.

Table with 2 columns of indoor air temperature (16°C to 24°C) and multiple rows of capacity data for various indoor/outdoor temperature combinations.

Symbols
TC: Total capacity [kW]
PI: Power input [kW]
⊗ Indoor unit combinations
⊙ Outdoor air temperature [°C (WB)]

4

4D155724

5MWXM90A9

Heating 50Hz 230V

Table with 2 columns of indoor air temperature (16°C to 24°C) and multiple rows of capacity data for various indoor/outdoor temperature combinations.

Table with 2 columns of indoor air temperature (16°C to 24°C) and multiple rows of capacity data for various indoor/outdoor temperature combinations.

Symbols
TC: Total capacity [kW]
PI: Power input [kW]
⊗ Indoor unit combinations
⊙ Outdoor air temperature [°C (WB)]

4D155724

4 Capacity tables

4-2 Heating Capacity Tables

5MWXM90A9

①	②	Indoor air temperature [°C DB]																	
		16°C			18°C			20°C			21°C			22°C			24°C		
		TC	PI	TI	TC	PI	TI	TC	PI	TI	TC	PI	TI	TC	PI	TI	TC	PI	TI
		kW	kW	kW	kW	kW	kW	kW	kW	kW	kW	kW	kW	kW	kW	kW	kW	kW	kW
1.5+2.5+4.2+6.0	-15.0	6.84	2.64	6.71	2.68	6.57	2.71	6.50	2.73	6.44	2.74	6.30	2.78						
	-10.0	7.94	2.79	7.81	2.83	7.68	2.87	7.61	2.88	7.54	2.90	7.41	2.93						
	-5.0	9.15	2.96	9.00	2.98	8.85	3.02	8.78	3.03	8.70	3.06	8.55	3.08						
	0.0	10.38	3.11	10.23	3.15	10.08	3.17	10.00	3.20	9.93	3.22	9.78	3.25						
	5.0	11.85	3.30	11.70	3.32	11.55	3.36	11.48	3.37	11.40	3.40	11.25	3.42						
	10.0	12.83	3.41	12.68	3.45	12.53	3.49	12.46	3.50	12.38	3.52	12.23	3.55						
	15.0	14.07	3.58	13.92	3.60	13.77	3.64	13.69	3.66	13.62	3.68	13.47	3.71						
	-15.0	8.92	2.65	8.78	2.68	8.64	2.71	8.57	2.74	8.51	2.75	8.37	2.78						
-10.0	8.03	2.80	7.90	2.84	7.76	2.88	7.69	2.89	7.62	2.90	7.49	2.94							
-5.0	9.26	2.96	9.11	2.99	8.96	3.03	8.89	3.04	8.81	3.07	8.65	3.09							
0.0	10.50	3.12	10.35	3.16	10.20	3.18	10.12	3.21	10.05	3.23	9.90	3.26							
5.0	11.99	3.31	11.84	3.33	11.69	3.37	11.62	3.38	11.54	3.41	11.39	3.44							
10.0	12.98	3.42	12.83	3.46	12.68	3.50	12.61	3.51	12.53	3.54	12.38	3.56							
15.0	14.23	3.59	14.07	3.61	13.92	3.65	13.84	3.68	13.77	3.69	13.62	3.72							

①	②	Indoor air temperature [°C DB]																	
		16°C			18°C			20°C			21°C			22°C			24°C		
		TC	PI	TI	TC	PI	TI	TC	PI	TI	TC	PI	TI	TC	PI	TI	TC	PI	TI
		kW	kW	kW	kW	kW	kW	kW	kW	kW	kW	kW	kW	kW	kW	kW	kW	kW	kW
1.5+2.5+4.2	-15.0	6.47	2.65	6.31	2.68	6.14	2.72	6.09	2.73	5.99	2.74	5.84	2.78						
	-10.0	7.67	2.80	7.51	2.83	7.36	2.86	7.29	2.88	7.21	2.90	7.06	2.94						
	-5.0	8.89	2.95	8.73	2.98	8.58	3.02	8.51	3.03	8.46	3.04	8.29	3.08						
	0.0	10.11	3.10	9.95	3.13	9.83	3.16	9.73	3.18	9.66	3.20	9.51	3.22						
	5.0	11.58	3.28	11.43	3.31	11.28	3.34	11.21	3.36	11.12	3.38	10.97	3.40						
	10.0	12.56	3.40	12.41	3.43	12.25	3.46	12.18	3.48	12.10	3.50	11.95	3.52						
	15.0	13.78	3.55	13.63	3.58	13.47	3.61	13.40	3.63	13.32	3.64	13.18	3.68						
	-15.0	8.57	2.64	8.38	2.68	8.26	2.71	8.14	2.73	8.06	2.74	7.91	2.77						
-10.0	7.75	2.79	7.60	2.82	7.46	2.86	7.38	2.87	7.30	2.88	7.15	2.92							
-5.0	8.99	2.94	8.84	2.97	8.69	3.01	8.61	3.02	8.54	3.04	8.39	3.07							
0.0	10.23	3.09	10.08	3.13	9.93	3.15	9.85	3.18	9.78	3.19	9.63	3.22							
5.0	11.71	3.27	11.56	3.30	11.41	3.33	11.33	3.35	11.26	3.37	11.11	3.39							
10.0	12.70	3.38	12.55	3.42	12.40	3.46	12.33	3.47	12.25	3.49	12.10	3.52							
15.0	13.94	3.54	13.79	3.56	13.64	3.60	13.56	3.61	13.49	3.64	13.34	3.66							

Symbols
 TC: Total capacity [kW]
 PI: Power input [kW]
 TI: Indoor unit combinations
 ⊙: Outdoor air temperature [°C WB]

4D155724

5MWXM90A9

①	②	Indoor air temperature [°C DB]																	
		16°C			18°C			20°C			21°C			22°C			24°C		
		TC	PI	TI	TC	PI	TI	TC	PI	TI	TC	PI	TI	TC	PI	TI	TC	PI	TI
		kW	kW	kW	kW	kW	kW	kW	kW	kW	kW	kW	kW	kW	kW	kW	kW	kW	kW
1.5+3.5+3.5+4.2	-15.0	6.43	2.71	6.28	2.74	6.14	2.78	6.06	2.79	5.99	2.80	5.84	2.84						
	-10.0	7.66	2.86	7.51	2.89	7.36	2.93	7.29	2.94	7.21	2.96	7.06	3.00						
	-5.0	8.89	3.01	8.73	3.05	8.58	3.09	8.51	3.10	8.46	3.11	8.29	3.15						
	0.0	10.10	3.17	9.95	3.20	9.80	3.23	9.73	3.24	9.66	3.27	9.51	3.29						
	5.0	11.57	3.35	11.42	3.38	11.27	3.42	11.20	3.43	11.12	3.45	10.97	3.48						
	10.0	12.55	3.46	12.40	3.50	12.25	3.54	12.18	3.55	12.10	3.58	11.95	3.60						
	15.0	13.77	3.62	13.62	3.66	13.47	3.69	13.40	3.71	13.32	3.72	13.18	3.76						
	-15.0	6.51	2.69	6.36	2.73	6.21	2.76	6.13	2.78	6.05	2.79	5.91	2.83						
-10.0	7.75	2.84	7.60	2.88	7.44	2.92	7.37	2.93	7.30	2.94	7.15	2.98							
-5.0	8.99	3.01	8.84	3.03	8.69	3.07	8.61	3.08	8.54	3.10	8.39	3.13							
0.0	10.23	3.15	10.08	3.19	9.93	3.22	9.85	3.24	9.78	3.25	9.63	3.29							
5.0	11.71	3.34	11.57	3.37	11.41	3.40	11.33	3.42	11.26	3.44	11.11	3.46							
10.0	12.71	3.45	12.56	3.49	12.40	3.53	12.33	3.54	12.25	3.56	12.10	3.59							
15.0	13.95	3.61	13.80	3.64	13.65	3.68	13.57	3.69	13.50	3.71	13.34	3.74							

①	②	Indoor air temperature [°C DB]																	
		16°C			18°C			20°C			21°C			22°C			24°C		
		TC	PI	TI	TC	PI	TI	TC	PI	TI	TC	PI	TI	TC	PI	TI	TC	PI	TI
		kW	kW	kW	kW	kW	kW	kW	kW	kW	kW	kW	kW	kW	kW	kW	kW	kW	kW
1.5+3.5+0.5+0.5	-15.0	6.18	2.66	6.02	2.69	5.86	2.72	5.79	2.73	5.71	2.74	5.56	2.78						
	-10.0	7.42	2.81	7.27	2.84	7.12	2.87	7.05	2.88	6.97	2.89	6.82	2.93						
	-5.0	8.67	2.96	8.52	2.99	8.37	3.03	8.30	3.04	8.22	3.05	8.07	3.09						
	0.0	9.89	3.14	9.74	3.17	9.59	3.20	9.52	3.21	9.44	3.22	9.29	3.26						
	5.0	11.36	3.33	11.21	3.36	11.06	3.39	10.99	3.40	10.91	3.41	10.76	3.45						
	10.0	12.34	3.44	12.19	3.48	12.04	3.51	11.97	3.52	11.89	3.53	11.74	3.57						
	15.0	13.56	3.60	13.41	3.64	13.26	3.67	13.19	3.68	13.11	3.69	12.96	3.73						
	-15.0	6.22	2.71	6.07	2.74	5.91	2.77	5.84	2.78	5.76	2.79	5.61	2.83						
-10.0	7.46	2.86	7.31	2.89	7.16	2.92	7.09	2.93	7.01	2.94	6.86	2.98							
-5.0	8.71	3.01	8.56	3.04	8.41	3.07	8.34	3.08	8.26	3.09	8.11	3.13							
0.0	9.94	3.20	9.79	3.23	9.64	3.26	9.57	3.27	9.49	3.28	9.34	3.32							
5.0	11.42	3.39	11.27	3.42	11.12	3.45	11.05	3.46	10.97	3.47	10.82	3.51							
10.0	12.40	3.50	12.25	3.54	12.10	3.58	12.03	3.59	11.95	3.60	11.80	3.64							
15.0	13.62	3.66	13.47	3.69	13.32	3.72	13.25	3.73	13.17	3.74	13.02	3.78							

Symbols
 TC: Total capacity [kW]
 PI: Power input [kW]
 TI: Indoor unit combinations
 ⊙: Outdoor air temperature [°C WB]

4D155724

4 Capacity tables

4 - 2 Heating Capacity Tables

5MWXM90A9

Heating 50Hz 230V

①	②	Indoor air temperature [°C DB]																	
		16°C			18°C			20°C			21°C			22°C			24°C		
		TC	PI	TC	PI	TC	PI	TC	PI	TC	PI	TC	PI	TC	PI	TC	PI		
2.0*2.0+2.0+5.0	-15.0	10.23	3.21	10.08	3.24	9.93	3.27	9.85	3.29	9.78	3.32	9.63	3.34	9.50	3.37	9.37	3.39		
2.0*2.0+2.0+5.0	-10.0	7.75	2.89	7.60	2.93	7.45	2.97	7.37	2.98	7.30	2.99	7.15	3.03	7.00	3.06	6.85	3.09		
2.0*2.0+2.0+5.0	0.0	11.72	3.39	11.57	3.42	11.42	3.46	11.34	3.47	11.26	3.49	11.11	3.52	10.96	3.55	10.81	3.58		
2.0*2.0+2.0+5.0	10.0	12.71	3.51	12.56	3.54	12.41	3.58	12.34	3.59	12.25	3.62	12.10	3.65	11.95	3.68	11.80	3.71		
2.0*2.0+2.0+5.0	15.0	13.95	3.67	13.80	3.70	13.65	3.73	13.57	3.76	13.50	3.77	13.35	3.81	13.20	3.84	13.05	3.87		
2.0*2.0+2.0+5.0	-15.0	8.99	2.68	8.84	2.72	8.69	2.76	8.54	2.80	8.39	2.84	8.24	2.88	8.09	2.92	7.94	2.96		
2.0*2.0+2.0+5.0	-10.0	7.93	2.83	7.77	2.87	7.62	2.91	7.54	2.92	7.47	2.94	7.32	2.97	7.17	3.00	7.02	3.03		
2.0*2.0+2.0+5.0	-5.0	9.15	3.00	9.00	3.03	8.85	3.06	8.78	3.08	8.70	3.10	8.55	3.13	8.40	3.16	8.25	3.19		
2.0*2.0+2.0+5.0	0.0	10.38	3.15	10.23	3.19	10.08	3.22	10.00	3.24	9.93	3.27	9.78	3.29	9.63	3.32	9.48	3.35		
2.0*2.0+2.0+5.0	6.0	11.85	3.34	11.70	3.37	11.55	3.41	11.48	3.42	11.40	3.45	11.25	3.47	11.10	3.50	10.95	3.53		
2.0*2.0+2.0+5.0	10.0	12.83	3.46	12.68	3.50	12.53	3.54	12.48	3.55	12.38	3.57	12.23	3.60	12.08	3.63	11.93	3.66		
2.0*2.0+2.0+5.0	15.0	14.07	3.62	13.92	3.65	13.77	3.69	13.69	3.71	13.62	3.73	13.47	3.77	13.32	3.80	13.17	3.83		
2.0*2.0+2.0+5.0	-15.0	6.78	2.68	6.63	2.72	6.48	2.76	6.40	2.77	6.33	2.78	6.18	2.82	6.03	2.85	5.88	2.88		
2.0*2.0+2.0+5.0	-10.0	8.03	2.84	7.88	2.87	7.73	2.91	7.64	2.93	7.57	2.94	7.42	2.98	7.27	3.01	7.12	3.04		
2.0*2.0+2.0+5.0	-5.0	9.26	3.00	9.11	3.03	8.96	3.07	8.88	3.08	8.81	3.11	8.66	3.13	8.51	3.16	8.36	3.19		
2.0*2.0+2.0+5.0	0.0	10.51	3.16	10.35	3.20	10.20	3.22	10.12	3.25	10.05	3.27	9.90	3.30	9.75	3.33	9.60	3.36		
2.0*2.0+2.0+5.0	6.0	11.99	3.35	11.84	3.38	11.69	3.42	11.62	3.43	11.54	3.46	11.39	3.48	11.24	3.51	11.09	3.54		
2.0*2.0+2.0+5.0	10.0	12.98	3.47	12.83	3.51	12.68	3.55	12.61	3.56	12.53	3.58	12.38	3.61	12.23	3.64	12.08	3.67		
2.0*2.0+2.0+5.0	15.0	14.23	3.64	14.07	3.68	13.92	3.72	13.84	3.74	13.77	3.76	13.62	3.79	13.47	3.82	13.32	3.85		
2.0*2.0+2.0+5.0	-15.0	6.78	2.88	6.63	2.90	6.48	2.92	6.41	2.95	6.33	2.98	6.18	2.99	6.03	3.02	5.88	3.05		
2.0*2.0+2.0+5.0	-10.0	7.98	3.01	7.84	3.04	7.71	3.07	7.64	3.09	7.57	3.10	7.43	3.14	7.28	3.17	7.14	3.20		
2.0*2.0+2.0+5.0	-5.0	9.09	3.15	8.96	3.19	8.82	3.21	8.76	3.23	8.69	3.24	8.55	3.28	8.40	3.31	8.26	3.34		
2.0*2.0+2.0+5.0	0.0	10.20	3.29	10.07	3.33	9.93	3.35	9.87	3.38	9.80	3.39	9.66	3.41	9.51	3.44	9.37	3.47		
2.0*2.0+2.0+5.0	6.0	11.55	3.48	11.41	3.50	11.28	3.53	11.19	3.54	11.12	3.55	10.98	3.58	10.83	3.61	10.68	3.64		
2.0*2.0+2.0+5.0	10.0	12.48	3.58	12.34	3.62	12.19	3.64	12.12	3.65	12.05	3.68	11.91	3.70	11.76	3.73	11.61	3.76		
2.0*2.0+2.0+5.0	15.0	13.84	3.72	13.69	3.75	13.56	3.78	13.48	3.81	13.41	3.82	13.27	3.84	13.12	3.87	12.97	3.90		
2.0*2.0+2.0+5.0	-15.0	6.79	2.80	6.64	2.83	6.49	2.86	6.41	2.89	6.34	2.90	6.19	2.94	6.04	2.97	5.89	3.00		
2.0*2.0+2.0+5.0	-10.0	7.98	2.95	7.84	2.99	7.71	3.02	7.64	3.04	7.57	3.06	7.43	3.09	7.28	3.12	7.14	3.15		
2.0*2.0+2.0+5.0	-5.0	9.09	3.11	8.96	3.12	8.82	3.18	8.75	3.20	8.69	3.21	8.55	3.25	8.40	3.28	8.26	3.31		
2.0*2.0+2.0+5.0	0.0	10.20	3.26	10.07	3.30	9.93	3.32	9.87	3.35	9.80	3.38	9.66	3.40	9.51	3.43	9.37	3.46		
2.0*2.0+2.0+5.0	6.0	11.57	3.46	11.42	3.49	11.28	3.52	11.19	3.54	11.12	3.57	11.00	3.59	10.85	3.62	10.70	3.65		
2.0*2.0+2.0+5.0	10.0	12.55	3.59	12.39	3.62	12.24	3.65	12.17	3.67	12.09	3.69	11.94	3.72	11.79	3.75	11.64	3.78		
2.0*2.0+2.0+5.0	15.0	13.77	3.74	13.62	3.78	13.48	3.82	13.39	3.83	13.31	3.84	13.16	3.88	13.01	3.91	12.86	3.94		
2.0*2.0+2.0+5.0	-15.0	6.80	2.73	6.65	2.77	6.50	2.79	6.42	2.81	6.35	2.83	6.20	2.86	6.05	2.89	5.90	2.92		
2.0*2.0+2.0+5.0	-10.0	7.99	2.88	7.85	2.91	7.72	2.95	7.65	2.96	7.58	2.99	7.44	3.01	7.29	3.04	7.14	3.07		
2.0*2.0+2.0+5.0	-5.0	9.10	3.04	8.97	3.04	8.83	3.10	8.76	3.12	8.70	3.14	8.56	3.17	8.41	3.20	8.26	3.23		
2.0*2.0+2.0+5.0	0.0	10.21	3.19	10.08	3.22	9.94	3.26	9.88	3.27	9.81	3.30	9.67	3.32	9.52	3.35	9.37	3.38		
2.0*2.0+2.0+5.0	6.0	11.57	3.38	11.42	3.41	11.27	3.44	11.20	3.46	11.12	3.48	11.01	3.51	10.90	3.54	10.79	3.57		
2.0*2.0+2.0+5.0	10.0	12.55	3.51	12.40	3.53	12.25	3.57	12.18	3.58	12.10	3.60	11.95	3.63	11.80	3.66	11.65	3.69		
2.0*2.0+2.0+5.0	15.0	13.77	3.65	13.62	3.69	13.47	3.73	13.40	3.74	13.32	3.75	13.17	3.79	13.02	3.82	12.87	3.85		
2.0*2.0+2.0+5.0	-15.0	6.82	2.72	6.76	2.76	6.61	2.78	6.53	2.81	6.46	2.82	6.31	2.86	6.16	2.89	6.01	2.92		
2.0*2.0+2.0+5.0	-10.0	8.11	2.87	7.97	2.91	7.84	2.94	7.76	2.96	7.69	2.97	7.55	3.01	7.40	3.04	7.25	3.07		
2.0*2.0+2.0+5.0	-5.0	9.22	3.03	9.09	3.05	8.95	3.09	8.88	3.10	8.82	3.13	8.67	3.15	8.52	3.18	8.37	3.21		
2.0*2.0+2.0+5.0	0.0	10.25	3.18	10.10	3.22	10.06	3.24	10.00	3.27	9.93	3.29	9.79	3.32	9.64	3.35	9.50	3.38		
2.0*2.0+2.0+5.0	6.0	11.72	3.37	11.57	3.39	11.41	3.43	11.34	3.44	11.28	3.47	11.11	3.49	10.96	3.52	10.81	3.55		
2.0*2.0+2.0+5.0	10.0	12.71	3.49	12.56	3.52	12.41	3.55	12.33	3.57	12.25	3.59	12.10	3.62	11.95	3.65	11.80	3.68		
2.0*2.0+2.0+5.0	15.0	13.95	3.64	13.80	3.67	13.65	3.70	13.57	3.72	13.50	3.74	13.34	3.77	13.19	3.80	13.04	3.83		

①	②	Indoor air temperature [°C DB]																	
		16°C			18°C			20°C			21°C			22°C			24°C		
		TC	PI	TC	PI	TC	PI	TC	PI	TC	PI	TC	PI	TC	PI	TC	PI		
2.0*2.0+2.5+6.0	-15.0	6.95	2.66	6.80	2.70	6.65	2.72	6.57	2.75	6.50	2.76	6.35	2.80	6.20	2.83	6.05	2.86		
2.0*2.0+2.5+6.0	-10.0	8.14	2.81	8.00	2.85	7.86	2.89	7.79	2.90	7.72	2.91	7.58	2.95	7.43	2.98	7.28	3.01		
2.0*2.0+2.5+6.0	-5.0	9.24	2.98	9.11	3.00	8.97	3.04	8.90	3.05	8.84	3.08	8.70	3.11	8.55	3.14	8.40	3.17		
2.0*2.0+2.5+6.0	0.0	10.40	3.13	10.25	3.17	10.10	3.19	10.02	3.22	9.96	3.24	9.80	3.27	9.65	3.30	9.50	3.33		
2.0*2.0+2.5+6.0	6.0	11.85	3.32	11.70	3.35	11.55	3.38	11.48	3.40	11.40	3.42	11.25	3.45	11.10	3.48	10.95	3.51		
2.0*2.0+2.5+6.0	10.0	12.83	3.43	12.68	3.47	12.53	3.51	12.46	3.52	12.38	3.55	12.23	3.57	12.08	3.60	11.93	3.63		
2.0*2.0+2.5+6.0	15.0	14.07	3.60	13.92	3.62	13.77	3.66	13.69	3.69	13.62	3.70	13.47	3.74	13.32	3.77	13.17	3.80		
2.0*2.0+2.5+7.1	-15.0	7.05	2.66	6.90	2.70	6.74	2.73	6.66	2.75	6.59	2.77	6.44	2.80	6.29	2.83	6.14	2.86		
2.0*2.0+2.5+7.1	-10.0	8.24	2.82	8.10	2.86	7.96	2.89	7.90	2.91	7.83	2.92	7.68	2.96	7.53	2.99	7.38	3.02		
2.0*2.0+2.5+7.1	-5.0	9.35	2.98	9.22	3.01	9.08	3.05	9.01	3.06	8.95	3.09	8.81	3.12	8.66	3.15	8.51	3.18		
2.0*2.0+2.5+7.1	0.0	10.50	3.14	10.35	3.18	10.20	3.20	10.12	3.23	10.05	3.25	9.90	3.28	9.75	3.31	9.60	3.34		
2.0*2.0+2.5+7.1	6.0	11.99	3.33	11.84	3.36	11.69	3.39	11.62	3.41	11.54	3.43	11.39	3.46	11.24	3.49	11.09	3.52		
2.0*2.0+2.5+7.1	10.0	12.98	3.44	12.83	3.48	12.68	3.52	12.61	3.53	12.53	3.56	12.38	3.59	12.23	3.62	12.08	3.65		
2.0*2.0+2.5+7.1	15.0	14.23	3.61	14.07	3.64	13.92	3.68	13.84	3.70	13.77	3.71	13.62	3.75	13.47	3.78	13.32	3.81		
2.0*2.0+2.5+9.5	-15.0	6.42	2.79	6.27	2.83	6.13	2.87	6.05	2.88	5.98	2.90	5.83	2.93	5.68	2.96	5.53	2.99		
2.0*2.0+2.5+9.5	-10.0	7.65	2.96	7.50	2.98	7.35	3.02	7.28	3.03	7.20	3.06	7.05	3.10	6.90	3.13	6.75	3.17		
2.0*2.0+2.5+9.5	-5.0	8.87	3.11	8.72	3.15	8.57	3.19	8.50	3.20	8.42	3.21	8.28	3.25	8.13</					

4 Capacity tables

4 - 2 Heating Capacity Tables

5MWXM90A9

Heating 50Hz 230V.

①	②	Indoor air temperature (°C DB)																									
		16°C				18°C				20°C				22°C				24°C									
		TC	PI	TC	PI	TC	PI	TC	PI	TC	PI	TC	PI	TC	PI	TC	PI										
2.0+3.5+5.0+5.0		-15.0	6.57	2.63	6.42	2.67	6.37	2.69	6.18	2.72	6.12	2.73	5.98	2.77	-10.0	7.83	2.76	7.67	2.82	7.51	2.84	7.44	2.87	7.38	2.88	7.21	2.91
2.0+4.2+4.2+4.2		-15.0	6.44	2.60	6.29	2.63	6.18	2.67	6.07	2.68	6.00	2.69	5.85	2.72	-10.0	7.67	2.75	7.52	2.77	7.37	2.81	7.30	2.82	7.22	2.84	7.07	2.88
2.0+4.2+4.2+5.0		-15.0	6.52	2.59	6.36	2.62	6.21	2.65	6.13	2.67	6.06	2.68	5.91	2.72	-10.0	7.75	2.73	7.60	2.77	7.45	2.79	7.37	2.82	7.30	2.83	7.15	2.86
2.5+2.5+2.5+5.0		-15.0	6.89	2.29	6.84	2.91	6.89	2.95	6.81	2.96	6.54	2.98	6.39	3.01	-10.0	8.10	3.03	8.00	3.07	7.92	3.09	7.84	3.11	7.77	3.12	7.62	3.16
2.5+2.5+2.5+3.5		-15.0	6.86	2.81	6.73	2.85	6.59	2.87	6.52	2.90	6.46	2.91	6.32	2.93	-10.0	7.98	2.98	7.84	2.98	7.71	2.97	7.64	2.98	7.57	3.01	7.44	3.03
2.5+2.5+2.5+4.2		-15.0	6.86	2.81	6.73	2.85	6.59	2.87	6.52	2.90	6.46	2.91	6.32	2.93	-10.0	7.98	2.98	7.84	2.98	7.71	2.97	7.64	2.98	7.57	3.01	7.44	3.03
2.5+2.5+3.5+3.5		-15.0	6.86	2.81	6.73	2.85	6.59	2.87	6.52	2.90	6.46	2.91	6.32	2.93	-10.0	7.98	2.98	7.84	2.98	7.71	2.97	7.64	2.98	7.57	3.01	7.44	3.03
2.5+2.5+3.5+4.2		-15.0	6.86	2.81	6.73	2.85	6.59	2.87	6.52	2.90	6.46	2.91	6.32	2.93	-10.0	7.98	2.98	7.84	2.98	7.71	2.97	7.64	2.98	7.57	3.01	7.44	3.03
2.5+2.5+4.2+4.2		-15.0	6.86	2.81	6.73	2.85	6.59	2.87	6.52	2.90	6.46	2.91	6.32	2.93	-10.0	7.98	2.98	7.84	2.98	7.71	2.97	7.64	2.98	7.57	3.01	7.44	3.03
2.5+2.5+4.2+5.0		-15.0	6.86	2.81	6.73	2.85	6.59	2.87	6.52	2.90	6.46	2.91	6.32	2.93	-10.0	7.98	2.98	7.84	2.98	7.71	2.97	7.64	2.98	7.57	3.01	7.44	3.03
2.5+2.5+5.0+3.5		-15.0	6.86	2.81	6.73	2.85	6.59	2.87	6.52	2.90	6.46	2.91	6.32	2.93	-10.0	7.98	2.98	7.84	2.98	7.71	2.97	7.64	2.98	7.57	3.01	7.44	3.03
2.5+2.5+5.0+4.2		-15.0	6.86	2.81	6.73	2.85	6.59	2.87	6.52	2.90	6.46	2.91	6.32	2.93	-10.0	7.98	2.98	7.84	2.98	7.71	2.97	7.64	2.98	7.57	3.01	7.44	3.03
2.5+2.5+5.0+5.0		-15.0	6.86	2.81	6.73	2.85	6.59	2.87	6.52	2.90	6.46	2.91	6.32	2.93	-10.0	7.98	2.98	7.84	2.98	7.71	2.97	7.64	2.98	7.57	3.01	7.44	3.03

①	②	Indoor air temperature (°C DB)																									
		16°C				18°C				20°C				22°C				24°C									
		TC	PI	TC	PI	TC	PI	TC	PI	TC	PI	TC	PI	TC	PI	TC	PI										
2.5+2.5+2.5+6.0		-15.0	6.32	2.63	6.79	2.86	6.65	2.89	6.58	2.71	6.52	2.73	6.38	2.76	-10.0	8.03	2.78	7.89	2.81	7.76	2.85	7.69	2.86	7.62	2.88	7.49	2.91
2.5+2.5+3.5+3.5		-15.0	6.42	2.75	6.82	2.91	6.71	2.94	6.60	2.97	6.50	2.99	6.35	3.02	-10.0	8.14	2.78	8.00	2.82	7.98	2.86	7.99	2.87	7.92	2.88	7.79	2.92
2.5+2.5+3.5+4.2		-15.0	6.42	2.75	6.82	2.91	6.71	2.94	6.60	2.97	6.50	2.99	6.35	3.02	-10.0	8.14	2.78	8.00	2.82	7.98	2.86	7.99	2.87	7.92	2.88	7.79	2.92
2.5+2.5+3.5+5.0		-15.0	6.42	2.75	6.82	2.91	6.71	2.94	6.60	2.97	6.50	2.99	6.35	3.02	-10.0	8.14	2.78	8.00	2.82	7.98	2.86	7.99	2.87	7.92	2.88	7.79	2.92
2.5+2.5+3.5+5.5		-15.0	6.42	2.75	6.82	2.91	6.71	2.94	6.60	2.97	6.50	2.99	6.35	3.02	-10.0	8.14	2.78	8.00	2.82	7.98	2.86	7.99	2.87	7.92	2.88	7.79	2.92
2.5+2.5+4.2+3.5		-15.0	6.42	2.75	6.82	2.91	6.71	2.94	6.60	2.97	6.50	2.99	6.35	3.02	-10.0	8.14	2.78	8.00	2.82	7.98	2.86	7.99	2.87	7.92	2.88	7.79	2.92
2.5+2.5+4.2+4.2		-15.0	6.42	2.75	6.82	2.91	6.71	2.94	6.60	2.97	6.50	2.99	6.35	3.02	-10.0	8.14	2.78	8.00	2.82	7.98	2.86	7.99	2.87	7.92	2.88	7.79	2.92
2.5+2.5+4.2+5.0		-15.0	6.42	2.75	6.82	2.91	6.71	2.94	6.60	2.97	6.50	2.99	6.35	3.02	-10.0	8.14	2.78	8.00	2.82	7.98	2.86	7.99	2.87	7.92	2.88	7.79	2.92
2.5+2.5+4.2+5.5		-15.0	6.42	2.75	6.82	2.91	6.71	2.94	6.60	2.97	6.50	2.99	6.35	3.02	-10.0	8.14	2.78	8.00	2.82	7.98	2.86	7.99	2.87	7.92	2.88	7.79	2.92
2.5+2.5+5.0+3.5		-15.0	6.42	2.75	6.82	2.91	6.71	2.94	6.60	2.97	6.50	2.99	6.35	3.02	-10.0	8.14	2.78	8.00	2.82	7.98	2.86	7.99	2.87	7.92	2.88	7.79	2.92
2.5+2.5+5.0+4.2		-15.0	6.42	2.75	6.82	2.91	6.71	2.94	6.60	2.97	6.50	2.99	6.35	3.02	-10.0	8.14	2.78	8.00	2.82	7.98	2.86	7.99	2.87	7.92	2.88	7.79	2.92
2.5+2.5+5.0+5.0		-15.0	6.42	2.75	6.82	2.91	6.71	2.94	6.60	2.97	6.50	2.99	6.35	3.02	-10.0	8.14	2.78	8.00	2.82	7.98	2.86	7.99	2.87	7.92	2.88	7.79	2.92

Symbols
 TC: Total capacity [kW]
 PI: Power input [kW]
 ○ Indoor unit combinations
 ⊗ Outdoor air temperature [°C (WB)]

4

4D155724

5MWXM90A9

Heating 50Hz 230V.

①	②	Indoor air temperature (°C DB)																							
		16°C				18°C				20°C				22°C				24°C							
		TC	PI	TC	PI	TC	PI	TC	PI	TC	PI	TC	PI	TC	PI	TC	PI								
2.5+3.5+4.2+4.2		-15.0	6.67	2.78	7.51	2.88	7.28	2.84	7.29	2.86	7.21	2.88	7.09	2.92	-10.0	7.89	2.93	7.74	2.96	7.58	3.00	7.51	3.02	7.39	3.06
2.5+3.5+4.2+5.0		-15.0	6.67	2.78	7.51	2.88	7.28	2.84	7.29	2.86	7.21	2.88	7.09	2.92	-10.0	7.89	2.93	7.74	2.96	7.58	3.00	7.51	3.02	7.39	3.06
2.5+3.5+5.0+3.5		-15.0	6.67	2.78	7.51	2.88	7.28	2.84	7.29	2.86	7.21	2.88	7.09	2.92	-10.0	7.89	2.93	7.74	2.96	7.58	3.00	7.51	3.02	7.39	3.06
2.5+3.5+5.0+4.2		-15.0	6.67	2.78	7.51	2.88	7.28	2.84	7.29	2.86	7.21	2.88	7.09	2.92	-10.0	7.89	2.93	7.74	2.96	7.58	3.00	7.51	3.02	7.39	3.06
2.5+3.5+5.0+5.0		-15.0	6.67	2.78	7.51	2.88	7.28	2.84	7.29	2.86	7.21	2.88	7.09	2.92	-10.0	7.89	2.93	7.74	2.96	7.58	3.00	7.51	3.02	7.39	3.06
2.5+3.5+6.0+3.5		-15.0	6.67	2.78	7.51	2.88	7.28	2.84	7.29	2.86	7.21	2.88	7.09	2.92	-10.0	7.89	2.93	7.74	2.96	7.58	3.00	7.51	3.02	7.39	3.06
2.5+3.5+6.0+4.2		-15.0	6.67	2.78	7.51	2.88	7.28	2.84	7.29	2.86	7.21	2.88	7.09	2.92	-10.0	7.89	2.93	7.74	2.96	7.58	3.00	7.51	3.02	7.39	3.06
2.5+3.5+6.0+5.0		-15.0	6.67	2.78	7.51	2.88	7.28	2.84	7.29	2.86	7.21	2.88	7.09	2.92	-10.0	7.89	2.93	7.74	2.96	7.58	3.00	7.51	3.02	7.39	3.06
2.5+3.5+6.0+5.5		-15.0	6.67	2.78	7.51	2.88	7.28	2.84	7.29	2.86	7.21	2.88	7.09	2.92	-10.0	7.89	2.93	7.74	2.96	7.58	3.00	7.51	3.02	7.39	3.06
2.5+3.5+5.0+3.5		-15.0	6.67	2.78	7.51	2.88	7.28	2.84	7.29	2.86	7.21	2.88	7.09	2.92	-10.0	7.89	2.93	7.74	2.96	7.58	3.00	7.51	3.02	7.39	3.06
2.5+3.5+5.0+4.2		-15.0	6.67	2.78	7.51	2.88	7.28	2.84	7.29	2.86	7.21	2.88	7.09	2.92	-10.0	7.89	2.93	7.74	2.96	7.58	3.00	7.51	3.02	7.39	3.06
2.5+3.5+5.0+5.0		-15.0	6.67	2.78	7.51	2.88	7.28	2.84	7.29	2.86	7.21	2.88	7.09	2.92	-10.0	7.89	2.93	7.74	2.96	7.58	3.00	7.51	3.02	7.39	3.06
2.5+3.5+5.0+5.5		-15.0	6.67	2.78	7.51	2.88	7.28	2.84	7.29	2.86	7.21	2.88	7.09	2.92	-10.0	7.89	2.93	7.74	2.96	7.58	3.00	7.51	3.02	7.39	3.06
2.5+3.5+6.0+3.5		-15.0	6.67	2.78	7.51	2.88	7.28	2.84	7.29	2.86	7.21	2.88	7.09	2.92	-10.0	7.89	2.93	7.74	2.96	7.58	3.00	7.51	3.02	7.39	3.06
2.5+3.5+6.0+4.2		-15.0	6.67	2.78	7.51	2.88	7.28	2.84	7.29	2.86	7.21	2.88	7.09	2.92	-10.0	7.89	2.93	7.74	2.96	7.58	3.00	7.51	3.02	7.39	3.06
2.5+3.5+6.0+5.0		-15.0	6.67	2.78	7.51	2.88	7.28	2.84	7.29	2.86	7.21	2.88	7.09	2.92	-10.0	7.89	2.93	7.74	2.96	7.58	3.00	7.51	3.02	7.39	3.06
2.5+3.5+6.0+5.5		-15.0	6.67	2.78	7.51	2.88	7.28	2.84	7.29	2.86	7.21	2.88	7.09	2.92	-10.0	7.89	2.93	7.74	2.96	7.58	3.00	7.51	3.02	7.39	3.06

①	②	Indoor air temperature (°C DB)															
		16°C															

4 Capacity tables

4 - 2 Heating Capacity Tables

4

5MWXM90A9

Heating -50Hz 230V-

①	②	Indoor air temperature [°C DB]											
		16°C		18°C		20°C		21°C		22°C		24°C	
		TC	PI	TC	PI	TC	PI	TC	PI	TC	PI	TC	PI
3.5+3.5+4.2+4.2	-15.0	6.44	2.63	6.29	2.66	6.14	2.70	6.07	2.71	5.99	2.72	5.84	2.76
	-10.0	7.66	2.78	7.51	2.81	7.37	2.84	7.29	2.85	7.22	2.88	7.07	2.91
	-5.0	8.89	2.93	8.74	2.96	8.59	3.00	8.52	3.01	8.44	3.02	8.29	3.06
	0.0	10.11	3.08	9.96	3.10	9.81	3.14	9.74	3.15	9.66	3.18	9.51	3.20
	6.0	11.58	3.26	11.43	3.28	11.28	3.32	11.21	3.33	11.13	3.36	10.97	3.38
	10.0	12.56	3.38	12.40	3.40	12.25	3.44	12.18	3.45	12.10	3.47	11.95	3.50
15.0	13.77	3.52	13.62	3.56	13.47	3.58	13.40	3.61	13.33	3.62	13.18	3.65	

Symbols

- TC: Total capacity [kW]
- PI: Power input [kW]
- ① Indoor unit combinations
- ② Outdoor air temperature [°C WB]

4D155724

5MWXM90A9

Heating -50Hz 230V-

①	②	Indoor air temperature [°C DB]											
		16°C		18°C		20°C		21°C		22°C		24°C	
		TC	PI	TC	PI	TC	PI	TC	PI	TC	PI	TC	PI
1.5	-15.0	2.67	0.85	2.62	0.80	2.58	0.90	2.55	0.91	2.53	0.91	2.48	0.93
	-10.0	3.05	0.93	3.00	0.95	2.95	0.95	2.93	0.95	2.91	0.96	2.86	0.97
	-5.0	3.42	0.98	3.38	0.99	3.33	1.00	3.31	1.00	3.28	1.01	3.24	1.02
	0.0	3.80	1.03	3.75	1.04	3.71	1.05	3.68	1.06	3.66	1.06	3.62	1.07
	6.0	4.25	1.09	4.21	1.10	4.16	1.11	4.14	1.11	4.11	1.11	4.07	1.12
	10.0	4.55	1.12	4.51	1.13	4.46	1.13	4.44	1.14	4.42	1.14	4.37	1.17
2.0	15.0	4.91	1.17	4.85	1.18	4.83	1.19	4.81	1.20	4.79	1.21	4.75	1.22
	-15.0	2.85	0.96	2.80	0.97	2.76	0.98	2.73	0.99	2.71	0.99	2.65	1.00
	-10.0	3.24	1.00	3.19	1.02	3.13	1.03	3.11	1.03	3.09	1.04	3.04	1.05
	-5.0	3.61	1.06	3.57	1.07	3.52	1.07	3.50	1.08	3.47	1.09	3.43	1.10
	0.0	4.00	1.11	3.94	1.12	3.91	1.13	3.88	1.13	3.86	1.13	3.82	1.15
	6.0	4.58	1.17	4.52	1.18	4.46	1.19	4.43	1.19	4.40	1.20	4.34	1.20
2.5	10.0	4.97	1.20	4.91	1.21	4.85	1.21	4.82	1.22	4.79	1.24	4.73	1.25
	15.0	5.45	1.26	5.39	1.26	5.33	1.27	5.26	1.28	5.20	1.29	4.90	1.30
	-15.0	3.00	1.07	2.95	1.07	2.89	1.06	2.86	1.09	2.83	1.09	2.77	1.11
	-10.0	3.49	1.11	3.43	1.13	3.37	1.14	3.34	1.14	3.31	1.15	3.26	1.15
	-5.0	3.97	1.16	3.91	1.17	3.86	1.18	3.83	1.19	3.80	1.20	3.73	1.21
	0.0	4.45	1.22	4.39	1.22	4.33	1.23	4.30	1.24	4.27	1.24	4.21	1.26
3.5	6.0	5.03	1.28	4.97	1.29	4.91	1.29	4.88	1.29	4.85	1.30	4.79	1.31
	10.0	5.42	1.31	5.36	1.32	5.30	1.32	5.27	1.33	5.24	1.35	5.18	1.36
	15.0	5.90	1.37	5.84	1.37	5.77	1.38	5.74	1.38	5.64	1.40	5.25	1.41
	-15.0	3.05	1.03	2.98	1.05	2.91	1.06	2.87	1.06	2.84	1.07	2.77	1.09
	-10.0	3.63	1.10	3.56	1.12	3.49	1.12	3.46	1.13	3.42	1.14	3.35	1.16
	-5.0	4.21	1.17	4.14	1.18	4.07	1.19	4.04	1.20	4.00	1.21	3.93	1.23
4.2	0.0	4.80	1.53	4.73	1.55	4.66	1.56	4.62	1.57	4.59	1.58	4.52	1.59
	6.0	5.49	1.61	5.42	1.63	5.35	1.65	5.28	1.65	5.13	1.66	4.91	1.67
	10.0	5.96	1.67	5.73	1.68	5.48	1.69	5.44	1.70	5.41	1.71	5.34	1.71
	15.0	6.16	1.68	6.10	1.69	6.03	1.70	6.00	1.71	5.96	1.71	5.90	1.72
	-15.0	3.91	2.12	3.84	2.15	3.77	2.16	3.73	2.17	3.70	2.18	3.63	2.21
	-10.0	4.48	2.22	4.41	2.25	4.34	2.26	4.31	2.27	4.27	2.28	4.20	2.31
5.0	-5.0	5.07	2.32	5.00	2.35	4.92	2.36	4.89	2.37	4.85	2.39	4.78	2.41
	0.0	5.65	2.42	5.58	2.45	5.51	2.46	5.47	2.47	5.44	2.49	5.37	2.51
	6.0	6.34	2.54	6.27	2.56	6.20	2.59	6.13	2.60	5.98	2.61	5.68	2.62
	10.0	6.81	2.62	6.58	2.64	6.27	2.65	6.24	2.66	6.21	2.67	6.14	2.69
	15.0	6.96	2.64	6.90	2.65	6.83	2.66	6.80	2.67	6.76	2.69	6.70	2.70
	-15.0	6.00	3.74	5.89	3.76	5.79	3.79	5.74	3.80	5.69	3.82	5.59	3.86
6.0	-10.0	6.84	3.87	6.74	3.90	6.64	3.92	6.59	3.94	6.54	3.96	6.43	3.99
	-5.0	7.69	4.00	7.59	4.03	7.49	4.07	7.44	4.08	7.35	4.06	7.02	3.86
	0.0	8.35	3.98	8.02	3.82	7.68	3.64	7.52	3.56	7.50	3.48	7.45	3.32
	6.0	8.86	3.44	8.45	3.31	7.85	3.18	7.77	3.11	7.68	3.05	7.60	2.91
	10.0	9.24	3.19	8.85	3.07	7.98	2.97	7.85	2.90	7.73	2.85	7.69	2.73
	15.0	9.49	2.95	9.22	2.85	8.08	2.74	8.01	2.70	7.88	2.65	7.82	2.54
15+1.5	-15.0	6.00	3.74	5.89	3.76	5.79	3.79	5.74	3.80	5.69	3.82	5.59	3.86
	-10.0	6.84	3.87	6.74	3.90	6.64	3.92	6.59	3.94	6.54	3.96	6.43	3.99
	-5.0	7.69	4.00	7.59	4.03	7.49	4.07	7.44	4.08	7.35	4.06	7.02	3.86
	0.0	8.35	3.98	8.02	3.82	7.68	3.64	7.52	3.56	7.50	3.48	7.45	3.32
	6.0	8.86	3.44	8.45	3.31	7.85	3.18	7.77	3.11	7.68	3.05	7.60	2.91
	10.0	9.24	3.19	8.85	3.07	7.98	2.97	7.85	2.90	7.73	2.85	7.69	2.73
15+2.0	15.0	9.49	2.95	9.22	2.85	8.08	2.74	8.01	2.70	7.88	2.65	7.82	2.54
	-15.0	7.10	4.09	6.99	4.11	6.89	4.14	6.84	4.15	6.79	4.16	6.69	4.20
	-10.0	7.94	4.21	7.84	4.24	7.74	4.26	7.69	4.28	7.64	4.30	7.53	4.33
	-5.0	8.78	4.34	8.68	4.36	8.58	4.40	8.44	4.41	8.44	4.39	8.11	4.20
	0.0	9.44	4.31	9.11	4.16	8.77	4.00	8.61	3.93	8.59	3.85	8.54	3.70
	6.0	9.94	3.82	9.54	3.69	9.12	3.57	9.08	3.50	9.04	3.44	8.96	3.32
15+2.5	10.0	10.33	3.58	9.93	3.47	9.54	3.37	9.60	3.30	9.53	3.25	9.16	3.14
	15.0	10.57	3.35	10.31	3.25	9.89	3.15	9.71	3.12	9.55	3.07	9.20	2.97

Symbols

- TC: Total capacity [kW]
- PI: Power input [kW]
- ① Indoor unit combinations
- ② Outdoor air temperature [°C WB]

4D155724

4 Capacity tables

4 - 2 Heating Capacity Tables

4

5MWXM90A9

①		②		Indoor air temperature [°C DB]																	
				16°C			18°C			20°C			21°C			22°C			24°C		
				T	C	PI	T	C	PI	T	C	PI	T	C	PI	T	C	PI	T	C	PI
1.5+6.0	-15.0	6.27	3.28	6.14	3.32	6.02	3.35	5.96	3.38	5.89	3.38	5.77	3.42								
		7.31	3.44	7.18	3.48	7.06	3.51	6.99	3.53	6.93	3.54	6.80	3.59								
		8.48	3.60	8.34	3.65	8.20	3.68	8.13	3.69	8.06	3.71	7.92	3.75								
		9.63	3.76	9.49	3.79	9.35	3.84	9.28	3.85	9.21	3.87	9.06	3.91								
		11.02	3.98	10.88	4.00	10.74	4.03	10.67	4.06	10.60	4.08	10.46	4.11								
		10	11.96	4.00	11.81	4.12	11.67	4.17	11.60	4.18	11.52	4.19	11.21	4.24							
		15	13.10	4.25	12.96	4.28	12.81	4.33	12.19	4.18	11.83	4.40	11.23	3.66							
		-10	6.26	3.22	6.13	3.26	6.00	3.29	5.94	3.31	5.88	3.32	5.76	3.36							
		-10	7.33	3.38	7.19	3.42	7.00	3.45	6.94	3.47	6.88	3.48	6.76	3.53							
		-5.0	8.49	3.54	8.35	3.58	8.21	3.61	8.14	3.63	8.07	3.64	7.93	3.69							
0.0	9.64	3.70	9.50	3.73	9.36	3.76	9.29	3.78	9.22	3.80	9.08	3.85									
5.0	11.03	3.89	10.89	3.94	10.75	3.97	10.68	3.98	10.61	4.00	10.47	4.04									
10	11.96	4.02	11.82	4.05	11.68	4.10	11.61	4.11	11.53	4.13	11.22	4.17									
15	13.11	4.19	12.97	4.22	12.82	4.26	12.20	4.11	11.84	3.94	11.24	3.60									
-10	4.61	2.35	4.50	2.38	4.40	2.41	4.34	2.42	4.29	2.43	4.19	2.46									
-10	5.47	2.47	5.36	2.50	5.26	2.52	5.21	2.53	5.15	2.55	5.05	2.57									
-5.0	6.33	2.59	6.23	2.61	6.12	2.63	6.07	2.65	6.02	2.66	5.91	2.68									
0.0	7.21	2.71	7.10	2.73	6.98	2.76	6.93	2.77	6.88	2.78	6.77	2.81									
5.0	8.24	2.84	8.14	2.87	8.03	2.88	7.98	2.91	7.92	2.92	7.82	2.94									
10	8.93	2.93	8.83	2.96	8.72	2.99	8.67	3.01	8.61	3.02	8.51	3.04									
15	9.79	3.05	9.69	3.08	9.58	3.10	9.53	3.12	9.48	3.13	9.37	3.02									
-10	4.84	2.40	4.73	2.44	4.63	2.46	4.57	2.47	4.52	2.49	4.42	2.51									
-10	5.71	2.52	5.60	2.55	5.50	2.58	5.45	2.59	5.39	2.60	5.29	2.63									
-5.0	6.59	2.64	6.48	2.66	6.37	2.69	6.32	2.70	6.27	2.71	6.16	2.74									
0.0	7.47	2.76	7.36	2.79	7.24	2.82	7.19	2.83	7.14	2.84	7.03	2.87									
5.0	8.51	2.90	8.41	2.93	8.30	2.95	8.25	2.97	8.19	2.98	8.09	3.00									
10	9.21	2.99	9.11	3.02	9.00	3.05	8.95	3.07	8.89	3.08	8.78	3.11									
15	10.08	3.12	9.98	3.14	9.87	3.17	9.82	3.18	9.77	3.19	9.66	3.22									
-15.0	5.07	2.50	4.95	2.53	4.83	2.55	4.78	2.58	4.72	2.59	4.60	2.62									
-10.0	6.02	2.63	5.90	2.67	5.79	2.69	5.73	2.71	5.67	2.73	5.55	2.76									
-5.0	6.97	2.77	6.85	2.81	6.74	2.83	6.68	2.85	6.62	2.86	6.50	2.90									
0.0	7.92	2.91	7.81	2.95	7.69	2.98	7.63	2.99	7.56	3.00	7.45	3.04									
5.0	8.06	3.08	7.95	3.12	7.83	3.14	7.77	3.16	7.71	3.17	7.60	3.21									
10	9.12	3.19	9.01	3.22	8.89	3.26	8.83	3.27	8.77	3.28	8.65	3.31									
15	10.78	3.33	10.66	3.36	10.54	3.40	10.48	3.41	10.42	3.42	10.25	3.44									
-15.0	5.62	2.57	5.52	2.60	5.41	2.62	5.36	2.64	5.31	2.66	5.21	2.68									
-10.0	6.45	2.69	6.35	2.73	6.24	2.75	6.19	2.76	6.14	2.79	6.04	2.81									
-5.0	7.28	2.82	7.18	2.86	7.07	2.89	7.02	2.89	6.97	2.90	6.87	2.93									
0.0	8.21	2.95	8.10	2.99	7.98	3.01	7.92	3.02	7.86	3.03	7.70	3.07									
5.0	9.34	3.10	9.23	3.14	9.11	3.16	9.05	3.18	8.99	3.19	8.88	3.22									
10	10.09	3.21	9.98	3.23	9.86	3.27	9.81	3.28	9.75	3.29	9.63	3.32									
15	11.04	3.34	10.92	3.36	10.81	3.40	10.75	3.41	10.69	3.42	10.52	3.43									
-15.0	6.16	3.14	6.02	3.18	5.88	3.22	5.81	3.24	5.74	3.26	5.60	3.29									
-10.0	7.31	3.31	7.17	3.35	7.03	3.39	6.96	3.42	6.89	3.43	6.75	3.47									
-5.0	8.47	3.43	8.33	3.44	8.19	3.48	8.15	3.49	8.05	3.50	7.91	3.54									
0.0	9.63	3.67	9.48	3.71	9.34	3.75	9.27	3.76	9.20	3.79	9.06	3.82									
5.0	11.02	3.88	10.88	3.92	10.74	3.96	10.67	3.97	10.59	3.99	10.45	4.03									
10	11.96	4.02	11.81	4.06	11.67	4.10	11.59	4.11	11.52	4.14	11.21	4.17									
15	13.10	4.19	12.96	4.23	12.81	4.26	12.19	4.28	11.86	4.31	11.23	4.34									

①		②		Indoor air temperature [°C DB]																	
				16°C			18°C			20°C			21°C			22°C			24°C		
				T	C	PI	T	C	PI	T	C	PI	T	C	PI	T	C	PI	T	C	PI
2.0+6.0	-15.0	6.32	3.32	6.18	3.38	6.04	3.39	5.97	3.41	5.85	3.42	5.73	3.47								
		7.47	3.48	7.32	3.53	7.18	3.56	7.11	3.57	7.04	3.59	6.90	3.63								
		8.62	3.65	8.48	3.69	8.34	3.72	8.27	3.74	8.20	3.75	8.06	3.80								
		9.77	3.81	9.63	3.84	9.49	3.88	9.41	3.90	9.34	3.92	9.20	3.96								
		11.15	4.01	11.01	4.05	10.87	4.08	10.80	4.10	10.73	4.11	10.59	4.16								
		10	12.08	4.14	11.94	4.17	11.80	4.22	11.73	4.23	11.66	4.25	11.34	4.29							
		15	13.22	4.31	13.08	4.34	12.64	4.38	12.32	4.23	11.99	4.06	11.36	3.71							
		-10	6.96	3.63	6.82	3.67	6.70	3.70	6.64	3.72	6.58	3.73	6.46	3.78							
		-10	7.94	3.79	7.82	3.84	7.70	3.87	7.64	3.88	7.58	3.90	7.46	3.94							
		-5.0	8.93	3.96	8.81	4.00	8.69	4.03	8.63	4.05	8.57	4.06	8.45	4.11							
0.0	9.93	4.12	9.81	4.15	9.69	4.20	9.63	4.21	9.57	4.23	9.45	4.27									
5.0	11.29	4.32	11.15	4.36	11.01	4.39	10.94	4.41	10.87	4.42	10.64	4.47									
10	12.22	4.45	12.08	4.48	11.94	4.52	11.87	4.54	11.79	4.55	11.43	4.60									
15	13.37	4.61	13.23	4.64	12.78	4.69	12.60	4.54	12.54	4.36	11.91	4.02									
-10	5.15	2.47	5.04	2.49	4.94	2.52	4.88	2.53	4.83	2.54	4.73	2.57									
-10	6.02	2.58	5.91	2.61	5.81	2.63	5.76	2.65	5.70	2.66	5.60	2.68									
-5.0	6.88	2.71	6.78	2.73	6.67	2.76	6.62	2.77	6.57	2.78	6.46	2.81									
0.0	7.75	2.82	7.64	2.85	7.53	2.87	7.48	2.89	7.43	2.90	7.33	2.92									
5.0	8.78	2.96	8.68	2.99	8.57	3.01	8.52	3.02	8.46	3.04	8.36	3.06									
10	9.47	3.05	9.37	3.08	9.26	3.10	9.21	3.11	9.15	3.13	9.05	3.15									
15	10.33	3.18	10.23	3.20	10.12	3.23	10.07	3.24	10.02	3.25	9.91	3.28									
-15.0	5.67	2.64	5.57	2.67	5.46	2.69	5.41	2.72	5.36	2.73	5.26	2.75									
-10.0	6.51	2.76	6.41	2.80	6.30	2.83	6.25	2.83	6.20	2.86	6.10	2.87									
-5.0	7.35	2.89	7.25	2.92	7.14	2.95	7.09	2.97	7.04	2.98	6.94	3.02									
0.0	8.31	3.03	8.20	3.07	8.08	3.09	8.02	3.12	7.96	3.13	7.78	3.16									
5.0	9.45	3.21	9.34	3.24	9.22	3.27	9.16	3.29	9.10	3.31	8.99	3.33									
10	10.21	3.32	10.10	3.36	9.98	3.40	9.93	3.41	9.87	3.42	9.75	3.43									
15	11.17	3.47	11.05	3.50	10.94	3.49	10.88	3.52	10.82	3.55	10.65	3.51									
-15.0	6.19	2.67	6.0																		

4 Capacity tables

4 - 2 Heating Capacity Tables

5MWXM90A9

①		②		Indoor air temperature (°C DB)																																			
				16°C			18°C			20°C			21°C			24°C																							
				TC	PI	TI	TC	PI	TI	TC	PI	TI	TC	PI	TI	TC	PI	TI																					
kW	kW	kW	kW	kW	kW	kW	kW	kW	kW	kW	kW	kW	kW	kW	kW	kW	kW																						
																		6.0+7.1	-15.0	6.68	3.06	6.53	3.10	6.38	3.15	6.31	3.18	6.24	3.19	6.10	3.23	-10.0	7.05	2.84	6.91	2.87	6.76	2.91	6.69

Symbols
 TC: Total capacity (kW)
 PI: Power input (kW)
 TI: Indoor unit combinations
 ⊗: Outdoor air temperature (°C WB)

4D155724

5MWXM90A9

①		②		Indoor air temperature (°C DB)																																	
				16°C			18°C			20°C			21°C			24°C																					
				TC	PI	TI	TC	PI	TI	TC	PI	TI	TC	PI	TI	TC	PI	TI																			
kW	kW	kW	kW	kW	kW	kW	kW	kW	kW	kW	kW	kW	kW	kW	kW	kW	kW																				
																		1.5+2.0+5.0	-15.0	6.28	2.91	6.14	2.95	6.00	2.89	5.93	2.90	5.85	2.92	5.71	2.96	-10.0	7.46	2.99	7.32	3.01	7.17

Symbols
 TC: Total capacity (kW)
 PI: Power input (kW)
 TI: Indoor unit combinations
 ⊗: Outdoor air temperature (°C WB)

4D155724

4 Capacity tables

4 - 2 Heating Capacity Tables

5MWXM90A9

Heating 50Hz 230V

①	②	Indoor air temperature [°C DB]																																					
		16°C				18°C				20°C				22°C				24°C																					
		TC	PI	TC	PI	TC	PI	TC	PI	TC	PI	TC	PI	TC	PI	TC	PI	TC	PI	TC	PI																		
1.5+4+2+4.2	-15.0	6.27	2.98	6.13	3.02	5.99	3.06	5.92	3.07	5.84	3.10	5.70	3.14	-10.0	7.44	3.15	7.30	3.19	7.16	3.22	7.09	3.24	7.01	3.26	6.87	3.30	-5.0	8.61	3.31	8.47	3.35	8.33	3.39	8.25	3.40	8.18	3.43	8.04	3.46
1.5+4+2+5.0	0.0	9.85	3.44	9.80	3.48	9.85	3.52	9.58	3.53	9.50	3.56	9.35	3.60	6.0	11.20	3.67	11.03	3.71	10.81	3.75	10.64	3.78	10.50	3.81	10.38	3.83	10.28	3.84	10.19	3.85	10.11	3.87	10.04	3.89	9.98	3.91	9.92	3.93	
	10.0	12.13	3.82	11.99	3.84	11.85	3.88	11.73	3.91	11.70	3.92	11.56	3.96	15.0	13.30	3.96	13.16	4.01	13.02	4.05	12.94	4.07	12.87	4.09	12.73	4.12	-10.0	6.35	2.90	6.20	2.94	6.05	2.98	5.98	2.99	5.91	3.01	5.77	3.05
	-10.0	7.52	3.08	7.37	3.12	7.23	3.16	7.16	3.17	7.09	3.19	6.94	3.23	-5.0	8.73	3.25	8.55	3.29	8.41	3.33	8.34	3.36	8.27	3.37	8.12	3.41	0.0	9.95	3.44	9.80	3.48	9.85	3.52	9.58	3.53	9.50	3.56	9.35	3.60
	6.0	11.40	3.65	11.26	3.69	11.09	3.73	11.01	3.74	10.94	3.77	10.79	3.81	10.0	12.39	3.79	12.24	3.83	12.08	3.87	12.01	3.89	11.93	3.91	11.78	3.95	15.0	13.63	3.98	13.48	4.01	13.33	4.05	13.25	4.07	13.17	4.09	13.02	4.13
	-10.0	6.46	2.86	6.30	2.90	6.15	2.94	6.08	2.95	6.00	2.98	5.91	3.02	-10.0	7.70	3.04	7.55	3.08	7.39	3.12	7.32	3.13	7.24	3.15	7.09	3.19	-5.0	8.94	3.21	8.79	3.25	8.64	3.29	8.56	3.32	8.48	3.33	8.33	3.37
	0.0	10.18	3.40	10.03	3.44	9.88	3.48	9.81	3.49	9.72	3.52	9.57	3.56	6.0	11.67	3.61	11.52	3.65	11.37	3.69	11.29	3.70	11.22	3.73	11.07	3.77	10.0	12.67	3.75	12.52	3.79	12.36	3.83	12.29	3.85	12.21	3.87	12.06	3.91
	15.0	13.91	3.94	13.76	3.96	13.61	4.00	13.53	4.03	13.45	4.04	13.30	4.08	-10.0	6.47	2.82	6.32	2.85	6.17	2.89	6.10	2.91	6.02	2.93	5.93	2.97	-10.0	7.71	3.00	7.56	3.04	7.41	3.08	7.34	3.09	7.26	3.10	7.11	3.14
	0.0	8.85	3.17	8.60	3.21	8.65	3.25	8.58	3.27	8.50	3.29	8.34	3.33	6.0	10.19	3.35	10.04	3.39	9.88	3.43	9.81	3.44	9.73	3.47	9.58	3.51	10.0	11.58	3.56	11.52	3.60	11.37	3.64	11.29	3.65	11.22	3.68	11.07	3.72
	10.0	12.67	3.71	12.52	3.75	12.36	3.78	12.29	3.80	12.21	3.82	12.06	3.86	15.0	13.91	3.89	13.76	3.92	13.61	3.95	13.53	3.96	13.45	3.99	13.30	4.03	-10.0	6.47	2.82	6.32	2.85	6.17	2.89	6.10	2.91	6.02	2.93	5.93	2.97
	0.0	7.71	3.00	7.56	3.04	7.41	3.08	7.34	3.09	7.26	3.10	7.11	3.14	6.0	8.85	3.17	8.60	3.21	8.65	3.25	8.58	3.27	8.50	3.29	8.34	3.33	6.0	10.19	3.35	10.04	3.39	9.88	3.43	9.81	3.44	9.73	3.47	9.58	3.51
15.0	13.91	3.94	13.76	3.96	13.61	4.00	13.53	4.03	13.45	4.04	13.30	4.08	0.0	10.19	3.35	10.04	3.39	9.88	3.43	9.81	3.44	9.73	3.47	9.58	3.51	6.0	10.19	3.35	10.04	3.39	9.88	3.43	9.81	3.44	9.73	3.47	9.58	3.51	
10.0	12.67	3.71	12.52	3.75	12.36	3.78	12.29	3.80	12.21	3.82	12.06	3.86	-10.0	6.47	2.82	6.32	2.85	6.17	2.89	6.10	2.91	6.02	2.93	5.93	2.97	15.0	13.91	3.89	13.76	3.92	13.61	3.95	13.53	3.96	13.45	3.99	13.30	4.03	
0.0	7.71	3.00	7.56	3.04	7.41	3.08	7.34	3.09	7.26	3.10	7.11	3.14	-10.0	7.90	3.11	7.75	3.15	7.59	3.19	7.52	3.22	7.36	3.26	7.20	3.30	6.0	8.85	3.17	8.60	3.21	8.65	3.25	8.58	3.27	8.50	3.29	8.34	3.33	
10.0	12.67	3.71	12.52	3.75	12.36	3.78	12.29	3.80	12.21	3.82	12.06	3.86	0.0	9.15	3.23	9.02	3.25	8.87	3.29	8.80	3.31	8.72	3.33	8.56	3.37	6.0	10.19	3.35	10.04	3.39	9.88	3.43	9.81	3.44	9.73	3.47	9.58	3.51	
15.0	13.91	3.89	13.76	3.92	13.61	3.95	13.53	3.96	13.45	3.99	13.30	4.03	-10.0	6.47	2.82	6.32	2.85	6.17	2.89	6.10	2.91	6.02	2.93	5.93	2.97	6.0	10.19	3.35	10.04	3.39	9.88	3.43	9.81	3.44	9.73	3.47	9.58	3.51	
0.0	7.71	3.00	7.56	3.04	7.41	3.08	7.34	3.09	7.26	3.10	7.11	3.14	6.0	8.85	3.17	8.60	3.21	8.65	3.25	8.58	3.27	8.50	3.29	8.34	3.33	6.0	10.19	3.35	10.04	3.39	9.88	3.43	9.81	3.44	9.73	3.47	9.58	3.51	
10.0	12.67	3.71	12.52	3.75	12.36	3.78	12.29	3.80	12.21	3.82	12.06	3.86	15.0	13.91	3.89	13.76	3.92	13.61	3.95	13.53	3.96	13.45	3.99	13.30	4.03	-10.0	6.47	2.82	6.32	2.85	6.17	2.89	6.10	2.91	6.02	2.93	5.93	2.97	
0.0	7.71	3.00	7.56	3.04	7.41	3.08	7.34	3.09	7.26	3.10	7.11	3.14	6.0	8.85	3.17	8.60	3.21	8.65	3.25	8.58	3.27	8.50	3.29	8.34	3.33	6.0	10.19	3.35	10.04	3.39	9.88	3.43	9.81	3.44	9.73	3.47	9.58	3.51	
10.0	12.67	3.71	12.52	3.75	12.36	3.78	12.29	3.80	12.21	3.82	12.06	3.86	15.0	13.91	3.89	13.76	3.92	13.61	3.95	13.53	3.96	13.45	3.99	13.30	4.03	-10.0	6.47	2.82	6.32	2.85	6.17	2.89	6.10	2.91	6.02	2.93	5.93	2.97	
0.0	7.71	3.00	7.56	3.04	7.41	3.08	7.34	3.09	7.26	3.10	7.11	3.14	6.0	8.85	3.17	8.60	3.21	8.65	3.25	8.58	3.27	8.50	3.29	8.34	3.33	6.0	10.19	3.35	10.04	3.39	9.88	3.43	9.81	3.44	9.73	3.47	9.58	3.51	
10.0	12.67	3.71	12.52	3.75	12.36	3.78	12.29	3.80	12.21	3.82	12.06	3.86	15.0	13.91	3.89	13.76	3.92	13.61	3.95	13.53	3.96	13.45	3.99	13.30	4.03	-10.0	6.47	2.82	6.32	2.85	6.17	2.89	6.10	2.91	6.02	2.93	5.93	2.97	
0.0	7.71	3.00	7.56	3.04	7.41	3.08	7.34	3.09	7.26	3.10	7.11	3.14	6.0	8.85	3.17	8.60	3.21	8.65	3.25	8.58	3.27	8.50	3.29	8.34	3.33	6.0	10.19	3.35	10.04	3.39	9.88	3.43	9.81	3.44	9.73	3.47	9.58	3.51	
10.0	12.67	3.71	12.52	3.75	12.36	3.78	12.29	3.80	12.21	3.82	12.06	3.86	15.0	13.91	3.89	13.76	3.92	13.61	3.95	13.53	3.96	13.45	3.99	13.30	4.03	-10.0	6.47	2.82	6.32	2.85	6.17	2.89	6.10	2.91	6.02	2.93	5.93	2.97	
0.0	7.71	3.00	7.56	3.04	7.41	3.08	7.34	3.09	7.26	3.10	7.11	3.14	6.0	8.85	3.17	8.60	3.21	8.65	3.25	8.58	3.27	8.50	3.29	8.34	3.33	6.0	10.19	3.35	10.04	3.39	9.88	3.43	9.81	3.44	9.73	3.47	9.58	3.51	
10.0	12.67	3.71	12.52	3.75	12.36	3.78	12.29	3.80	12.21	3.82	12.06	3.86	15.0	13.91	3.89	13.76	3.92	13.61	3.95	13.53	3.96	13.45	3.99	13.30	4.03	-10.0	6.47	2.82	6.32	2.85	6.17	2.89	6.10	2.91	6.02	2.93	5.93	2.97	
0.0	7.71	3.00	7.56	3.04	7.41	3.08	7.34	3.09	7.26	3.10	7.11	3.14	6.0	8.85	3.17	8.60	3.21	8.65	3.25	8.58	3.27	8.50	3.29	8.34	3.33	6.0	10.19	3.35	10.04	3.39	9.88	3.43	9.81	3.44	9.73	3.47	9.58	3.51	
10.0	12.67	3.71	12.52	3.75	12.36	3.78	12.29	3.80	12.21	3.82	12.06	3.86	15.0	13.91	3.89	13.76	3.92	13.61	3.95	13.53	3.96	13.45	3.99	13.30	4.03	-10.0	6.47	2.82	6.32	2.85	6.17	2.89	6.10	2.91	6.02	2.93	5.93	2.97	
0.0	7.71	3.00	7.56	3.04	7.41	3.08	7.34	3.09	7.26	3.10	7.11	3.14	6.0	8.85	3.17	8.60	3.21	8.65	3.25	8.58	3.27	8.50	3.29	8.34	3.33	6.0	10.19	3.35	10.04	3.39	9.88	3.43	9.81	3.44	9.73	3.47	9.58	3.51	
10.0	12.67	3.71	12.52	3.75	12.36	3.78	12.29	3.80	12.21	3.82	12.06	3.86	15.0	13.91	3.89	13.76	3.92	13.61	3.95	13.53	3.96	13.45	3.99	13.30	4.03	-10.0	6.47	2.82	6.32	2.85	6.17	2.89	6.10	2.91	6.02	2.93	5.93	2.97	
0.0	7.71	3.00	7.56	3.04	7.41	3.08	7.34	3.09	7.26	3.10	7.11	3.14	6.0	8.85	3.17	8.60	3.21	8.65	3.25	8.58	3.27	8.50	3.29	8.34	3.33	6.0	10.19	3.35	10.04	3.39	9.88	3.43	9.81	3.44	9.73	3.47	9.58	3.51	
10.0	12.67	3.71	12.52	3.75	12.36	3.78	12.29	3.80	12.21	3.82	12.06	3.86	15.0	13.91	3.89	13.76	3.92	13.61	3.95	13.53	3.96	13.45	3.99	13.30	4.03	-10.0	6.47	2.82	6.32	2.85	6.17	2.89	6.10	2.91	6.02	2.93	5.93	2.97	
0.0	7.71	3.00	7.56	3.04	7.41	3.08	7.34	3.09	7.26	3.10	7.11	3.14	6.0	8.85	3.17	8.60																							

4 Capacity tables

4 - 2 Heating Capacity Tables

5MWXM90A9

①		②		Indoor air temperature [°C DB]												①		②		Indoor air temperature [°C DB]																							
				16°C				18°C				20°C				22°C								16°C				18°C				20°C				22°C				24°C			
TC		PI		TC		PI		TC		PI		TC		PI		TC		PI		TC		PI		TC		PI		TC		PI		TC		PI		TC		PI					
kW		kW		kW		kW		kW		kW		kW		kW		kW		kW		kW		kW		kW		kW		kW		kW		kW		kW		kW		kW					
2.0+4.2+5.0	-15.0	6.49	3.03	6.34	3.07	6.19	3.10	6.12	3.12	6.04	3.14	5.95	3.18																														
	-10.0	7.72	3.21	7.57	3.24	7.42	3.28	7.35	3.29	7.27	3.31	7.12	3.34																														
	-5.0	8.95	3.37	8.80	3.41	8.65	3.44	8.58	3.47	8.50	3.48	8.35	3.52																														
	0.0	10.19	3.54	10.04	3.58	9.89	3.62	9.82	3.65	9.74	3.66	9.59	3.70																														
	6.0	11.67	3.75	11.52	3.78	11.37	3.82	11.29	3.83	11.22	3.86	11.07	3.93																														
2.0+4.2+6.0	10.0	12.66	3.88	12.51	3.92	12.35	3.96	12.28	3.97	12.20	4.00	12.05	4.03																														
	15.0	13.89	4.06	13.74	4.08	13.59	4.12	13.51	4.15	13.43	4.16	13.28	4.20																														
	-15.0	6.50	2.86	6.35	2.90	6.20	2.94	6.13	2.95	6.05	2.98	5.96	3.02																														
	-10.0	7.73	3.04	7.58	3.08	7.43	3.12	7.36	3.13	7.28	3.15	7.13	3.19																														
	-5.0	8.96	3.21	8.81	3.25	8.66	3.29	8.59	3.32	8.51	3.33	8.36	3.37																														
2.0+4.2+7.1	0.0	10.19	3.40	10.04	3.44	9.89	3.48	9.82	3.49	9.74	3.52	9.59	3.56																														
	6.0	11.67	3.61	11.52	3.65	11.37	3.69	11.29	3.70	11.22	3.73	11.07	3.77																														
	10.0	12.66	3.75	12.51	3.79	12.35	3.83	12.28	3.85	12.20	3.87	12.05	3.91																														
	15.0	13.89	3.94	13.74	3.96	13.59	4.00	13.51	4.03	13.43	4.04	13.28	4.08																														
	-15.0	6.59	2.85	6.44	2.89	6.29	2.93	6.22	2.94	6.14	2.97	6.05	3.01																														
2.0+5.0+5.0	-10.0	7.84	3.04	7.68	3.07	7.53	3.11	7.46	3.13	7.38	3.14	7.23	3.18																														
	-5.0	9.08	3.21	8.93	3.25	8.78	3.29	8.70	3.31	8.62	3.33	8.47	3.37																														
	0.0	10.32	3.39	10.17	3.43	10.02	3.47	9.95	3.49	9.87	3.51	9.71	3.55																														
	6.0	11.81	3.61	11.66	3.64	11.51	3.68	11.43	3.70	11.36	3.72	11.21	3.76																														
	10.0	12.81	3.75	12.66	3.79	12.50	3.83	12.43	3.84	12.35	3.87	12.20	3.91																														
2.0+5.0+6.0	15.0	14.06	3.94	13.91	3.96	13.75	4.00	13.67	4.03	13.59	4.04	13.44	4.08																														
	-15.0	6.35	2.90	6.21	2.93	6.06	2.97	5.99	2.99	5.91	3.01	5.77	3.04																														
	-10.0	7.56	3.06	7.42	3.10	7.28	3.13	7.19	3.15	7.11	3.17	6.97	3.21																														
	-5.0	8.76	3.23	8.62	3.26	8.47	3.30	8.40	3.31	8.32	3.34	8.18	3.37																														
	0.0	9.97	3.39	9.83	3.43	9.68	3.46	9.61	3.48	9.53	3.50	9.39	3.53																														
2.0+5.0+7.1	6.0	11.42	3.58	11.28	3.62	11.13	3.66	11.06	3.67	10.98	3.70	10.84	3.74																														
	10.0	12.39	3.72	12.25	3.75	12.09	3.79	12.02	3.81	11.94	3.83	11.80	3.87																														
	15.0	13.59	3.88	13.45	3.92	13.30	3.96	13.23	3.97	13.15	3.99	13.01	4.02																														
	-15.0	6.61	2.85	6.47	2.89	6.31	2.93	6.24	2.94	6.16	2.96	6.02	2.99																														
	-10.0	7.82	3.02	7.68	3.06	7.53	3.08	7.46	3.11	7.37	3.12	7.23	3.16																														
2.0+5.0+7.1	-5.0	9.03	3.19	8.89	3.22	8.74	3.25	8.67	3.27	8.59	3.29	8.45	3.33																														
	0.0	10.24	3.35	10.10	3.39	9.95	3.43	9.88	3.44	9.80	3.47	9.65	3.49																														
	6.0	11.70	3.54	11.56	3.58	11.41	3.62	11.33	3.64	11.25	3.66	11.11	3.70																														
	10.0	12.67	3.69	12.53	3.72	12.38	3.76	12.30	3.78	12.22	3.80	12.08	3.83																														
	15.0	13.88	3.85	13.74	3.89	13.59	3.93	13.52	3.94	13.44	3.97	13.29	3.99																														
2.0+6.0+6.0	-15.0	6.63	2.81	6.48	2.85	6.33	2.88	6.26	2.90	6.18	2.92	6.04	2.95																														
	-10.0	7.83	2.98	7.69	3.02	7.54	3.04	7.47	3.07	7.39	3.08	7.25	3.12																														
	-5.0	9.04	3.15	8.90	3.17	8.75	3.21	8.68	3.23	8.60	3.25	8.46	3.29																														
	0.0	10.25	3.30	10.11	3.34	9.96	3.38	9.89	3.40	9.81	3.42	9.67	3.45																														
	6.0	11.70	3.50	11.56	3.54	11.41	3.58	11.34	3.59	11.26	3.62	11.12	3.66																														
2.5+2.5+4.2	10.0	12.67	3.65	12.53	3.67	12.37	3.71	12.30	3.74	12.22	3.75	12.08	3.79																														
	15.0	13.87	3.80	13.73	3.84	13.58	3.88	13.51	3.89	13.43	3.92	13.29	3.95																														
	-15.0	6.79	2.77	6.65	2.81	6.50	2.85	6.43	2.86	6.35	2.89	6.21	2.92																														
	-10.0	7.99	2.94	7.85	2.98	7.70	3.01																																				

4 Capacity tables

4 - 3 Cooling/Heating Capacity Tables

5MWXM68A9

Cooling 50Hz 230V

①	②	Indoor air temperature [°C WB]											
		14°C		16°C		18°C		19°C		22°C		24°C	
		TC	PI	TC	PI	TC	PI	TC	PI	TC	PI	TC	PI
		kW	kW	kW	kW	kW	kW	kW	kW	kW	kW	kW	
7.1	22.0	5,07	1,06	6,09	1,39	7,32	1,85	7,46	1,87	7,90	1,94	8,20	1,97
	25.0	5,07	1,14	6,09	1,50	7,14	1,93	7,29	1,95	7,72	2,01	8,01	2,05
	32.0	5,07	1,37	6,09	1,84	6,73	2,11	6,88	2,13	7,31	2,18	7,60	2,23
	35.0	5,07	1,49	6,09	2,02	6,55	2,19	6,70	2,21	7,14	2,27	7,43	2,31
	40.0	5,07	1,74	6,09	2,29	6,26	2,34	6,40	2,36	6,84	2,42	7,13	2,45
	43.0	5,07	1,93	5,77	2,32	6,02	2,32	6,14	2,32	6,49	2,32	6,72	2,32
	46.0	4,85	1,79	5,04	1,79	5,23	1,79	5,32	1,79	5,60	1,79	5,77	1,79
10.0	22.0	7,94	1,93	8,60	2,10	8,96	2,14	9,13	2,16	9,67	2,23	10,03	2,28
	25.0	7,94	2,08	8,39	2,18	8,74	2,22	8,92	2,25	9,45	2,31	9,80	2,36
	32.0	7,52	2,35	7,88	2,39	8,24	2,43	8,41	2,46	8,95	2,52	9,31	2,57
	35.0	7,30	2,44	7,66	2,49	8,02	2,53	8,20	2,55	8,73	2,62	9,09	2,66
	40.0	6,94	2,61	7,30	2,66	7,66	2,70	7,81	2,71	8,30	2,71	8,63	2,71
	43.0	6,30	2,17	6,59	2,17	6,87	2,17	7,00	2,17	7,41	2,17	7,67	2,17
	46.0	5,43	1,62	5,66	1,62	5,88	1,62	5,98	1,62	6,29	1,62	6,50	1,62

Heating 50Hz 230V

①	③	Indoor air temperature [°C DB]											
		16°C		18°C		20°C		21°C		22°C		24°C	
		TC	PI	TC	PI	TC	PI	TC	PI	TC	PI	TC	PI
		kW	kW	kW	kW	kW	kW	kW	kW	kW	kW	kW	
7.1	-15.0	5,77	2,36	5,70	2,38	5,63	2,40	5,59	2,41	5,55	2,42	5,41	2,44
	-10.0	6,41	2,48	6,34	2,51	6,26	2,53	6,23	2,54	6,19	2,55	6,11	2,57
	-5.0	7,25	2,63	7,18	2,66	7,10	2,69	7,06	2,70	7,03	2,71	6,95	2,73
	0.0	9,00	3,18	8,98	3,18	8,89	3,19	8,85	3,20	8,80	3,21	8,71	3,24
	6.0	10,06	3,30	10,05	3,31	10,00	3,32	9,96	3,33	9,91	3,35	9,82	3,37
	10.0	9,91	2,94	9,85	2,88	9,77	2,88	9,73	2,89	9,66	2,91	9,29	2,93
	15.0	9,77	2,48	9,70	2,49	9,41	2,37	9,24	2,35	9,08	2,37	8,74	2,38
10.0	-15.0	5,99	2,23	5,85	2,25	5,71	2,28	5,64	2,30	5,57	2,31	5,43	2,34
	-10.0	7,13	2,35	7,00	2,38	6,85	2,41	6,78	2,42	6,72	2,44	6,57	2,47
	-5.0	8,27	2,48	8,13	2,51	7,99	2,53	7,93	2,54	7,85	2,56	7,71	2,58
	0.0	9,41	2,60	9,27	2,63	9,13	2,66	9,07	2,67	8,99	2,68	8,85	2,71
	6.0	10,78	2,75	10,63	2,78	10,50	2,81	10,43	2,82	10,37	2,84	10,22	2,87
	10.0	11,69	2,86	11,55	2,88	11,41	2,91	11,34	2,93	11,27	2,94	11,14	2,97
	15.0	12,83	2,98	12,69	3,01	12,55	3,04	12,48	3,05	12,17	3,07	11,49	3,09

Symbols

- TC: Total capacity [kW]
- PI: Power input [kW]
- ① Indoor unit combinations
- ② Outdoor air temperature [°C DB]
- ③ Outdoor air temperature [°C WB]

Notes

- The capacities are based on the following conditions:
Corresponding refrigerant piping length: 5 m
Level difference: 0m
- The bold cells indicate the standard conditions.
- The values above are for connecting with the following indoor unit types:
FBA-A(9) series

4D155737A

5MWXM90A9

Cooling 50Hz 230V

①	②	Indoor air temperature [°C WB]											
		14°C		16°C		18°C		19°C		22°C		24°C	
		TC	PI	TC	PI	TC	PI	TC	PI	TC	PI	TC	PI
		kW	kW	kW	kW	kW	kW	kW	kW	kW	kW	kW	
7.1	22.0	5,85	1,42	6,74	1,63	7,70	1,89	8,13	1,91	8,50	1,95	8,75	1,97
	25.0	5,85	1,48	6,74	1,71	7,70	1,99	7,97	1,95	8,34	1,99	8,60	2,01
	32.0	5,85	1,62	6,74	1,92	7,43	2,06	7,59	2,08	7,99	2,13	8,25	2,18
	35.0	5,85	1,71	6,74	2,02	7,24	2,15	7,40	2,16	7,84	2,22	8,09	2,26
	40.0	5,85	1,86	6,59	2,25	6,91	2,29	7,07	2,30	7,55	2,36	7,84	2,40
	43.0	5,85	1,97	6,40	2,34	6,72	2,38	6,88	2,40	7,37	2,43	7,69	2,46
	46.0	5,85	2,10	6,18	2,43	6,50	2,45	6,67	2,46	7,16	2,49	7,48	2,51
10.0	22.0	9,03	2,05	10,49	2,68	10,92	2,74	11,14	2,76	11,80	2,86	12,23	2,91
	25.0	9,03	2,26	10,23	2,79	10,66	2,84	10,88	2,88	11,53	2,96	11,95	3,02
	32.0	9,03	2,91	9,61	3,06	10,04	3,11	10,26	3,14	10,91	3,22	11,35	3,28
	35.0	8,90	3,12	9,34	3,18	9,78	3,24	10,00	3,26	10,65	3,35	11,08	3,41
	40.0	8,46	3,34	8,90	3,40	9,34	3,45	9,56	3,48	10,21	3,56	10,65	3,62
	43.0	8,20	3,47	8,65	3,53	9,08	3,59	9,30	3,62	9,96	3,70	10,40	3,76
	46.0	7,84	3,57	8,35	3,68	8,79	3,73	9,01	3,76	9,67	3,85	10,10	3,89
12.5	22.0	9,97	2,41	10,70	2,65	11,14	2,71	11,36	2,74	12,03	2,83	12,48	2,88
	25.0	9,97	2,68	10,43	2,76	10,87	2,82	11,09	2,85	11,76	2,93	12,19	2,99
	32.0	9,35	2,97	9,80	3,03	10,24	3,08	10,47	3,11	11,13	3,19	11,58	3,25
	35.0	9,08	3,09	9,53	3,15	9,97	3,21	10,20	3,23	10,86	3,32	11,31	3,38
	40.0	8,63	3,31	9,08	3,36	9,53	3,42	9,75	3,45	10,41	3,53	10,86	3,59
	43.0	8,37	3,44	8,82	3,50	9,27	3,56	9,49	3,58	10,16	3,67	10,61	3,72
	46.0	8,02	3,05	8,43	3,05	8,83	3,05	9,03	3,05	9,70	3,05	10,12	3,05

Heating 50Hz 230V

①	③	Indoor air temperature [°C DB]											
		16°C		18°C		20°C		21°C		22°C		24°C	
		TC	PI	TC	PI	TC	PI	TC	PI	TC	PI	TC	PI
		kW	kW	kW	kW	kW	kW	kW	kW	kW	kW	kW	
7.1	-15.0	6,19	2,64	6,10	2,66	5,97	2,67	5,89	2,68	5,81	2,69	5,68	2,71
	-10.0	6,86	2,65	6,78	2,67	6,70	2,68	6,66	2,69	6,62	2,71	6,53	2,72
	-5.0	7,77	2,82	7,68	2,84	7,60	2,86	7,56	2,87	7,48	2,85	7,36	2,73
	0.0	9,76	3,63	9,63	3,51	9,51	3,38	9,45	3,32	9,42	3,26	9,18	3,14
	6.0	10,98	3,82	10,85	3,70	10,70	3,58	10,62	3,52	10,52	3,46	10,43	3,34
	10.0	10,76	3,32	10,63	3,22	10,49	3,13	10,44	3,08	10,37	3,03	10,01	2,93
	15.0	10,59	2,78	10,27	2,70	10,13	2,62	9,95	2,59	9,78	2,55	9,55	2,47
10.0	-15.0	6,29	2,32	6,14	2,35	6,00	2,38	5,92	2,39	5,85	2,40	5,70	2,43
	-10.0	7,48	2,45	7,33	2,48	7,18	2,50	7,11	2,52	7,05	2,53	6,90	2,56
	-5.0	8,67	2,58	8,53	2,61	8,38	2,63	8,31	2,65	8,23	2,66	8,09	2,69
	0.0	9,86	2,71	9,71	2,74	9,57	2,76	9,49	2,78	9,43	2,79	9,28	2,82
	6.0	11,29	2,86	11,15	2,89	11,00	2,92	10,93	2,93	10,85	2,95	10,71	2,98
	10.0	12,24	2,97	12,10	3,00	11,95	3,02	11,89	3,04	11,67	3,04	11,48	2,85
	15.0	13,44	3,10	13,08	3,09	12,73	2,92	12,66	2,90	12,24	2,88	11,64	2,83
12.5	-15.0	6,54	2,35	6,39	2,38	6,25	2,40	6,18	2,41	6,11	2,42	5,95	2,45
	-10.0	7,74	2,46	7,60	2,49	7,45	2,52	7,38	2,54	7,31	2,55	7,15	2,57
	-5.0	8,95	2,59	8,80	2,62	8,66	2,65	8,58	2,67	8,51	2,68	8,36	2,71
	0.0	10,15	2,72	10,00	2,75	9,86	2,78	9,79	2,80	9,71	2,81	9,56	2,84
	6.0	11,62	2,88	11,47	2,91	11,30	2,94	11,23	2,96	11,16	2,97	11,01	2,93
	10.0	12,60	2,99	12,45	3,02	12,30	3,01	12,22	2,99	12,15	2,93	12,00	2,67
	15.0	13,82	3,04	13,68	2,94	13,53	2,71	13,38	2,59	13,03	2,49	12,31	2,27

Notes

- The capacities are based on the following conditions:
Corresponding refrigerant piping length: 5 m
Level difference: 0m
- The bold cells indicate the standard conditions.
- The values above are for connecting with the following indoor unit types:
FBA-A(9) series

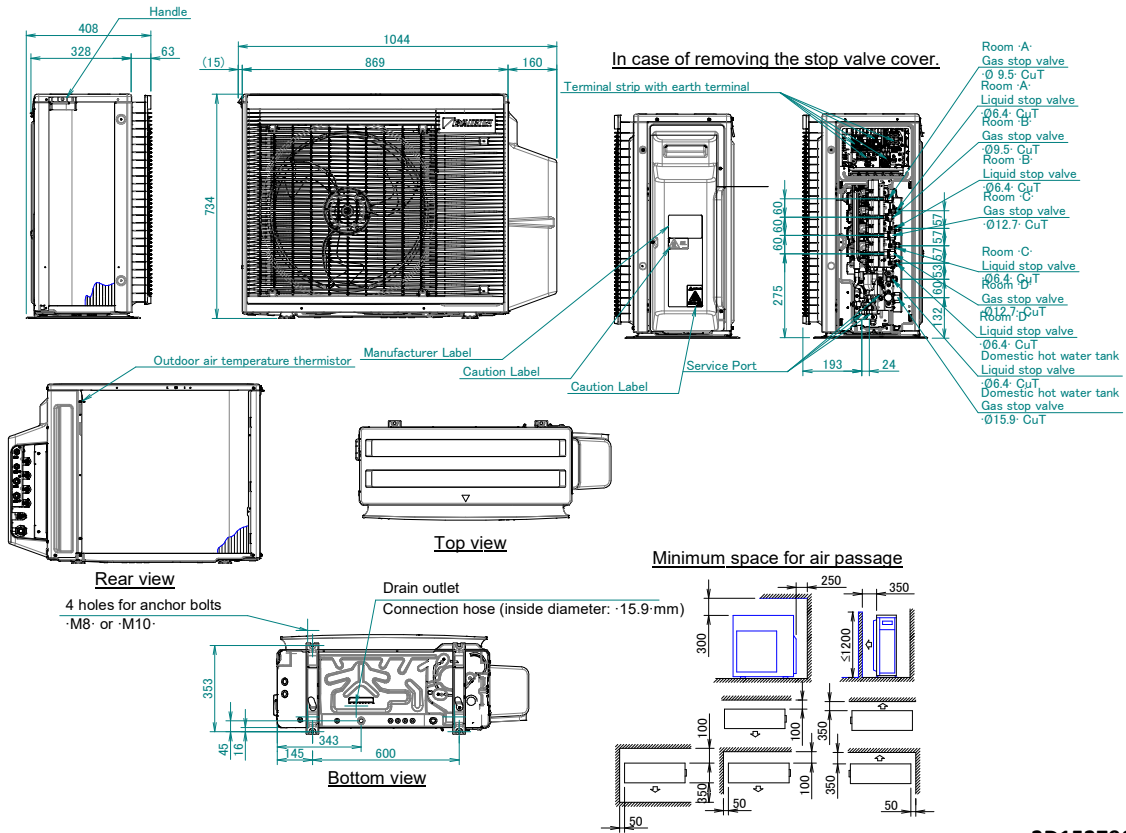
4D155738A

5 Dimensional drawings

5 - 1 Dimensional Drawings

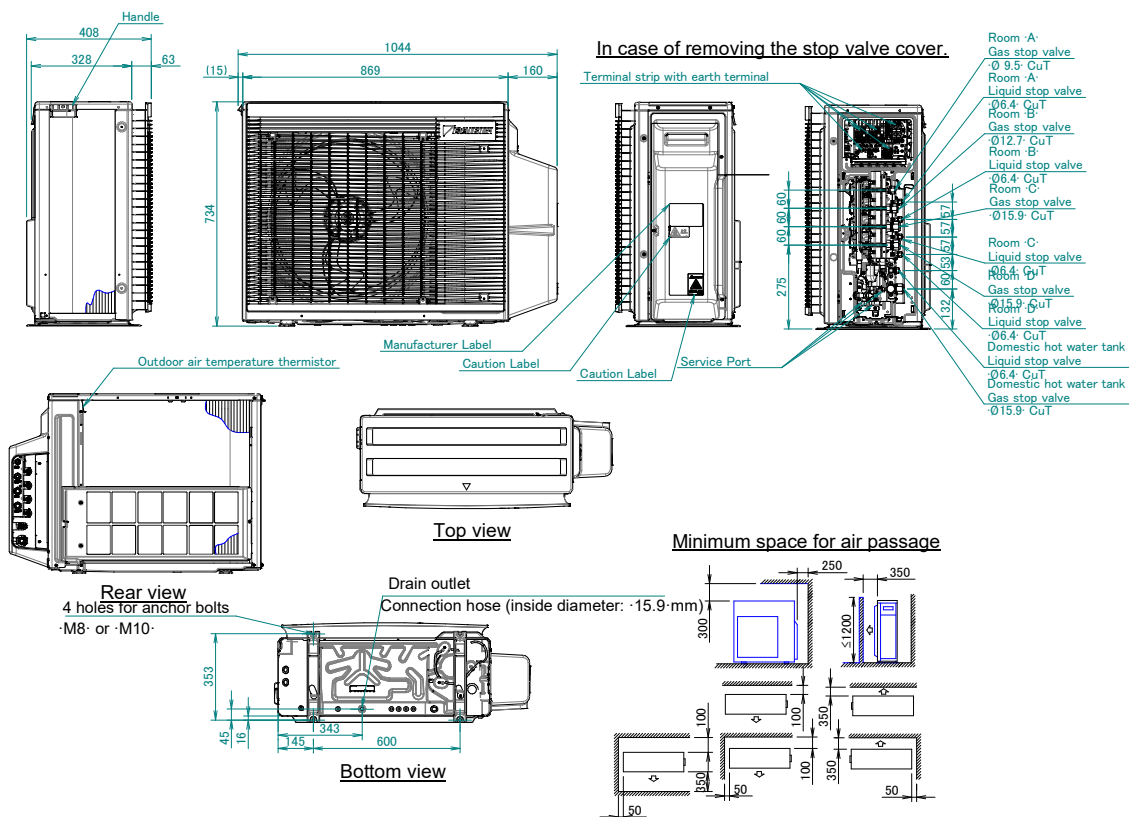
5

5MWXM68A9



3D152796

5MWXM90A9

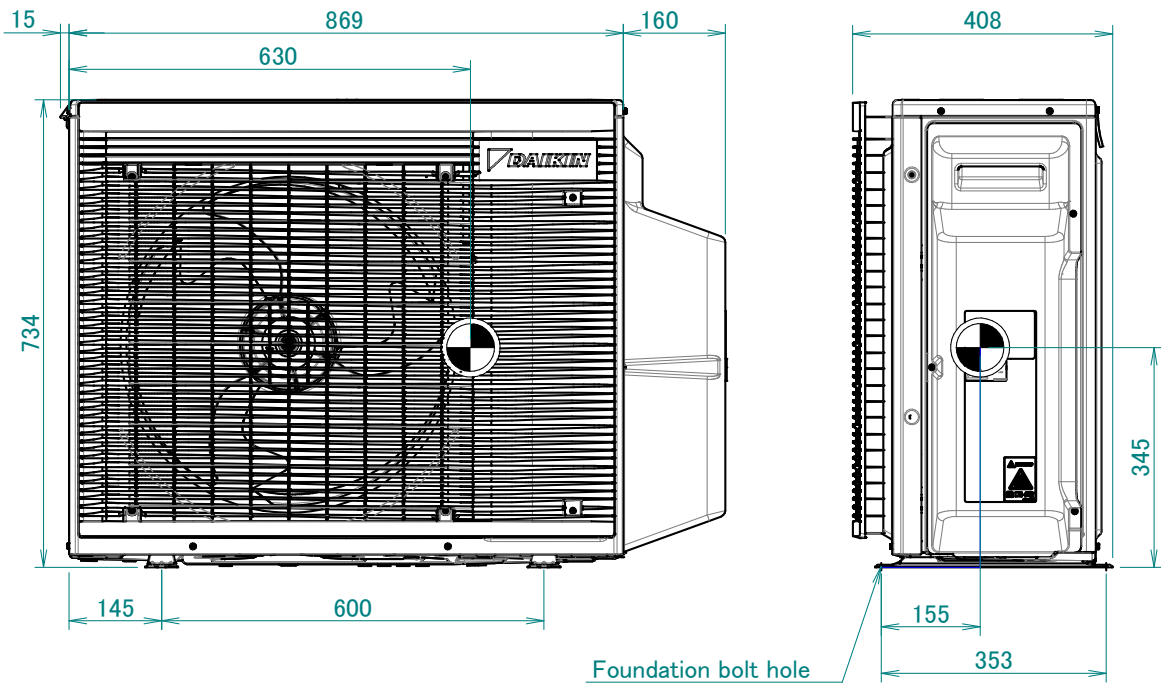


3D152794

6 Centre of gravity

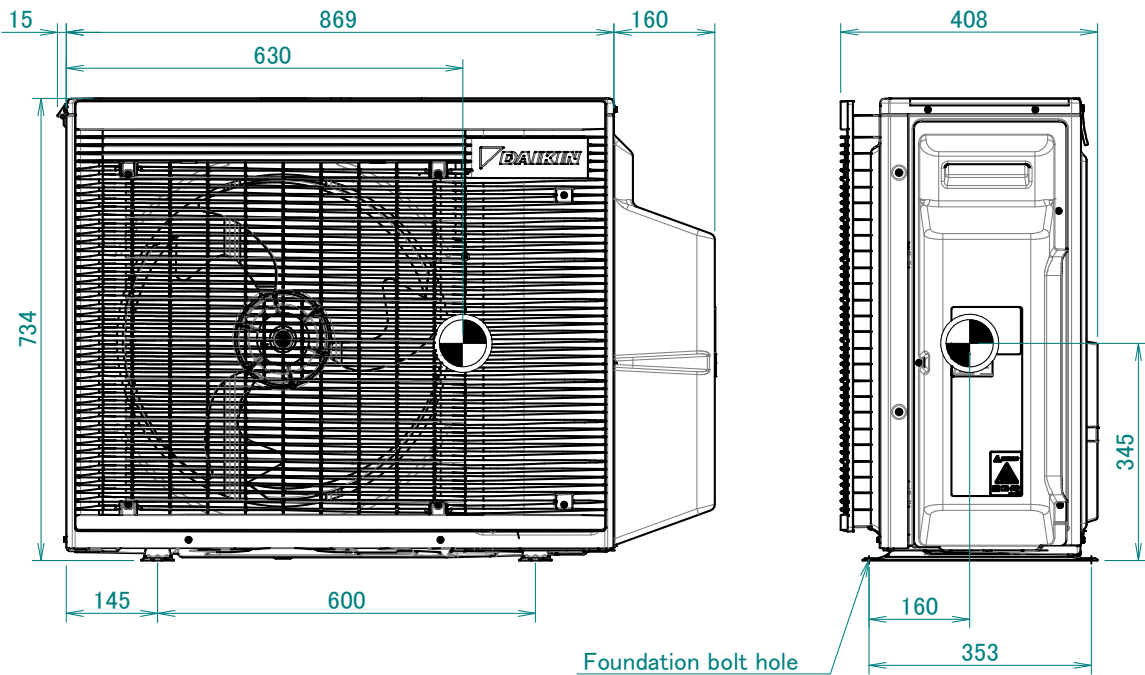
6 - 1 Centre of Gravity

5MWXM68A9



3D155971

5MWXM90A9



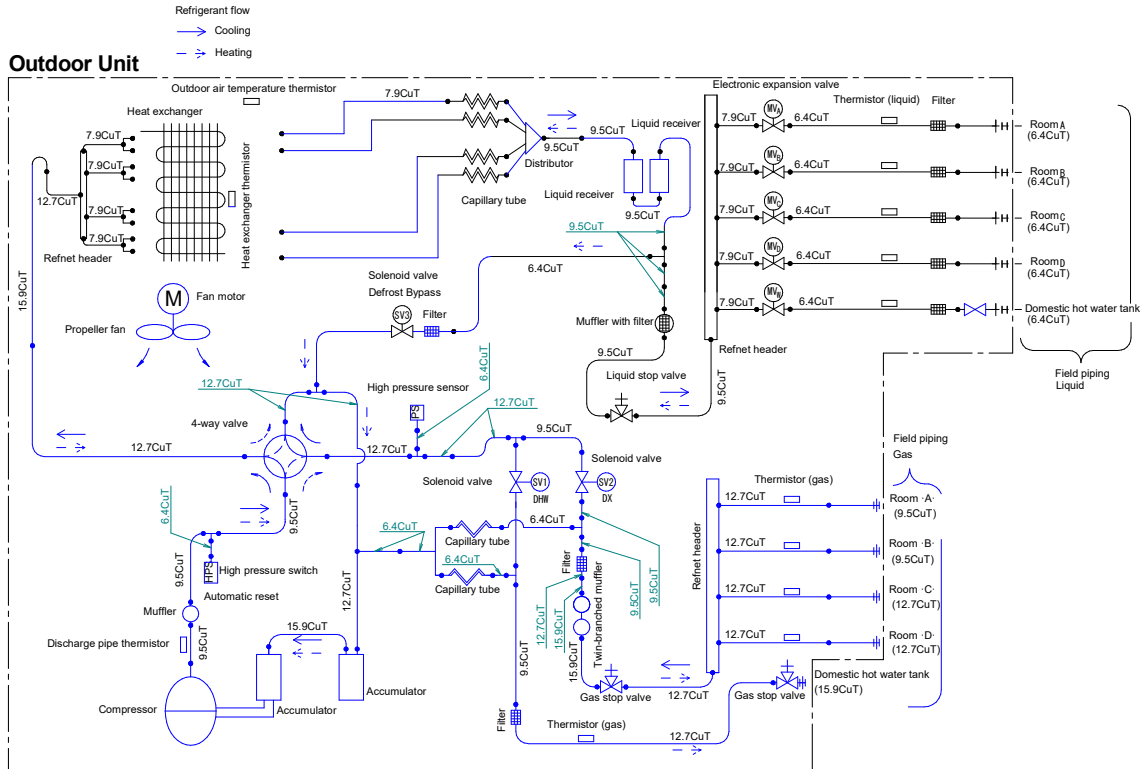
3D155969

7 Piping diagrams

7 - 1 Piping Diagrams

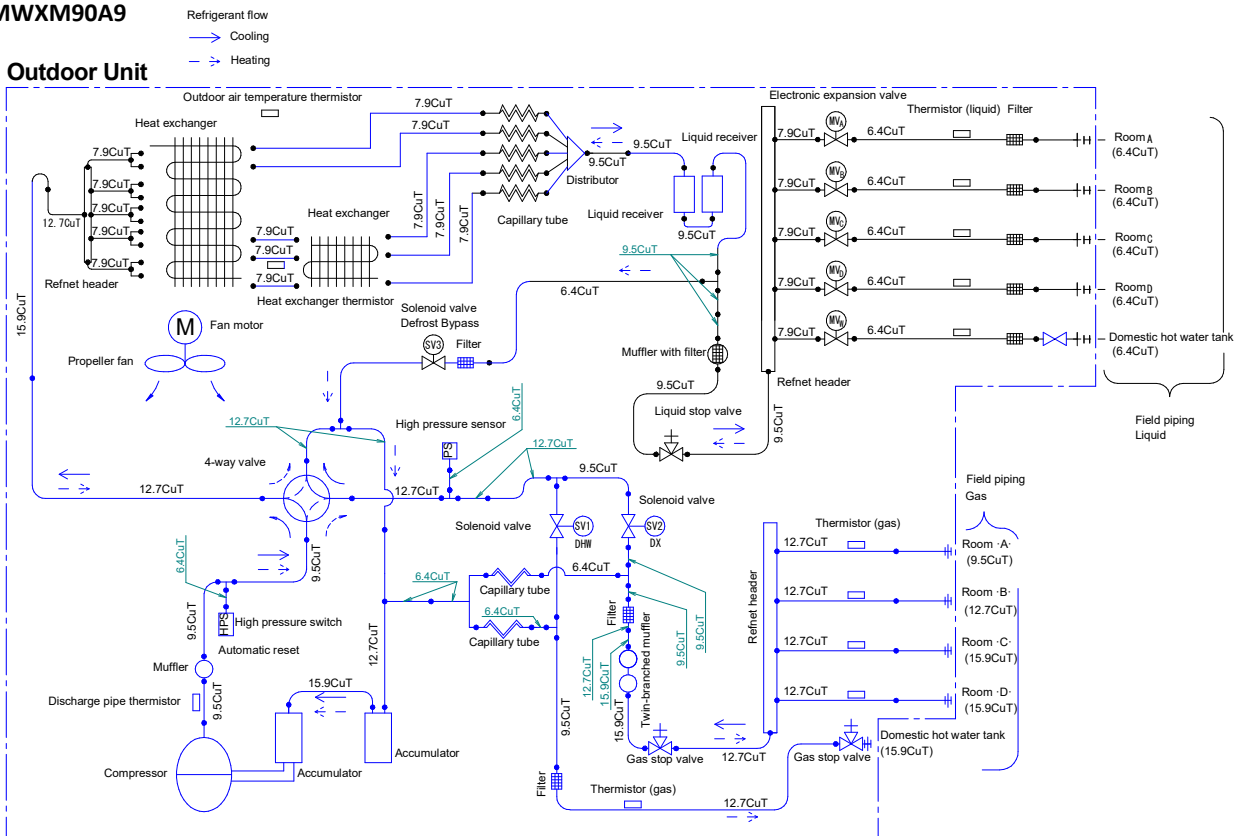
7

5MWXM68A9



3D154612

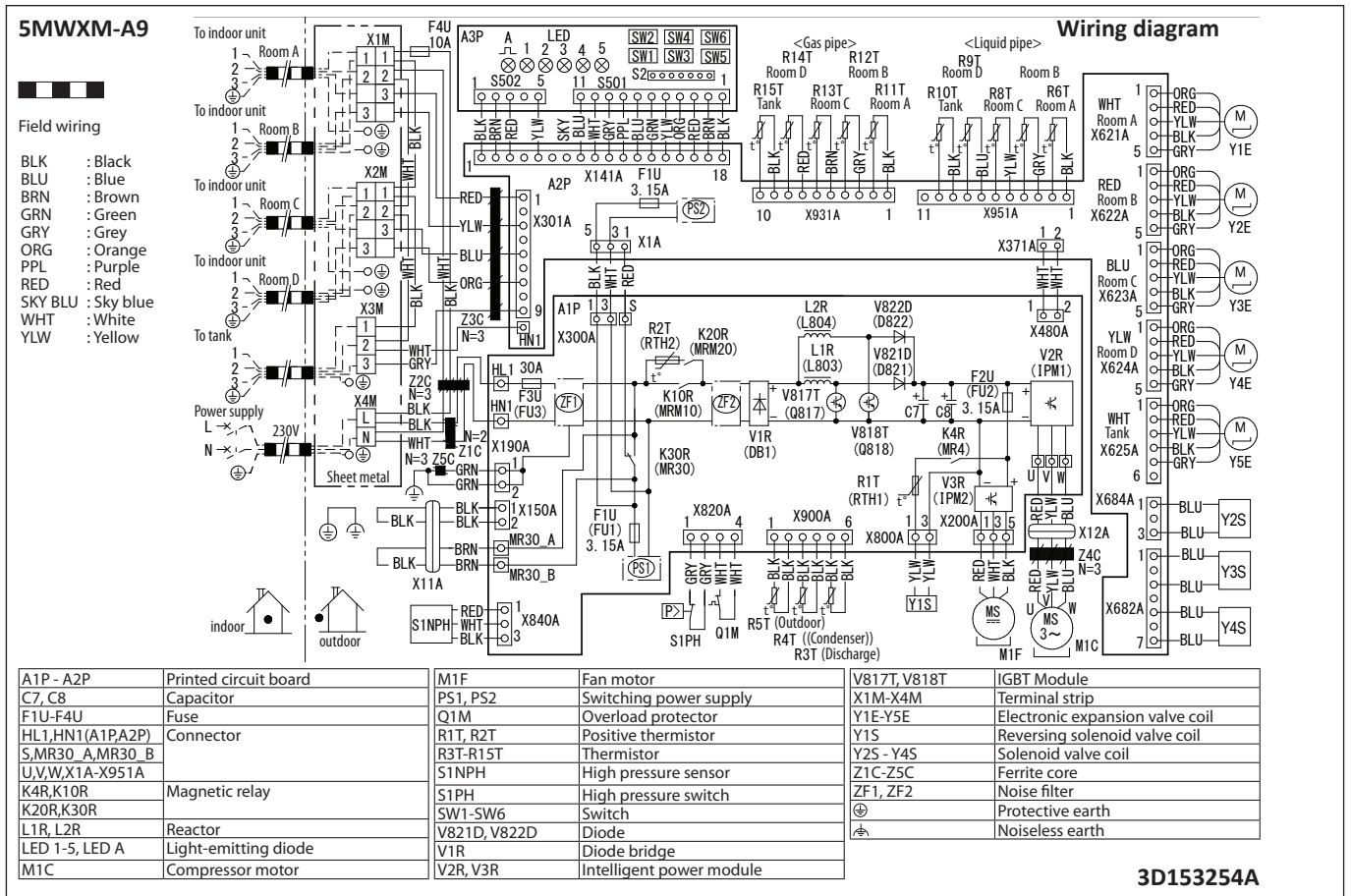
5MWXM90A9



3D154611

8 Wiring diagrams

8 - 1 Wiring Diagrams - Three Phase



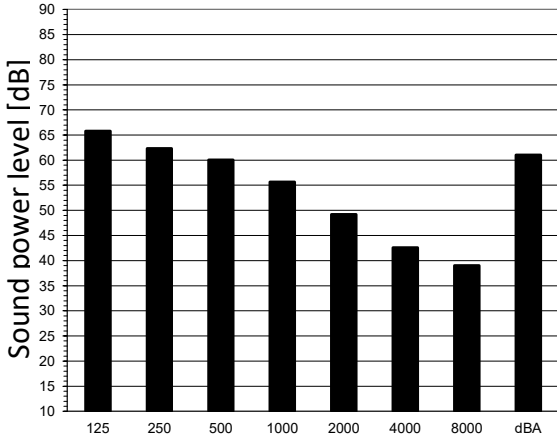
9 Sound data

9 - 1 Sound Power Spectrum

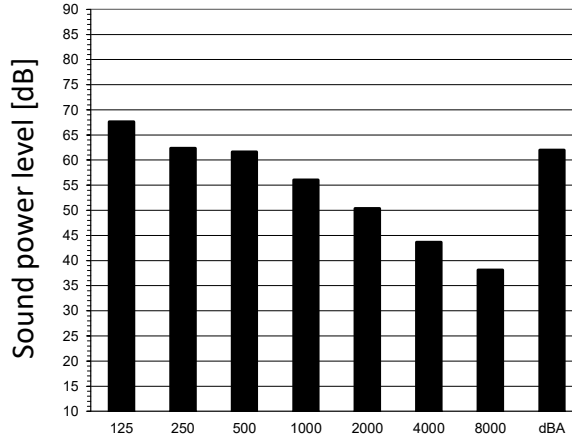
9

5MWXM68A9

Cooling



Heating



Octave band centre frequency [Hz]

Octave band centre frequency [Hz]

Fan speed: High

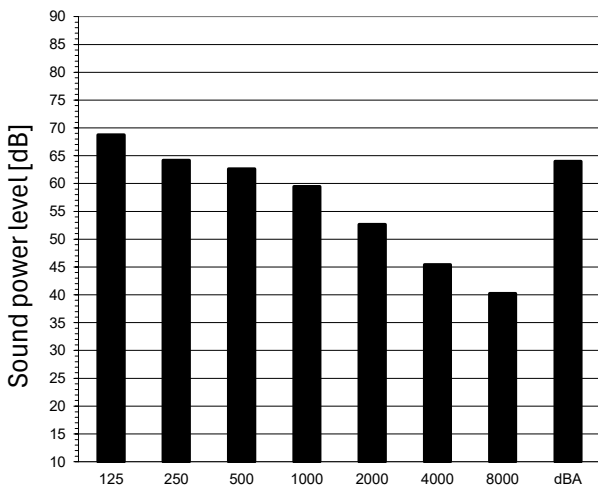
Notes

1. dBA = A-weighted sound power level (A scale according to IEC).
2. Reference acoustic intensity 0dB = 10^{-12} W/m².
3. Measured according to ISO 3744

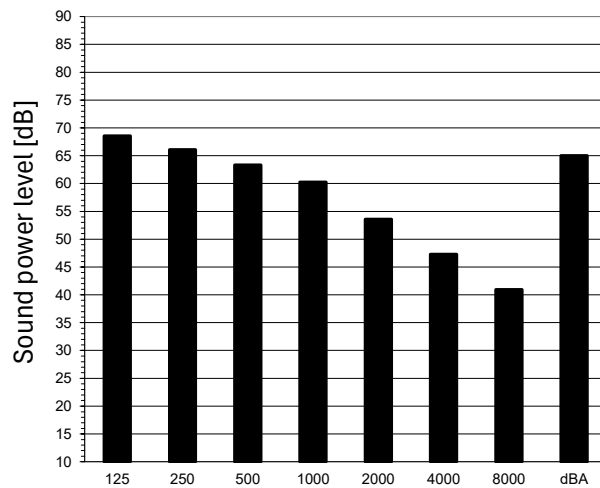
4D156271A

5MWXM90A9

Cooling



Heating



Octave band centre frequency [Hz]

Octave band centre frequency [Hz]

Fan speed: High

Notes

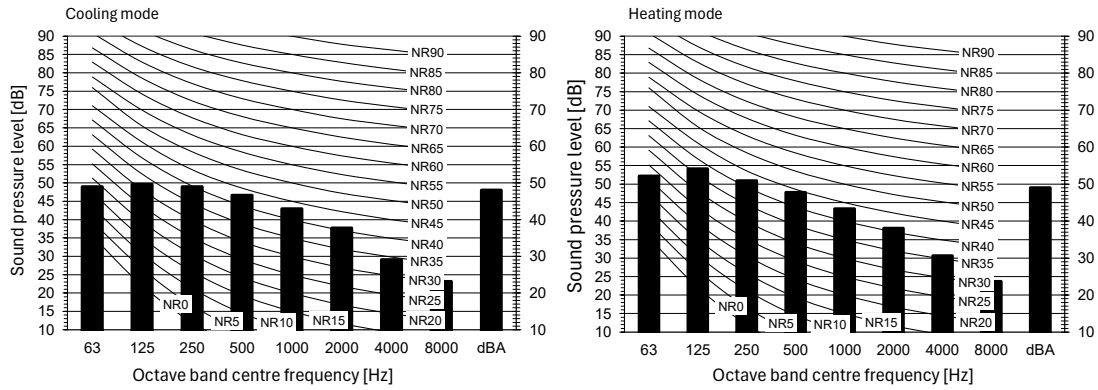
1. dBA = A-weighted sound power level (A scale according to IEC).
2. Reference acoustic intensity 0dB = 10^{-12} W/m².
3. Measured according to ISO 3744

4D156274

9 Sound data

9 - 2 Sound Pressure Spectrum

5MWXM68A9



Legend

dBA = A-weighted sound pressure level (A scale according to IEC).

A Scale
 B Fan speed: High

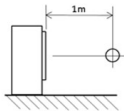
Cooling Total dB

A	B
dBA	48

Heating Total dB

A	B
dBA	49

Location of microphone

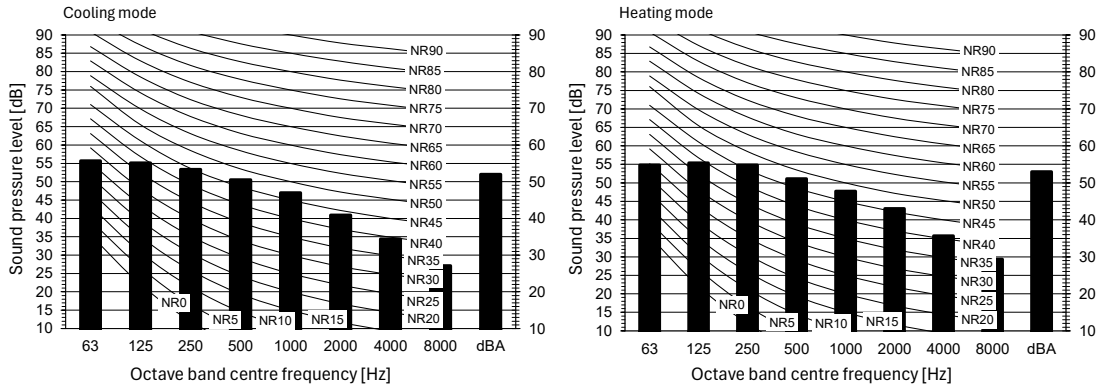


Notes

1. Operating conditions: power source 220-240 V/220 V 50/60 Hz; JIS standard
2. Background noise already taken into account.
3. Operating noise varies depending on operation and ambient conditions.
4. The operation noise measuring method is in accordance with JISC9612.
5. Measuring location: anechoic chamber
6. The values mentioned in this document are for connecting with the following 1.5, 2.0, 2.5, 3.5, 4.2, 5.0, 6.0 kW Class

4D156270

5MWXM90A9



Legend

dBA = A-weighted sound pressure level (A scale according to IEC).

A Scale
 B Fan speed: High

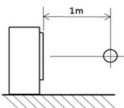
Cooling Total dB

A	B
dBA	52

Heating Total dB

A	B
dBA	53

Location of microphone



Notes

1. Operating conditions: power source 220-240 V/220 V 50/60 Hz; JIS standard
2. Background noise already taken into account.
3. Operating noise varies depending on operation and ambient conditions.
4. The operation noise measuring method is in accordance with JISC9612.
5. Measuring location: anechoic chamber
6. The values mentioned in this document are for connecting with the following 1.5, 2.0, 2.5, 3.5, 4.2, 5.0, 6.0, 7.1 kW Class

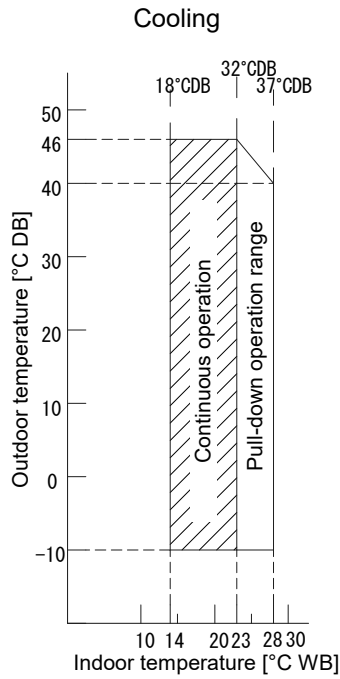
4D156273

10 Operation range

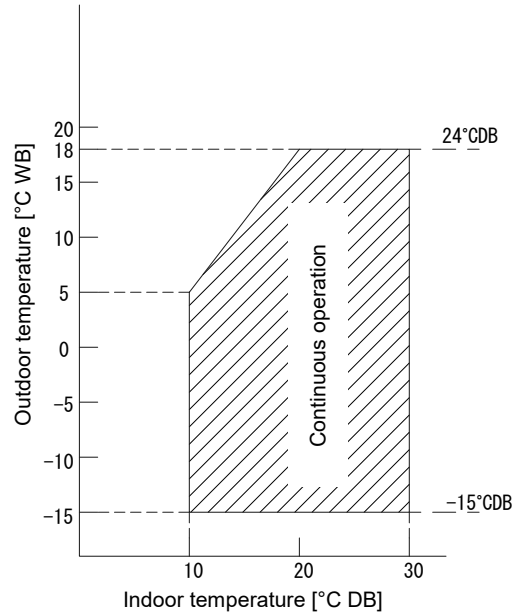
10 - 1 Operation Range

10

5MWXM-A9



Heating

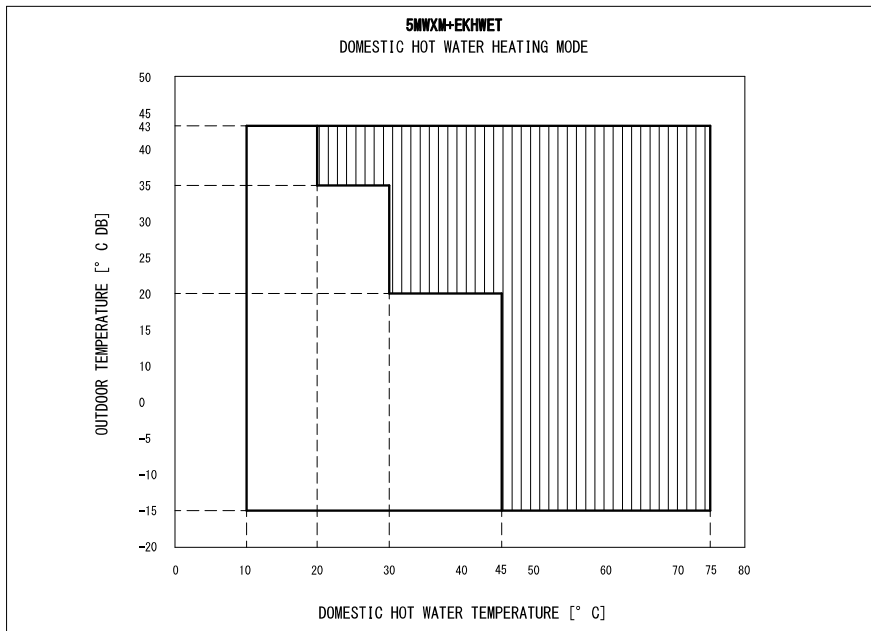


Notes

- 1. The graph is based on the following conditions.
 Corresponding refrigerant piping length: 5 m
 Level difference: 0 m
 Air flow rate High

3D101376D

5MWXM-A9



Legend: Booster heater only operation.

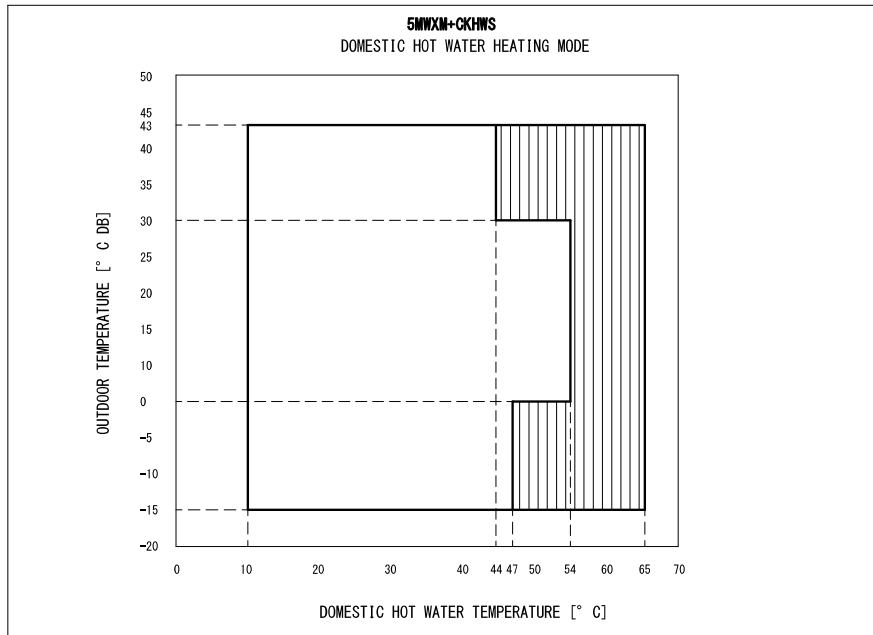
- 1. The graph is based on the following conditions.
 Corresponding refrigerant piping length: 5 m
 Level difference: 0 m

3D155866

10 Operation range

10 - 1 Operation Range

5MWXM-A9

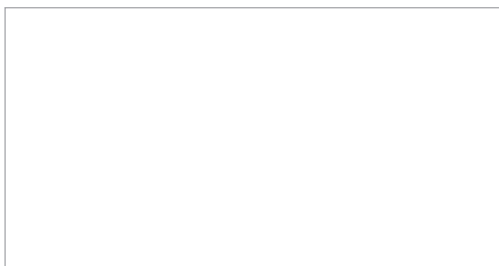


Legend: Booster heater only operation.

- The graph is based on the following conditions.
Corresponding refrigerant piping length: 5 m
Level difference: 0 m

3D155868

Daikin Europe N.V. Naamloze Vennootschap · Zandvoordestraat 300 · 8400 Oostende · Belgium · www.daikin.eu · BE 0412 120 336 · RPR Oostende (Responsible Editor)



Daikin Europe N.V. participates in the ECP programmes for Fan Coil Units and Variable Refrigerant Flow systems. Daikin Applied Europe S.p.A. participates in the ECP programmes for Liquid Chilling Packages and Hydronic Heat Pumps. Check ongoing validity of certificate: www.eurovent-certification.com

EEEN25B 09/2025



The present leaflet is drawn up by way of information only and does not constitute an offer binding upon Daikin Europe N.V. Daikin Europe N.V. has compiled the content of this leaflet to the best of its knowledge. No express or implied warranty is given for the completeness, accuracy, reliability or fitness for particular purpose of its content and the products and services presented therein. Specifications are subject to change without prior notice. Daikin Europe N.V. explicitly rejects any liability for any direct or indirect damage, in the broadest sense, arising from or related to the use and/or interpretation of this leaflet. All content is copyrighted by Daikin Europe N.V.